



SORAA BRILLIANT HL™

The Soraa Brilliant HL single-source COB lamp combines Soraa's world-class optics design and driver technology with a photopically efficacious LED

SORAA POINT SOURCE OPTICS™

With a point source and sophisticated folded optics, Soraa creates very controlled beam angles from 9 to 60 degrees, even in challenging form factors resulting in smooth uniform beams and crisp shadows

FLICKER

Soraa lamps demonstrate low levels of flicker in both dimmed and undimmed states

ENERGY EFFICIENCY AND LONG LIFE

85% more energy efficient than standard halogen lamps
 Typical payback of one year or less
 Rated lifetime to L70: 35,000hrs
 Warranty: 3yrs or 25,000hrs whichever comes first

CERTIFICATIONS

Title 20 certification pending, RoHS, CE, UL/CUL, FCC Title 47 Part 15B



RoHS



| | |
|------------------|--|
| Output Range | 1190 - 1230 lumen |
| Beam Angle Range | 9°, 25°, 36°, 60° |
| Color Metrics | CCT: 2700K, 3000K Color Rendering CIE Metrics: CRI 92, R9 50 |
| Application | Halogen replacement for indoor and outdoor |



HIGHLY COMPATIBLE

Thermally and geometrically compatible with standard fixtures and suitable for damp locations
 Suitable for fully enclosed fixtures. Can be used with front glass cover
 Works with trailing edge and leading edge phase cut dimmers

INTENDED USE AND APPLICATIONS

Intended for use in PAR30S compatible recessed downlights, track lighting and other indoor and outdoor applications
 Soraa lamps are designed to safely turn down in any thermal environment not conducive to minimum airflow or proper ventilation

GENERAL SPECIFICATIONS

Form Factor

Width: 96mm (3.78")
 Height: 82mm (3.23")
 Weight: 269g

Operating Temperature

Minimum: -40°C (ambient)
 Typical: 60°C - 70°C (base)
 Maximum: 80°C (base)

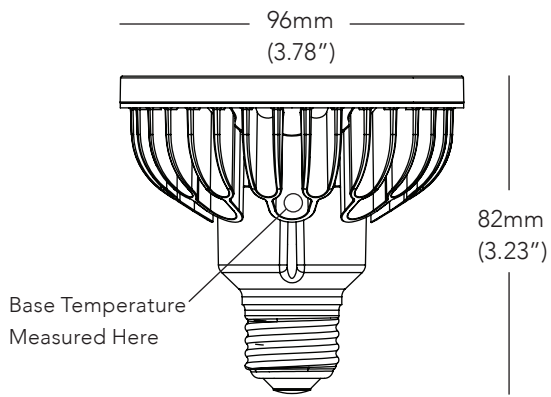
Electrical

Wattage: 14W
 Power factor: 0.97
 Voltage: 120V +/- 12V
 Frequency: 50/60Hz

Dimming

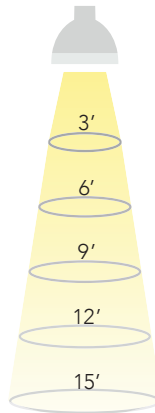
Dimmable to <20%

DIMENSIONS



9 DEGREE BEAM

| Beam Dia at 50% CBCP (ft) | Field Dia at 10% CBCP (ft) | Foot-candles (% of CBCP) |
|---------------------------|----------------------------|--------------------------|
| 0.5 | 0.8 | 8.6% |
| 0.9 | 1.7 | 2.5% |
| 1.4 | 2.5 | 1.2% |
| 1.9 | 3.4 | 0.7% |
| 2.4 | 4.2 | 0.4% |

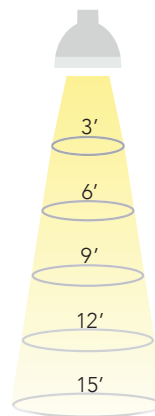


25 DEGREE BEAM

| Beam Dia at 50% CBCP (ft) | Field Dia at 10% CBCP (ft) | Foot-candles (% of CBCP) |
|---------------------------|----------------------------|--------------------------|
| 1.3 | 2.2 | 8.6% |
| 2.7 | 4.4 | 2.5% |
| 4.0 | 6.6 | 1.2% |
| 5.3 | 8.7 | 0.7% |
| 6.7 | 10.9 | 0.4% |

36 DEGREE BEAM

| Beam Dia at 50% CBCP (ft) | Field Dia at 10% CBCP (ft) | Foot-candles (% of CBCP) |
|---------------------------|----------------------------|--------------------------|
| 1.9 | 3.5 | 8.6% |
| 3.9 | 6.9 | 2.5% |
| 5.8 | 10.4 | 1.2% |
| 7.8 | 13.9 | 0.7% |
| 9.7 | 17.3 | 0.4% |



60 DEGREE BEAM

| Beam Dia at 50% CBCP (ft) | Field Dia at 10% CBCP (ft) | Foot-candles (% of CBCP) |
|---------------------------|----------------------------|--------------------------|
| 3.5 | 6.0 | 8.6% |
| 6.9 | 12.0 | 2.5% |
| 10.4 | 18.0 | 1.2% |
| 13.9 | 24.0 | 0.7% |
| 17.3 | 30.0 | 0.4% |

Note: Footcandles may be calculated by multiplying the CBCP of the desired model number by the percentage in the tables above

| Model # | Product Code | CCT (K) | Beam Angle | Field Angle | CBCP (Cd) | Halogen Equiv | Total Flux (Lm) | Efficacy (Lm/W) | CRI | McA | Title 20 |
|----------------------------|--------------|-------------|------------|-------------|-------------|---------------|-----------------|-----------------|-----------|----------|----------------|
| BRILLIANT HL SERIES | | | | | | | | | | | |
| SP30S-14-9D-827-H1 | 08825 | 2700 | 9 | 16 | 22015 | 100 | 1190 | 87 | 92 | 3 | pending |
| SP30S-14-25D-827-H1 | 08829 | 2700 | 25 | 40 | 6425 | 100 | 1190 | 87 | 92 | 3 | pending |
| SP30S-14-36D-827-H1 | 08833 | 2700 | 36 | 60 | 2975 | 100 | 1190 | 87 | 92 | 3 | pending |
| SP30S-14-60D-827-H1 | 08837 | 2700 | 60 | 90 | 1310 | 100 | 1190 | 87 | 92 | 3 | pending |
| SP30S-14-9D-830-H1 | 08827 | 3000 | 9 | 16 | 22755 | 100 | 1230 | 90 | 92 | 3 | pending |
| SP30S-14-25D-830-H1 | 08831 | 3000 | 25 | 40 | 6640 | 100 | 1230 | 90 | 92 | 3 | pending |
| SP30S-14-36D-830-H1 | 08835 | 3000 | 36 | 60 | 3075 | 100 | 1230 | 90 | 92 | 3 | pending |
| SP30S-14-60D-830-H1 | 08839 | 3000 | 60 | 90 | 1350 | 100 | 1230 | 90 | 92 | 3 | pending |

CCT: Correlated Color Temperature **McA**: White Point Accuracy in McA step **SNAP**: SORAA SNAP System Compatible

*Specifications are at stable warm operating conditions (25°C ambient)

