



**SORAA BRILLIANT HL™**

The Soraa Brilliant HL single-source COB lamp combines Soraa's world-class optics design and driver technology with a photopically efficacious LED

**SORAA POINT SOURCE OPTICS™**

With a point source and sophisticated folded optics, Soraa creates a very controlled beam angle at 10 degrees, even in challenging form factors resulting in smooth uniform beams and crisp shadows

**FLICKER**

Soraa lamps demonstrate low levels of flicker in both dimmed and undimmed states

**ENERGY EFFICIENCY AND LONG LIFE**

85% more energy efficient than standard halogen lamps

Typical payback of one year or less

Rated lifetime to L70: 35,000hrs

Warranty: 3yrs or 25,000hrs whichever comes first

Warranty information: [soraa.com/resources/legal](http://soraa.com/resources/legal)

**CERTIFICATIONS**

Title 20 certification pending\*, RoHS, CE, UL/CUL, FCC Title 47 Part 15B



**RoHS**



Output Range	700 - 730 lumen
Beam Angle Range	10°
Color Metrics	CCT: 2700K, 3000K Color Rendering CIE Metrics: CRI 92, R9 50
Application	Halogen replacement for indoor and outdoor applications



**HIGHLY COMPATIBLE**

Thermally and geometrically compatible with standard fixtures and suitable for damp locations

Works with trailing edge and leading edge phase cut dimmers

**INTENDED USE AND APPLICATIONS**

Intended for use in PAR20 compatible recessed downlights, track lighting and other indoor and outdoor applications

Soraa lamps are designed to safely turn down in any thermal environment not conducive to minimum airflow or proper ventilation

**GENERAL SPECIFICATIONS**

**Form Factor**

Width: 64mm (2.52")

Height: 77mm (3.04")

Weight: 160g

**Operating Temperature**

Minimum: -40°C (ambient)

Typical: 70°C - 80°C (base)

Maximum: 90°C (base)

**Electrical**

Wattage: 8.5W Power

factor: 0.92 Voltage:

120V +/- 12V

Frequency: 50/60Hz

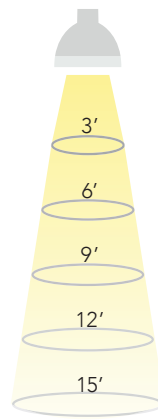
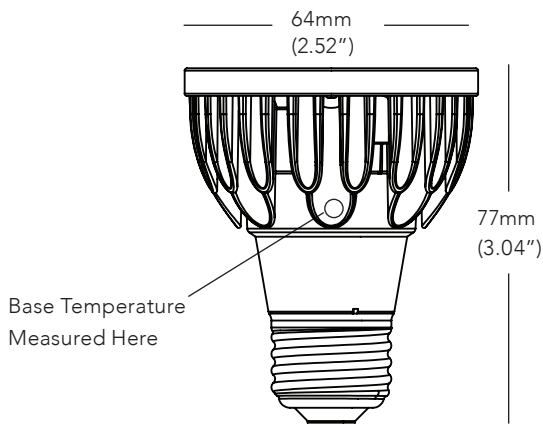
**Dimming**

Dimmable to <20%

\* Soraa Brilliant HL (PAR20, 8.5W, 10D, 2700K) lamp does not meet Title 20 compliance required for California

## DIMENSIONS

## 10 DEGREE BEAM



Beam Dia at 50% CBCP (ft)	Field Dia at 10% CBCP (ft)	Foot-candles (% of CBCP)
0.5	1.1	11.1%
1.0	2.1	2.8%
1.6	3.2	1.2%
2.1	4.2	0.7%
2.6	5.3	0.4%

Note: Footcandles may be calculated by multiplying the CBCP of the desired model number by the percentage in the tables above

## SPECIFICATIONS BY MODEL NUMBER\* SORAA LED PAR20 8.5W

Model #	Product Code	CCT (K)	Beam Angle	Field Angle	CBCP (Cd)	Halogen Equiv	Total Flux (Lm)	Efficacy (Lm/W)	CRI	McA	Title 20
<b>BRILLIANT HL SERIES</b>											
SP20-8-10D-827-H1	08793	2700	10	20	11020	90	700	83	92	3	-
SP20-8-10D-830-H1	08801	3000	10	20	11500	90	730	87	92	3	pending

**CCT:** Correlated Color Temperature **McA:** White Point Accuracy in McA step **SNAP:** SORAA SNAP System Compatible

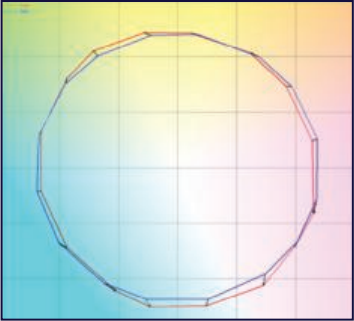
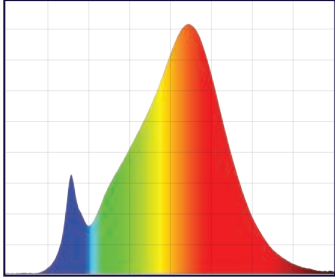
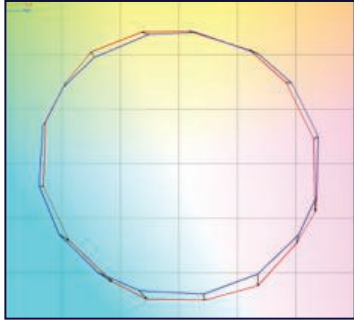
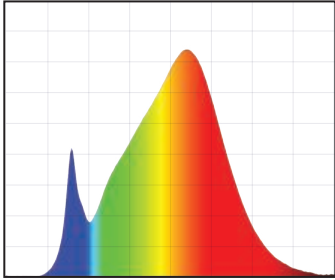
\* Specifications are at stable warm operating conditions (25°C ambient)

- Soraa Brilliant HL (PAR20, 8.5W, 10D, 2700K) lamp does not meet Title 20 compliance required for California

**SERIES/CCT**

**COLOR ACCURACY**

**SPECTRAL POWER DISTRIBUTION**

<p><b>BRILLIANT HL 2700K</b></p>	 <p><b>Rf: 90, Rg: 98, Rfh1: 85</b></p>	 <p>380 Wavelength (nm) 780</p> <p><b>CRI: 92, R9: 50</b></p>
<p><b>BRILLIANT HL 3000K</b></p>	 <p><b>Rf: 90, Rg: 98, Rfh1: 85</b></p>	 <p>380 Wavelength (nm) 780</p> <p><b>CRI: 92, R9: 50</b></p>

Rf: TM-30 metric measuring color fidelity (whether colors are similar to those under natural light). Rf is a more accurate version of the CRI Ra. Rf is 100 for natural light.  
 Rg: TM-30 metric measuring color gamut (whether colors are more saturated than under natural light). Rg is 100 for natural light.  
 Rfh1: TM-30 metric measuring color fidelity for red tones. Rfh1 is a more accurate version of the CRI R9. Rfh1 is 100 for natural light.