



# LED STRIP FIXTURE

LED Ready 1/2/4 T8 Fixture

Limitless Options  
for the following applications:

- Large Warehouse
- Retail Applications
- Commercial Buildings
- Work Areas



5 YEAR  
WARRANTY

we know light.™



## FEATURES

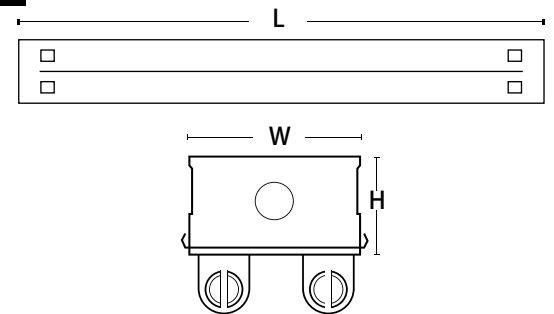
- Use 30% less energy than a traditional fluorescent fixture
- Die formed of 24 gauge galvanized steel, and rigidly fabricated
- All steel surfaces are painted after fabrication with high gloss baked white matte powder paint
- LED ready with non-shunted sockets
- Designed for pendant or chain mounting, adjustable cable

## SPECIFICATIONS

Item Number	TCP-10402	TCP-10403	TCP-10404	TCP-10405
TCP Model	88LT800043	88LT800044	88LT800045	88LT800046
Input Line Voltage	AC120/277V	AC120/277V	AC120/277V	AC120/277V
Input Line Frequency (Hz)	50/60Hz	50/60Hz	50/60Hz	50/60Hz
Lamp Type	T8 TypeB Bypass	T8 TypeB Bypass	T8 TypeB Bypass	T8 TypeB Bypass
Number of Lamps	1	2	2	4
Length	4feet	4feet	4feet	8feet
Operation	Single Ended	Single Ended	Double Ended	Single Ended
Housing	24Gauge C.R.S	24Gauge C.R.S	24Gauge C.R.S	24Gauge C.R.S
Base/Power Supply	Hard Wired	Hard Wired	Hard Wired	Hard Wired
Operating Temp. (fixture only)	-20°C ~50°C	-20°C ~50°C	-20°C ~50°C	-20°C ~50°C
Ingress Protection Rating	IP40	IP40	IP40	IP40
Warranty	5 year	5 year	5 year	5 year
Ratings	UL/cUL	UL/cUL	UL/cUL	UL/cUL

## DIMENSIONS

Item Number	L (inches)	W (inches)	H (inches)
TCP-10402 88LT00043	48.4	2.9	1.9
TCP-10403 88LT00044	48.4	4.4	2.1
TCP-10404 88LT00045	48.4	4.4	2.1
TCP-10405 88LT00046	96.8	4.4	2.1



## NOTICE

- UL certified tubes should be used.

# TECHNOLOGY CAST IN A BEAUTIFUL LIGHT

For over 20 years, TCP has been designing, developing and delivering energy-efficient lighting into the market. Thanks to our cutting-edge technology and manufacturing expertise, we have shipped billions of high quality lighting products. With TCP, you can count on a lighting product that is designed to meet the needs of the market—that transforms your surroundings and envelopes you in warmth—lighting that generates beauty with every flip of the switch.

