

LED GLASS TUBE T8 LAMP INSTALLATION INSTRUCTIONS

The basic Type number designation is described as follows:

T8040730E T8040735E T8040741E T8040750E
T8045330E T8045335E T8045341E T8045350E

Installation Instructions

PLUG and PLAY Procedure

1. Turn off the power to the light fixture at the breaker panel before installation.
2. Open the diffuser from the light fixture.
3. Remove the fluorescent tubes. Please dispose of these items properly as they contain mercury.
4. Put LED tube into the lighting fixture.
5. Install the LED tubes, close the diffuser.
6. Turn on the power

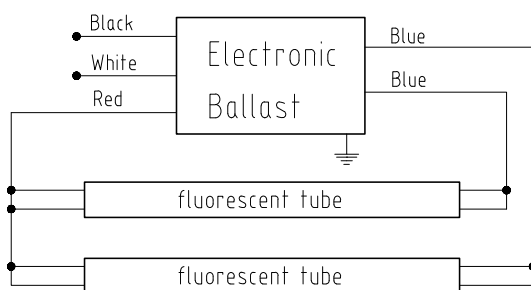


Fig.1 Before the installation

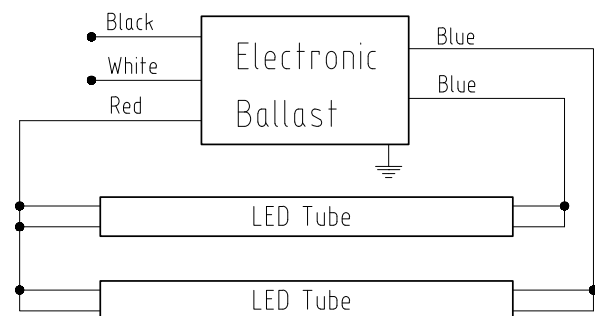


Fig.2 After replacing the LED Tube

Installation Instructions

Ballast by pass procedure

1. Turn off the power to the light fixture at the breaker panel before installation
2. Open the diffuser from the light fixture.
3. Remove the fluorescent tubes. Please dispose of these items properly as they contain mercury.
4. Cut the wires shown as the diagram below.
5. Make the new wire connect to branch circuit shown as the diagram below.
6. Replace the cover over the wiring channel.
7. Install the LED tubes, close the diffuser.
8. Turn on the power.

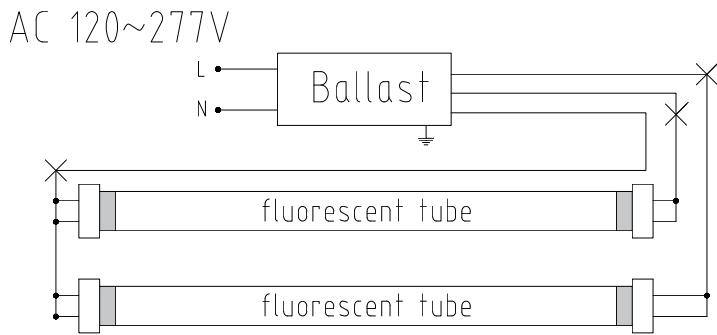


Fig.3 Before the installation

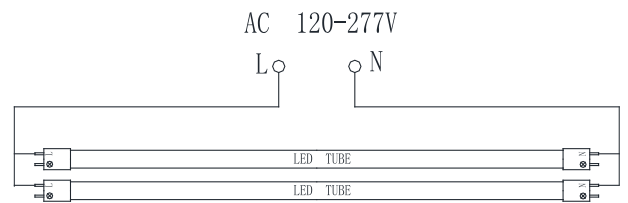



Fig.4 After replacing the LED Tube

<p>Typical Non-Shunted Lampholder</p>  <p>Connect wires directly to these terminals</p>	<p>CAUTION: Use only non-shunted lampholders.</p> <p>Do not install product in a fixture with shunted lampholders (found in all fixtures using instant start ballasts). If the current lampholders are shunted, remove them and replace them with non-shunted lampholders. Make new connections directly to terminals as indicated above.</p>
--	--

CAUTION:

WARNING: Risk of fire or electric shock. LED Retrofit Kit installation requires knowledge of luminaires electrical systems. If not qualified, do not attempt installation. Contact a qualified electrician

WARNING: Risk of fire or electric shock. Install this kit only in the luminaires that have the construction features and dimensions shown in the photographs and/or drawings.

WARNING: TO prevent wiring damage or abrasion, do not expose wiring to edges of sheet metal or other sharp objects.

WARNING: Do not make or alter any open holes in an enclosure of wiring or electrical components during kit installation

CONSULT A QUALIFIED ELECTRICIAN TO ENSURE CORRECT BRANCH CONDUCTOR