

LED

Linear High Bay



FEATURES

- Up to 70% in energy savings
- Lasts up to 60,000 hours
- 2 LED module fixture
- UL File Number E484679
- 0-10V Dimming



SKU#	Kelvin	Lumens	Size	Wattage	Voltage	DLC?	Mounting	Life Hours	Warranty
PLT-11076-5K	5000	13,000	4 ft.	100	100-277	No	Ceiling	60,000	3 Years

ADDITIONAL PHOTOS



FEATURES

- Lightweight module design
- LED driver included
- Frosted Lens

SPECIFICATIONS

DIMMABLE	YES
DLC LISTED	No
SAFETY RATING	UL
CRI	80
COLOR	DAYLIGHT WHITE
COLOR TEMPERATURE	5000K
LIFE HOURS	60,000
WATTAGE	100 WATTS
LUMENS	13,000
VOLTAGE	100-277
FINISH.....	WHITE
HOUSING	ALUMINUM
MOUNTING	SUSPENDED
LENS	FROSTED
LENGTH	45.8 IN.
HEIGHT	2.95 IN.
WIDTH	12.73 IN.
WEIGHT	14.5 LBS.

TYPICAL APPLICATIONS

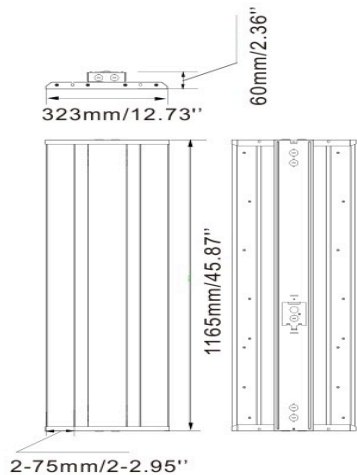
- Schools, Factories, Supermarkets
- Offices, Conference Rooms
- Distribution Centers

WARRANTY

Warranty

3 Years

DIMENSIONS



100W 2 module