



LED ET8-3150H-18

Part #: ELT8/P/18W/2300/270D/50K/G13/HD/A+B Lamp Class: T8 (4 ft.)



Nano-plastic composites deliver splendid light distribution without compromising brightness or producing undesirable glare.



Product Description

A smart energy-saving alternative to traditional fluorescent lighting, the Euri Lighting ET8-3150H-18 outputs high lumens for low watts. With hybrid technology, this 4-foot LED tube makes for uncomplicated installation with or without a ballast. Shatter resistant and built to last 50,000 hours, Euri Lighting's ET8-3150H-18 reduces energy and maintenance worries with every use. See Euri Lighting ET8-3140H-18 for slightly softer, Bright White (5000K).



Estimated Energy Cost: \$2.16 per year

LED Hybrid Tube

Hybrid technology reduces maintenance expenses and allows adaptable installation methods whether a ballast is present or not

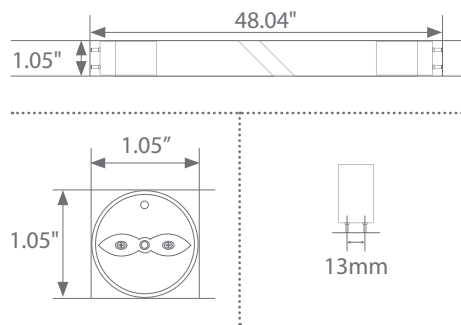
Specifications

Input Power	Input Voltage	Lumen Output	Beam Angle	Center Beam	CCT
18 W	AC100-277 V	2300 lm	270°	N/A	5000 K
CRI	Luminous Efficacy	Power Factor	Input Current	Base/Cap	Lamp Lifespan
80	127 lm/W	0.9	0.1 A	G13	50,000 Hrs.

Product Features

- Non-Dimmable
- Instant-On/Off
- Mercury Free
- Damp Rated

Product Dimensions



Product Photometric Data

