

LED ET8-2141T-15

Part #: ELT8/N/15W/2100/312D/40K/G13/T/D Lamp Class: T8 (4 ft.)



Product Description

LED ET8-2141T-15 delivers superior brightness, valuable energy savings and long lasting performance. **EURI™** 4 ft. Bypass Ballast LED T8 lamps are ideal for offices, conference rooms, hotels, academic complexes, research buildings, medical facilities and commercial stores. Available in **4000K Bright White** and **5000K Cool White**. Enjoy features such as: instant on, shatter resistant, mercury free, and Nano Plastic Technology.



Estimated Energy Cost: \$1.80 per year

Double Ended Bypass Ballast

Built in driver replaces ballast operation reducing significant maintenance expenses.
(To be installed by a licensed electrician only)

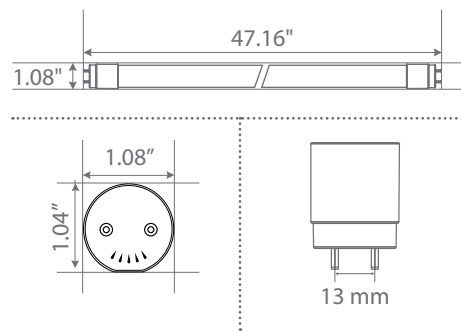
Specifications

Input Power	Input Voltage	Lumen Output	Beam Angle	Center Beam	CCT
15 W	AC100-277 V	2100 lm	312°	1466 cd	4000 K
CRI	Luminous Efficacy	Power Factor	Input Current	Base/Cap	Lamp Lifespan
80	140 lm/W	0.9	0.1 A	G13	50,000 Hrs.

Product Features

- Non-Dimmable
- Instant-On/Off
- Mercury Free
- Damp Rated

Product Dimensions



Product Photometric Data

