

LED T8 Tube

Bypass Ballast



Questions?

For customer service please call us at 1-888-743-5766
Office Hours: 8:00 a.m. – 5:00 p.m. PST Monday-Friday

PLEASE REVIEW THE INSTRUCTIONS AND WARNINGS LISTED BELOW PRIOR TO PROPER INSTALLATION

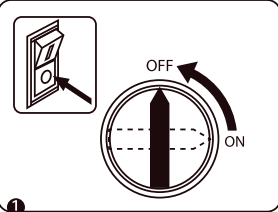
WARNINGS	CAUTIONS
<ul style="list-style-type: none"> • Please read the installation instructions very carefully and follow the wiring instructions to ensure safety • Product is not dimmable • Always switch off the power supply before commencing work • Only apply in dry indoor environments. Outdoor applications require a proper IP rated fixture • Do not change the structure or any components of the led tube to ensure safety. • LED Tube is designed to fit in standard IEC compliant G13 bi-pin lampholders. • LED Tube must be installed by a professional electrician in accordance with the relevant electrical codes. • Please keep this Quick installation Guide for future system maintenance. 	<p>Check whether the system is an Electro Magnetic ballast based system or electronic ballast based system, and follow instructions accordingly. When installing the LED tube, ensure the diffuser of the tube is pointing in the direction where the light is required.</p> <p>Incorrect installation or wiring may cause product failure, or other issues!</p> <p>Please operate right installation steps!</p>

WHEN BYPASSING A BALLAST ALWAYS HAVE A QUALIFIED ELECTRICIAN DO YOUR ELECTRICAL WORK.

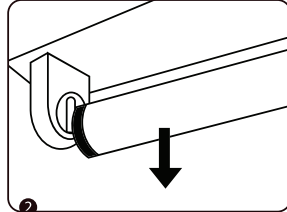
BYPASS BALLAST INSTALLATION INSTRUCTIONS

Single Ended Bypassing of Magnetic Ballast

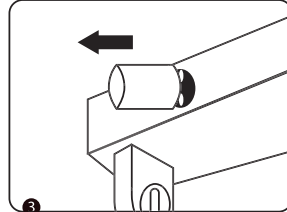
1. Turn-off power before installation.
2. Remove the existing ballast
3. Remove existing starter (If present)
4. Rewiring of BALLAST diagram per tube. Repeat for multiple tubes.
5. Results of rewiring should appear as shown.
6. Replace fluorescent tube with LED Tube
7. Remove any pre-existing labels and replace them with the labels provided with this product. Turn on.



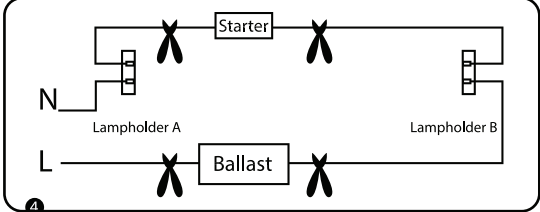
1



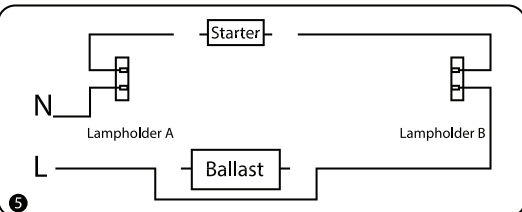
2



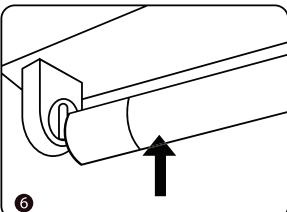
3



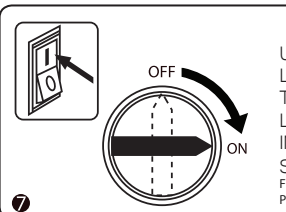
4



5



6



7

WARNING!

USE LED LAMPS ONLY. THIS LUMINAIRE HAS BEEN MODIFIED TO USE LED LAMPS AND CAN NO LONGER OPERATE THE ORGINALLY INTENDED FLUORESCENT LAMPS SAFELY. FLUORESCENT LAMPS COULD BREAK AND CAUSE PERSONAL INJURY IF USED IN THIS FIXTURE.



Questions?

For customer service please call us at 1-888-743-5766
 Office Hours: 8:00 a.m. – 5:00 p.m. PST Monday-Friday

LED
T8 Tube
 Bypass Ballast

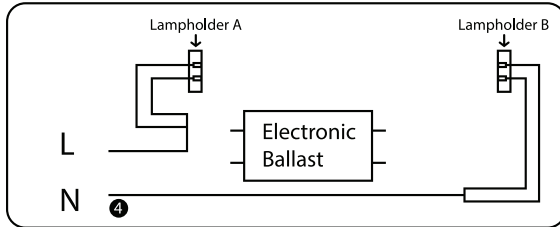
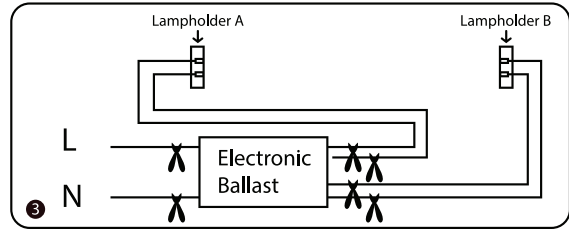
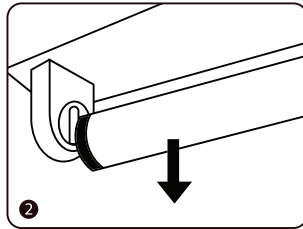
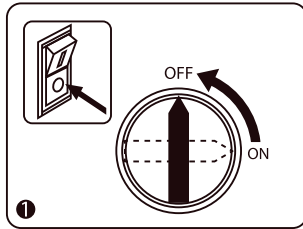
PLEASE REVIEW THE INSTRUCTIONS AND WARNINGS LISTED BELOW PRIOR TO PROPER INSTALLATION

WHEN BYPASSING A BALLAST ALWAYS HAVE A QUALIFIED ELECTRICIAN DO YOUR ELECTRICAL WORK.

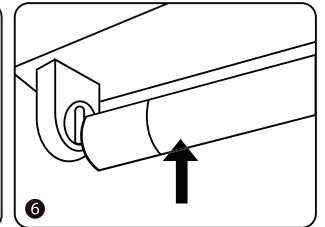
BYPASS BALLAST INSTALLATION INSTRUCTIONS

Single Ended Bypassing of Electronic Ballast

1. Turn-off power before installation.
2. Remove the existing ballast
3. Rewiring of BALLAST diagram per tube. Repeat for multiple tubes.
4. Results of rewiring should appear as shown.
5. Remove any pre-existing labels and replace them with the labels provided with this product. Turn on.
6. Replace fluorescent tube with LED Tube



WARNING!
 USE LED LAMPS ONLY.
 THIS LUMINAIRE HAS BEEN MODIFIED TO USE LED LAMPS AND CAN NO LONGER OPERATE THE ORIGINALLY INTENDED FLUORESCENT LAMPS SAFELY. FLUORESCENT LAMPS COULD BREAK AND CAUSE PERSONAL INJURY IF USED IN THIS FIXTURE.



New Built Luminaires

Wire according to the number of tubes per Luminaire

Number of Tube	Wire according to diagram
1	C
2	D
3	C+D
4	D+D

