



LED ET5-1150B

Part #: ELT5/F/25W/3200/185D/50K/G5/T/D Lamp Class: T5 (4 ft.)



Product Description

LED ET5-1150B; Ideal for any atmosphere that demands bright light, the Euri Lighting ET5-1150B offers easy, uncomplicated installation with bypass ballast capability. Built to last years, this glass LED linear tube provides exceptional light distribution in luminous Cool White (5000K) color. Using less than half the energy of standard fluorescent lighting, this slim 4-foot linear tube requires minimal watts for maximum lumen output, saving energy with every use. See Euri Lighting ET5-1140B for slightly softer, Bright White (4000K).



Estimated Energy Cost: \$3.01 per year



Frosted Glass Lens

Bypass Ballast

Built in driver replaces ballast operation reducing significant maintenance expenses.
(To be installed by a licensed electrician only)

Specifications

Input Power	Input Voltage	Lumen Output	Beam Angle	Center Beam	Ambient Temperature Range	CCT
25 W	AC120 - 277 V	3500 lm	180°	756 cd	Min -20°C - Max 45°C	5000 K

CRI	Luminous Efficacy	Power Factor	Input Current	Base/Cap	Relative Humidity Range	Lamp Lifespan
80	140 lm/W	0.9	0.21 A	G5	≤ 65%	50,000 Hrs.

Product Features



Instant-On/Off



Mercury Free

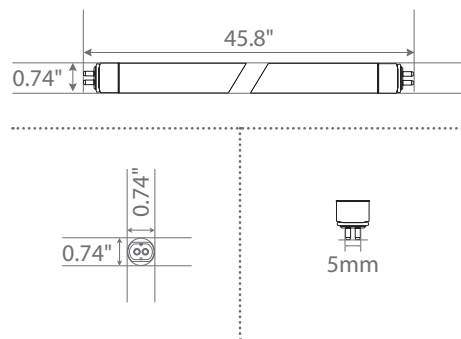


Damp Rated



Double Ended

Product Dimensions



Product Photometric Data

