

### LED4537S

**Specifier Grade  
Electronic Photocontrol  
Locking-Type Mounting**

#### Typical Applications

- Dusk-to-dawn control of multi-fixture interstate, roadway, and parking lot lighting

#### Features

- Non-drifting silicon light sensor, IR filtered for human eye response
- Zero-cross technology helps device withstand severe in-rush current and extend 20 A relay life
- Exceeds 15,000 ON/OFF operations at full load, to meet life expectancy of LED fixtures
- Conformal coated PCB assembly
- All components meet 20-year life requirements
- For high-performance LED fixtures, totaling 2220 W @ 277 VAC

#### Specifications

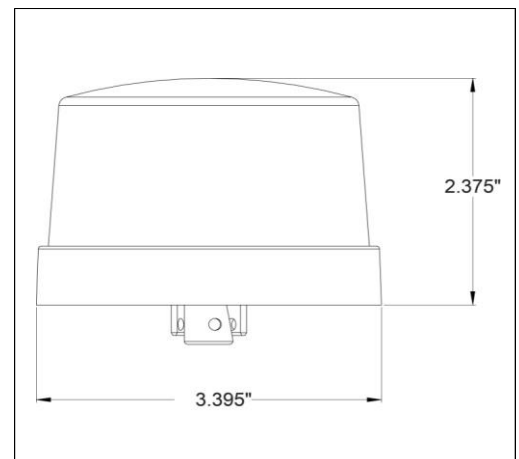
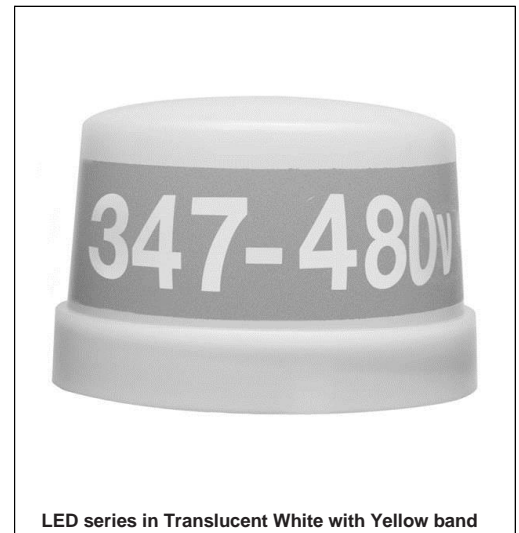
- Voltage: 347-480 VAC, 50/60 Hz
- Dielectric strength: 5000 VAC
- Load Ratings: 1000 W Tungsten  
1800 VA Ballast  
8 A Electronic Ballast/LED Driver
- Operating temperature range: -40°F to 158°F (-40°C to 70°C)
- Turn ON light level: 1.5 fc +/- 0.5 fc
- Turn OFF light level: 2.25 fc
- Turn OFF to ON ratio: 1.5:1
- Time Delay: 2-5 seconds
- Fail mode: ON
- Power consumption: < 0.5 W @ 277 VAC
- Surge Protection Level: 10 kV / 5 kA per ANSI C136.2
- Surge Protection Component: 685 Joule MOV
- Cover: Impact/UV resistant White Polypropylene with Yellow band
- Water Ingress Protection: NEMA 3 ('raintight')
- Sensor orientation: Side Mount Sensor

#### Regulatory Listings

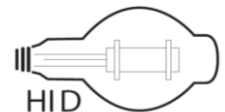
- ANSI C136.10 and RoHS compliant
- UL certified to both U.S. (UL773) & Canadian CSA C22.2 182.2-M1974 standards
- Tested to NEMA 410 LED loads standards
- Complies with UL773 Endurance requirements

#### Warranty

- Limited 5-year warranty



#### Compatible with



## Ordering Information

Order No.	Operating Voltage	Load Ratings			Activation Details			Packaging
		Tungsten	Ballast	Electronic (LED driver)	ON	OFF	Time Delay	
LED4537SC	347-480 VAC	1000 W	1800 VA	8 A	1.5 fc	2.25 fc	2-5 sec	Unit Box, 4 color

## Notes

**Order number:** C – is the packaging designation, please include when ordering product

## Specification

The locking-type photo control shall be an electronic control based on a solid-state photo sensor and relay switch circuit. Switch operation shall have a rating of 1000 Watts tungsten and 1800 Watts ballast at 347-480 VAC. For high in-rush LED type fixtures, the photo control switch operation shall have a 8 Amp Electronic Ballast rating at 347-480 VAC. The photo control should fail in an ON state. The photo control operating voltage shall be clearly identified on the control housing by color code or unit label. The photo control shall be equipped with a 2-5 second delay action eliminating activation by light flashes. The photo control shall be equipped with standard 3-prong twist and locking-type plug connection. The plug connection terminals shall be solid brass. The photo control shall consist of industrial grade electronic components, 685 Joule MOV, solid state light sensor, and a 20 A relay. The photo control shall be 100% factory tested and function within specified light levels. The photo control shall be agency certified and tested accordingly. The photo control shall meet agency standards for locking-type devices and all other requirements of ANSI C136.10-2010. The photo control shall operate over a temperature range of -40°F to 158°F (-40°C to 70°C). The photo control should have a manufacturer's limited warranty of 12 years minimum. The photo control shall be the electronic dusk-to-dawn type, Intermatic model LED4537S.