



Contractor Select™  
**LIL LED**  
 Wall Mount Lighting



The Lithonia Lighting® LIL wall pack is just 5 inch x 5 inch in size and delivers 800 lumens using only 8 watts. It is the ideal, compact “over-the-door” lighting solution for commercial and residential applications.

**FEATURES:**

- Replaces up to 100W incandescent lamps, saves 90% energy
- Elegant and compact LED solution, Photocell and battery pack options available
- Back box accessory available for conduit wiring



Catalog Number	UPC	Description	Replaces Up To	Lumens	Wattage	CCT	Voltage	Finish	Pallet qty.
LIL LED 30K MVOLT DDBTXD	191848072998	WALL PACKS	100W INCANDESCENT/32W COMPACT FLUORESCENT	800	8W	3000K	120-277V	TEXTURED DARK BRONZE	60
*LIL LED 30K MVOLT PE DDBTXD	191848073025	WALL PACKS	100W INCANDESCENT/32W COMPACT FLUORESCENT	800	8W	3000K	120-277V	TEXTURED DARK BRONZE	60
LIL LED 40K MVOLT DDBTXD	191848072981	WALL PACKS	100W INCANDESCENT/32W COMPACT FLUORESCENT	800	8W	4000K	120-277V	TEXTURED DARK BRONZE	60
*LIL LED 40K MVOLT PE DDBTXD	191848073032	WALL PACKS	100W INCANDESCENT/32W COMPACT FLUORESCENT	800	8W	4000K	120-277V	TEXTURED DARK BRONZE	60
**LIL LED BB DDBTXD	191848073971	BACK BOX, CONDUIT	N/A	N/A	N/A	N/A	N/A	TEXTURED DARK BRONZE	60

\*PE and EL options can't be ordered together.

\*\*BB option is not available with EL option.

**Accessories:** Order as separate catalog number.  
 \*\*LIL LED BB DDBTXD Back box for conduit entry applications, dark bronze - CI Code \*249WXH



## Specifications

### INTENDED USE:

The versatility of LIL LED combines a sleek, compact profile with photocell and battery pack options to provide a great solution for wall mount applications. LIL LED is ideal for replacing up to 100W incandescent or 32W CFL luminaires in installations above doors, balconies, garage or warehouse entrances, and security applications. It can also be used for decorative and general lighting in outdoor environments.

### CONSTRUCTION:

Aluminum housing with textured dark bronze paint for lasting durability. The polycarbonate lens creates uniform light distribution, and it is UV resistant - great for outdoor environments!

### ELECTRICAL:

LED technology provides long operating life (L70/50,000 hours at 25°C). Electronic drivers have a power factor >90% and THD <20% and a minimum 2.5kV surge rating.

### INSTALLATION

Easily mounts to recessed junction boxes for surface mounting and conduit entry – use the back box with two 1/2" threaded conduit entry hubs.

### LISTINGS:

UL Listed to U.S. and Canadian safety standards for wet locations. Rated for -40° C minimum to 40° C maximum ambient temperature. Tested in accordance with IESNA LM-79 and LM-80 standards.

DesignLights Consortium® (DLC) qualified product. Not all versions of this product may be DLC qualified. Please check the DLC Qualified Products List to confirm which versions are qualified.

### WARRANTY:

5-year limited warranty.

**Note:** Actual performance may differ as a result of end-user environment and application.

All values are design or typical values, measured under laboratory conditions at 25 °C.

Specifications subject to change without notice.

## Dimensions

### STANDARD

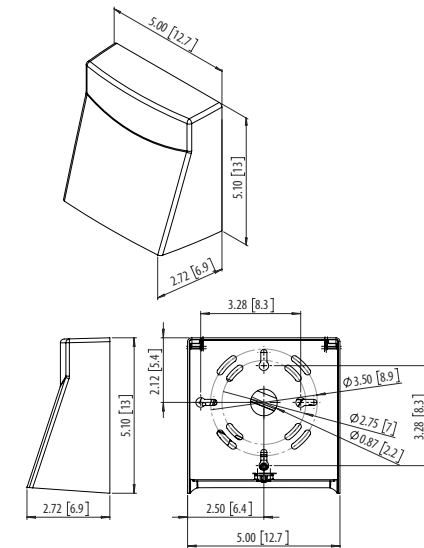
Width: 5"  
Height: 5-1/8"  
Depth: 2-3/4"  
Weight: 1.5lbs

### WITH BATTERY PACK(EL):

Width: 5-7/8"  
Height: 6-1/8"  
Depth: 4-1/4"  
Weight: 3lbs

All dimensions are inches (centimeters) unless otherwise indicated.

LIL LED XXK MVOLT



LIL LED XXK MVOLT EL

