

# Elements

by TCP



## LED Area Light

### Limitless Options for the following applications:

TCP's LED Area Lights are designed for outdoor lighting applications requiring bright, white light, energy savings and robust performance. The long 50,000 hour rated life significantly decreases maintenance, labor and material costs over the life of the fixture.

The slim, low-profile, 3G vibration rated die-cast aluminum housing is IP65 rated. An adjustable slip-fitter mount for 2 3/8" O.D. arms or tenons is standard. Additional mounting accessories are available for round or square pole, wall mount, and trunnion mount applications. A 7-pin NEMA photocontrol receptacle is standard for the addition of wireless control nodes or 3-pin or 7-pin photocontrols. A shorting cap is supplied with each luminaire in case controls are not required.

- HID Shoebox Replacements
- Shopping Malls
- Parking Lots and Parking Garage Top Level
- Walkways
- Stadium Lots
- Campuses
- Auto Dealerships



5 YEAR WARRANTY

we know light.™

# LED Area Light

## Features/Benefits

Up to 72% less energy than traditional HID	Instant energy savings and potential rebate eligibility
Long 50,000 hour rated life	Minimizes replacements and labor costs
Integrated 7-pin NEMA photocontrol receptacle with shorting cap	Comes standard; 3-pin or 7-pin photocontrol or wireless control node can be used
Mercury free	Great for all environments
Die-cast aluminum housing with acrylic optics	Provides Types III, IV or V distributions to fit any project
IP65 Rated	Suitable for outdoor installation
Easy to install - Adjustable slip-fitter for 2 <sup>3</sup> / <sub>8</sub> " O.D. arms or tenons is standard	Additional mounting accessories available for versatile mounting options
Light weight and Low EPA	Reduces stress on existing poles

## Specifications

Input Line Voltage	120-277VAC or 347/480VAC
Input Line Frequency (Hz)	50/60HZ
Lumens / Wattage	13,500L (100W), 24,500L (200W), 40,000L (300W)
Lumens per Watt (LPW)	122 - 138 LPW
Color Temperature (CCT)	4000K, 5000K
Dimming	0-10VDC dimming via 7-pin NEMA Photocontrol receptacle
Controls	NEMA 7-pin Photocontrol Receptacle with Shorting Cap provided
Rated Life	>50,000 hours
Operating Temperature	-40°C to 45°C
CRI	70+
Power Factor	>0.9
THD	<20%

## Warranty

Five year limited warranty against defects in manufacturing

## Replacement Comparison

Type	Wattage	Energy Savings (%)
<b>TCP Area Light A1 - 13,500 Lumens</b>	<b>100W</b>	-
250W Metal Halide	295W	66%
400W Metal Halide	458W	78%
<b>TCP Area Light A2 - 24,500 Lumens</b>	<b>200W</b>	-
400W Metal Halide	458W	56%
1000W Metal Halide	1081W	81%
<b>TCP Area Light A3 - 40,000 Lumens</b>	<b>300W</b>	-
400W Metal Halide	458W	34%
1000W Metal Halide	1081W	72%



To view our DLC qualified products, please consult the DLC Qualified Products List at [www.designlights.org/apl](http://www.designlights.org/apl).

### Applications

TCP's LED Area Lights feature a low profile, 3G vibration rated design that delivers a bright, uniform light while saving energy over traditional HID sources. Maintenance costs are virtually eliminated over their long-rated life. Applications include parking lots, walkways, auto dealerships, campuses and other public areas.

### Construction

- Visually appealing slim, low-profile design
- Heavy duty die-cast aluminum housing
- Durable UV stabilized powder coat finish
- Adjustable slip-fitter mount standard for easy installation.
- Round pole, Square pole, wall mount and trunnion mount accessories available

### Electrical

- NEMA 7-pin photocontrol receptacle with shorting cap accepts 3-pin or 7-pin photocontrols or wireless control nodes
- System rated for long 50,000 hour rated life
- cULus wet location rated
- 4kV surge suppression comes standard

### Optics

- Durable acrylic optics resist yellowing
- Distribution Type III standard, Types IV and V optional



#### Listings

cULus Listed – wet location rated  
RoHS Compliant  
DLC 4.3 Premium  
IP65 Rated  
3G Vibration Rated

#### Installation

Surface or pole mounted  
Before installation, please consult your local ordinances and building codes for compliance

#### Warranty

Five year limited warranty against defects in manufacturing

### Lumen Maintenance

Lumen Maintenance Factor (LMF)				
Lumen Package	36,000 hours <sup>1</sup>	50,000 hours <sup>1</sup>	100,000 hours <sup>2</sup>	Reported L <sub>70</sub> (hours) <sup>1</sup>
A1	90.23%	86.77%	75.43%	>54,000
A2	91.00%	87.86%	77.48%	>60,000
<b>A3</b>	<b>91.61%</b>	<b>88.47%</b>	<b>78.11%</b>	<b>&gt;54,000</b>

<sup>1</sup> IESNA TM-21-11 projected value based on 6X IESNA LM-80-08 total test duration.  
<sup>2</sup> IESNA TM-21-11 calculated value exceeds 6X IESNA LM-80-08 total test duration.

## Catalog Ordering Matrix Example: ALUZDA1T340KN7BR

AL		ZD				N7	BR	
FAMILY	VOLTAGE	DIMMING	LUMENS PACKAGE (Power) <sup>1,2</sup>	DISTRIBUTION <sup>3</sup>	CCT	PHOTOCELL RECEPTACLE <sup>4</sup>	COLOR	OPTIONS
<b>AL</b> – Area Light	<b>U</b> – 120/277V <b>H</b> – 347/480V	<b>ZD</b> – 0-10V Dimming	<b>A1</b> – 13500 Lumens (100W) <b>A2</b> – 26500 Lumens (200W) <b>A3</b> – 40000 Lumens (300W)	<b>T3</b> – Type III <b>T4</b> – Type IV <b>T5</b> – Type V	<b>40K</b> – 4000K <b>50K</b> – 5000K	<b>N7</b> – NEMA 7-PIN	<b>BR</b> – Bronze	<b>MS</b> – Motion Sensor

<sup>1</sup> Approximate lumen output. Actual performance may be based on CCT, options selected and end user application. <sup>2</sup> Actual wattage may differ by +/- 10%.  
<sup>3</sup> Type III Standard. Types IV and V require additional lead time. Consult factory for details. <sup>4</sup> Shorting Cap provided. Can be used with a standard 3-pin or 7-pin photocontrol or a wireless control node.

## Mounting Accessories



#### ALWALLMOUNT

The Wall Mount accessory is field installed and includes a heavy duty aluminum plate to secure it to the wall.



#### ALRPOLEMOUNT

The optional round or square pole mount accessory is field installed and can be used with 4" or 5" square or round poles. Round pole adapter is included.



#### ALTRUNNION

The optional trunnion mount is field installed.


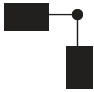



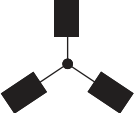
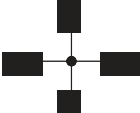


#### ALSLIPFITTER

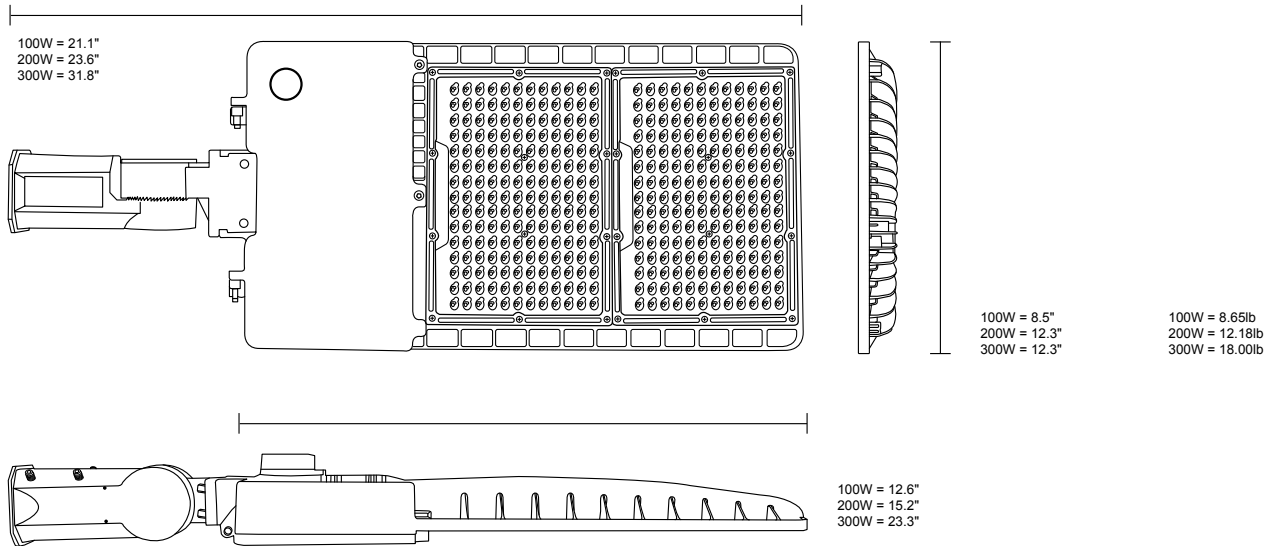
The standard cast aluminum slipfitter mount secures the luminaire to nominal 2" (2 3/8" O.D. pipe size) horizontal arm or vertical tenon.

# LED Area Light

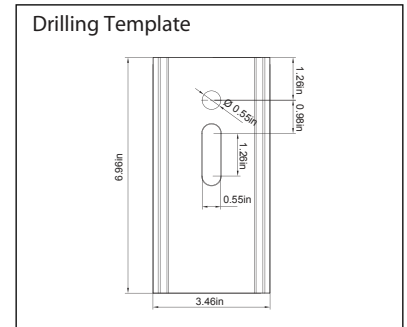
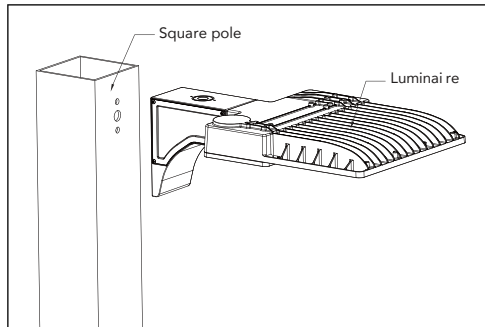
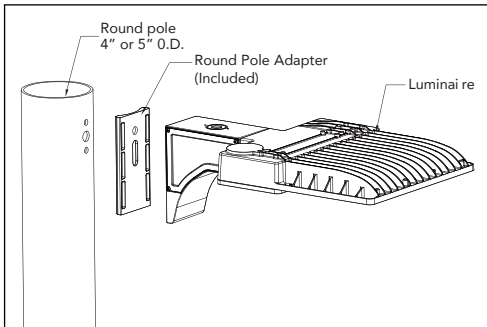
## EPA of Area Light

Lumen Package							
	1	2 @90°	2 @120°	2@180°	3 @90°	3 @120°	4 @90°
A1 (13,500 Lumens, 100W)	0.3413	0.5929	0.7983	0.6826	1.0239	1.0499	1.0239
A2 (24,500 Lumens, 200W)	0.423	0.735	0.873	0.846	1.158	1.185	1.158
A3 (40,000 Lumens, 300W)	0.4759	0.7889	1.0581	0.9518	1.2648	1.3711	1.2648

## Dimensions



## Mounting Dimensions



### Performance Data

Lumen Package	Number of Drivers	System Watts	Drive Current(mA)	Input Voltage	Distribution Type	4000K 70CRI		5000K 70CRI	
						Lumens	LPW	Lumens	LPW
A1	1	100	2450	120-277V Only	III	13,579	136	13,846	138
					IV	13,201	132	13,347	133
					V	13,899	139	14,182	142
A2	1	200	5100	120-277V 347/480V	III	25,151	126	25,765	129
					IV	24,635	123	24,887	124
					V	25,089	125	25,880	129
A3	1	300	6000	120-277V 347/480V	III	40,033	133	40,311	134
					IV	39,699	132	39,977	133
					V	41,698	139	42,728	142

### Photometric Report

Based on photometric data for

TCP Item # **ALUZDA2T340KN7BR**

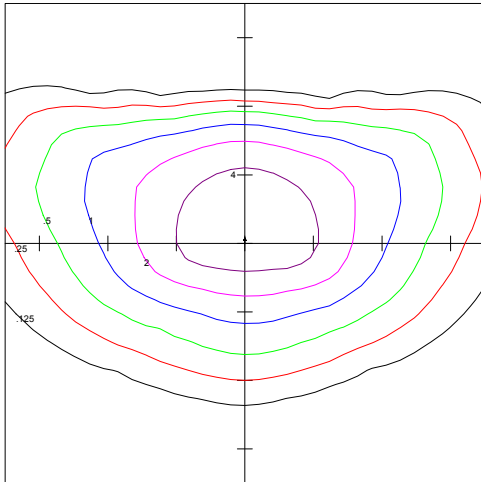
**Polar Graph**

TCP Item # **ALUZDA2T440KN7BR**

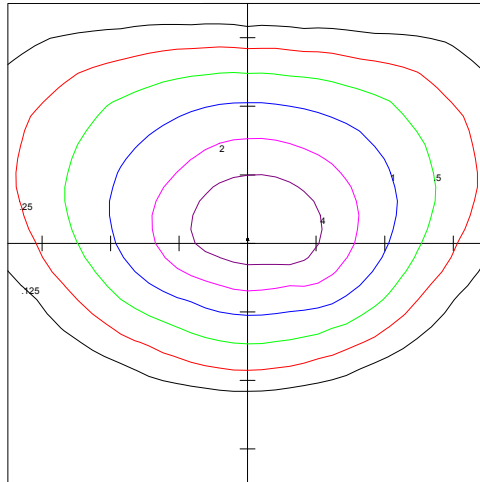
**Polar Graph**

TCP Item # **ALUZDA2T540KN7BR**

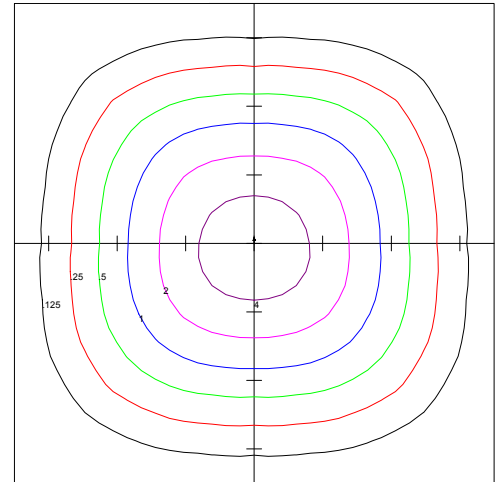
**Polar Graph**



Horizontal Footcandles  
Scale: 1 Inch = 25 Ft.  
Light Loss Factor = 1.00  
Lumens Per Lamp = N.A. (absolute photometry)  
Luminaire Lumens = 25151  
Mounting Height = 25.00 Ft  
Maximum Calculated Value = 7.11 Fc  
Arrangement: Single



Horizontal Footcandles  
Scale: 1 Inch = 25 Ft.  
Light Loss Factor = 1.00  
Lumens Per Lamp = N.A. (absolute photometry)  
Luminaire Lumens = 24635  
Mounting Height = 25.00 Ft  
Maximum Calculated Value = 7.55 Fc  
Arrangement: Single



Horizontal Footcandles  
Scale: 1 Inch = 25 Ft.  
Light Loss Factor = 1.00  
Lumens Per Lamp = N.A. (absolute photometry)  
Luminaire Lumens = 25089  
Mounting Height = 25.00 Ft  
Maximum Calculated Value = 5.86 Fc  
Arrangement: Single

# TECHNOLOGY CAST IN A BEAUTIFUL LIGHT

For over 20 years, TCP has been designing, developing and delivering energy-efficient lighting into the market. Thanks to our cutting-edge technology and manufacturing expertise, we have shipped billions of high quality lighting products. With TCP, you can count on a lighting product that is designed to meet the needs of the market — that transforms your surroundings and envelopes you in warmth — lighting that generates beauty with every flip of the switch.

