



AC OUTPUT



## DESCRIPTION

The **I-42-EM-B** from IOTA Engineering is a UL Listed fluorescent emergency ballast that allows the same fixture to be used for both normal and emergency operation. In the event of a power failure, the **I-42-EM-B** switches to the emergency mode and operates **one or two** of the existing lamps for **90 minutes**. The unit contains a battery, charger, and inverter circuit in a single can. The **I-42-EM-B** can be used with most 10W-42W twin, triple, quad tube, 2D and Straight **4-pin** compact fluorescent lamps and 18W-36W long compacts, with a total initial output of up to **650 lumens** for one or two lamps. The **I-42-EM-B** utilizes **AC output to ensure compatibility with new lamp technologies**, and features lamp selector leads for optimizing light output for designated lamp types. The **I-42-EM-B** features an integral can profile for installation directly within the ballast compartment, and is suitable for use in damp locations and enclosed and gasketed fixtures.

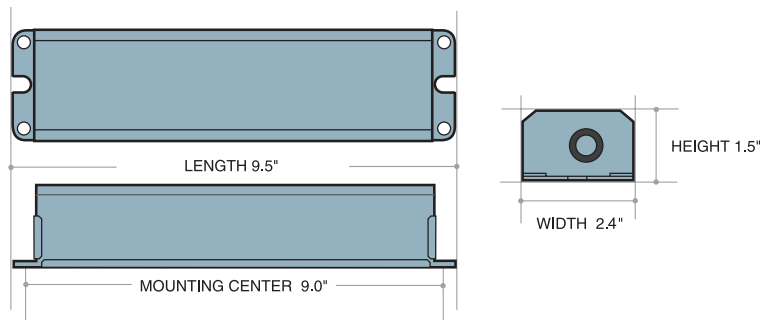
## SPECIFICATIONS

Input Voltage .....	(Dual) 120/277V, 60Hz
Input Wattage .....	3.5 Watts
Lamps Operated .....	10W-42W <b>4-pin</b> Rapid Start Twin, Triple, Quad Tube, 2D & Straight Compact Lamps, and 18W-36W Long Compact Lamps
Emergency Operation* .....	(1) 10W-42W or (2) 10W-18W 90 minutes *Long Compact - (1) lamp only
Initial Illumination .....	650 lumens (2) lamps 325 lumens each lamp
Operating Temp .....	0° to 50° C
Battery .....	24 Hour Recharge 7-10 Year Life Expectancy
Weight .....	2.5 lbs.
Approval .....	UL and CUL Listed



## DIMENSIONS

9.5" x 2.4" x 1.5" (mounting center 9.0")



## INITIAL LUMEN OUTPUT

650 Lumens

## LAMPS OPERATED\*



- (1) 10W-42W 4-PIN Compact
- (2) 10W-18W 4-PIN Compact



- (1) 18W-36W Long Compact



Select LED Retrofit Tubes

\*Refer to Lumen Reference Chart and LED Retrofit Reference Chart for list of compatible lamps.

## PRODUCT ADVANTAGES

- **AC output for compatibility with Low-Mercury Content Amalgam lamps**
- **Time Delay feature for compatibility with End-of-Lamp-Life Circuitry**
- **Open Circuit Isolation protects unit when load is absent**

## FEATURES

- Will cold start and operate all specified lamps
- Long life high temperature recyclable Ni-Cad battery
- Galvanized steel case
- Includes test switch and charge indicator accessory kit
- For use with switched or unswitched fixtures
- **5-Year Warranty.** See Warranty Page for details.
- Lamp selector leads optimize light output for designated lamp type
- Rated for use in damp locations, plenum, and enclosed and gasketed fixtures
- Meets or exceeds all NEC, IBC, and Life Safety Code Emergency Lighting Requirements
- RoHS Compliant
- International Voltage Models available

FLUORESCENT

COMPACT



# I-42-EM-B

FLUORESCENT EMERGENCY BALLAST FOR 4-PIN LAMPS

## OPTIONS

### TEST KIT CONFIGURATION

- TBTS
- TWO-PIECE TEST SWITCH AND CHARGE INDICATOR

### MOUNTING CONFIGURATION

- EM-B

### VOLTAGE RATINGS

- 120/277V 60HZ (STANDARD)
- 220V 50HZ
- 240V 60HZ
- 120V 50HZ

## INITIAL LUMEN RATINGS

LAMP	1 LAMP	2 LAMPS
13W PL CF 4-PIN	350	400
18W PL CF QUAD 4-PIN	350	550
26W PL CF QUAD 4-PIN	425	
32W PL CF QUAD 4-PIN	600	
42W PL CF QUAD 4-PIN	750	
F282 D/42 4-PIN	475	500
F382 D/42 4-PIN	500	650
18W LONG COMPACT	500	
24W LONG COMPACT	575	
36W LONG COMPACT	650	

### LED Retrofit Tube Options

This IOTA Emergency Ballast is UL Listed for emergency operation of select LED retrofit tube applications. For a complete list of acceptable LED retrofit tube options, refer to the **IOTA LED Retrofit Tube Reference Chart**

## I-42-EM-B SAMPLE SPECIFICATION

Emergency lighting shall be provided by using a standard fluorescent fixture equipped with an **IOTA I-42-EM-B** fluorescent emergency battery pack. The **I-42-EM-B** shall consist of a high temperature, maintenance-free nickel cadmium battery, charger board and an electronic circuit enclosed in a 9.5" x 2.4" x 1.5" vandal-resistant galvanized steel case for installation in the wireway or on top of the fixture. A combination one-piece long-life LED charge indicator light and test switch shall be included. The fluorescent EM pack shall operate one 10w-42w or two 10w-18w twin, triple, quad tube, 2D or straight **4-pin** fluorescent lamps, or one 18w-36w long compact fluorescent lamp. The **I-42-EM-B** shall provide reduced illumination for a minimum of 90 minutes in the emergency mode with a total initial output of 650 lumens. **The I-42-EM-B will operate the lamp(s) with AC output** and will feature lamp selector leads for optimizing light output for the designated lamp type. The **I-42-EM-B** shall have 3.5 watts of input power and a battery capacity of 14.4 watt hours. The **I-42-EM-B** is UL Listed and meets or exceeds all NEC and Life Safety Code Emergency Lighting Requirements, and rated for use in damp locations. The **I-42-EM-B** is warranted for a full five (5) years from the date of purchase.

## REMOTE MOUNTING

When battery packs are remote mounted, consult Customer Service for the maximum allowable distance between the battery pack and lamp(s).