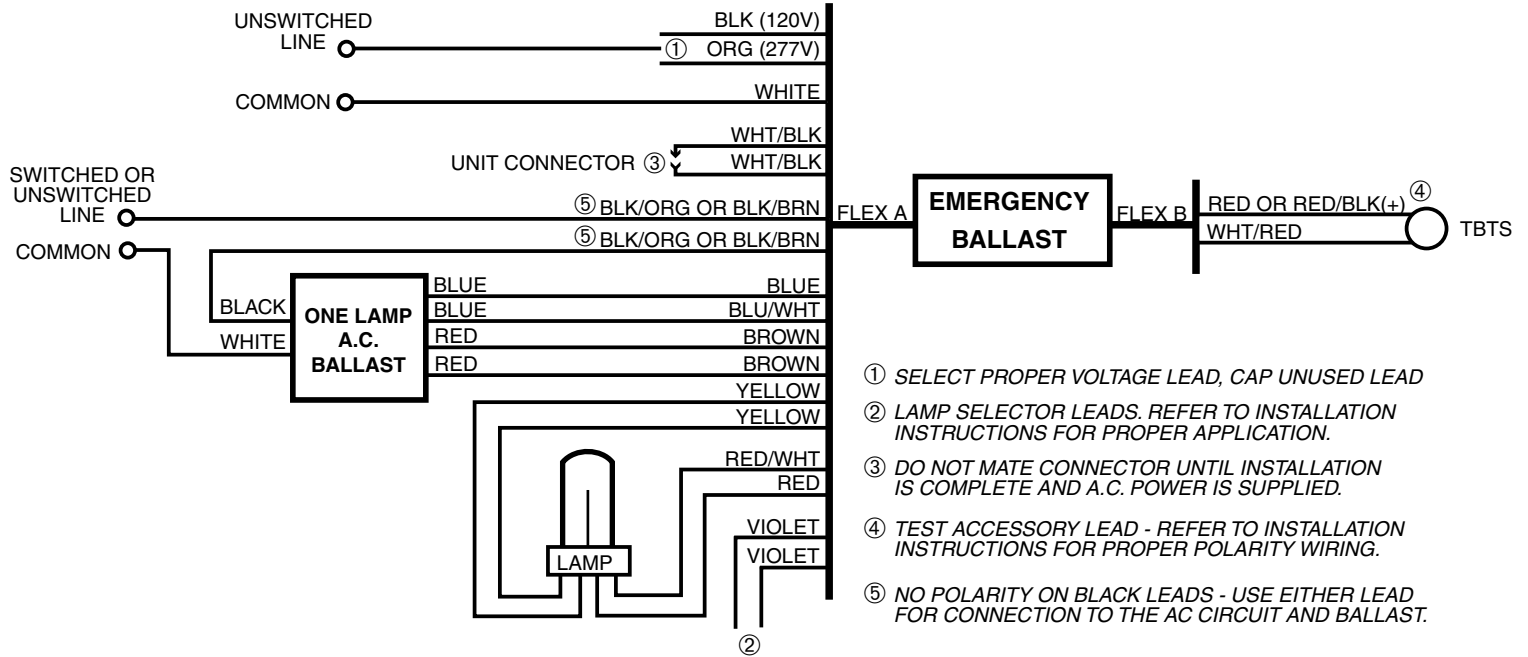
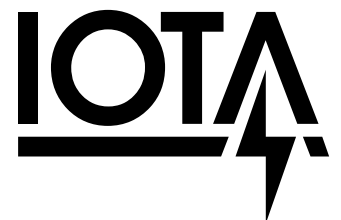


ONE LAMP RAPID START BALLAST

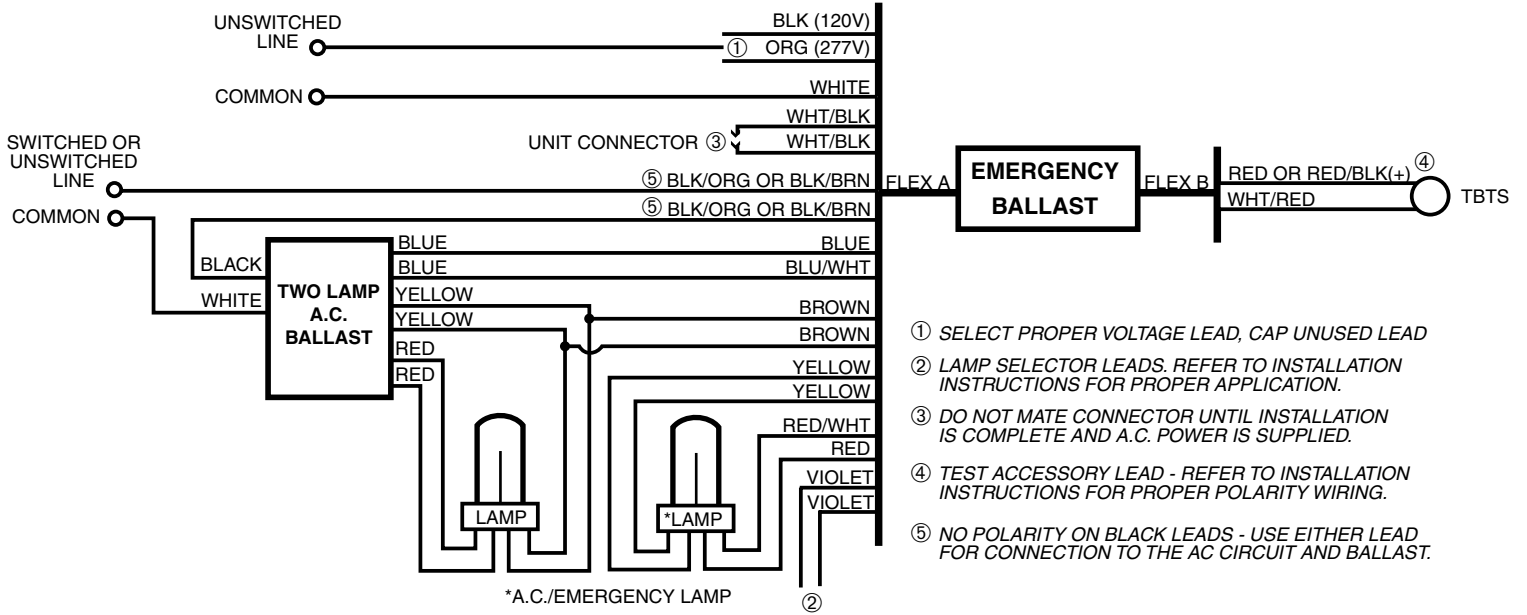


1LRSB42_R_AC

NOTES

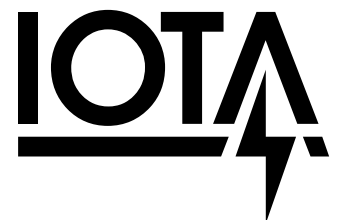


TWO LAMP RAPID START BALLAST ONE LAMP EMERGENCY OPERATION

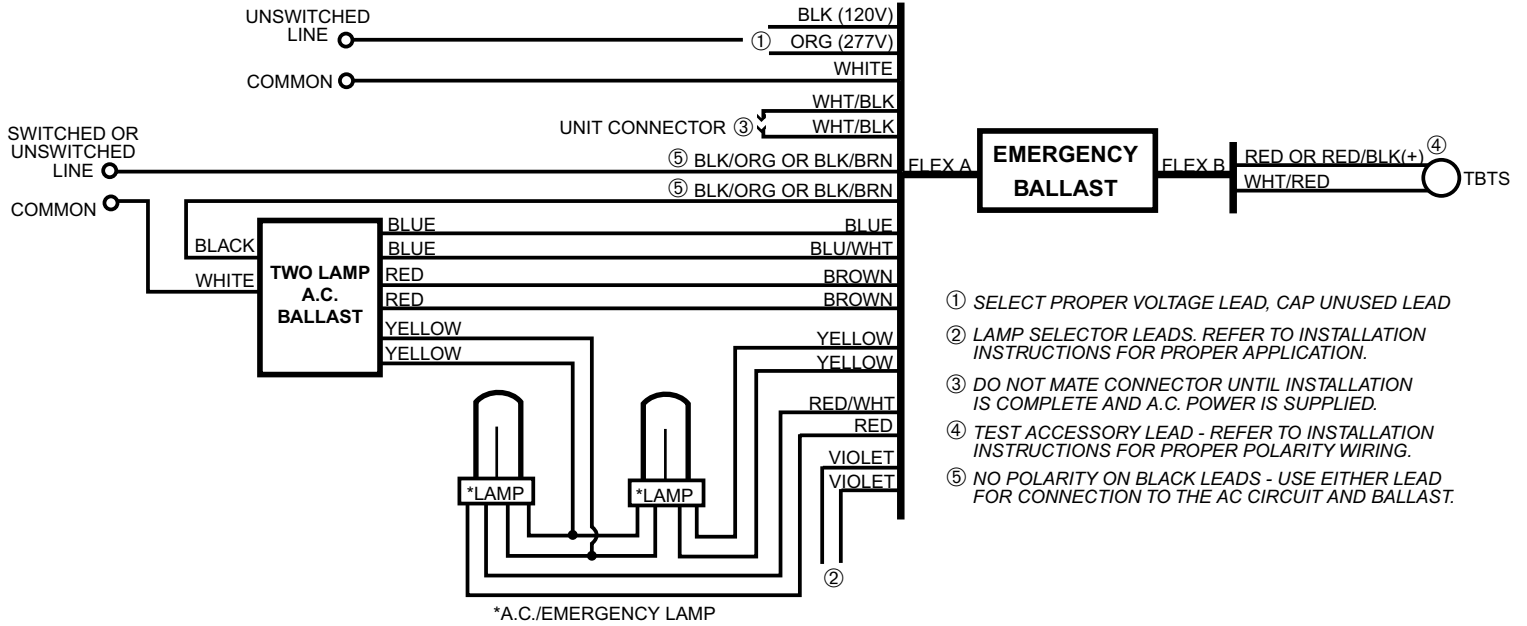


2LRSB42_1LEO_R_AC

NOTES



TWO LAMP RAPID START BALLAST TWO LAMP EMERGENCY OPERATION



- ① SELECT PROPER VOLTAGE LEAD, CAP UNUSED LEAD
- ② LAMP SELECTOR LEADS. REFER TO INSTALLATION INSTRUCTIONS FOR PROPER APPLICATION.
- ③ DO NOT MATE CONNECTOR UNTIL INSTALLATION IS COMPLETE AND A.C. POWER IS SUPPLIED.
- ④ TEST ACCESSORY LEAD - REFER TO INSTALLATION INSTRUCTIONS FOR PROPER POLARITY WIRING.
- ⑤ NO POLARITY ON BLACK LEADS - USE EITHER LEAD FOR CONNECTION TO THE AC CIRCUIT AND BALLAST.

2LRSB42_R_AC_2LEO

NOTES

