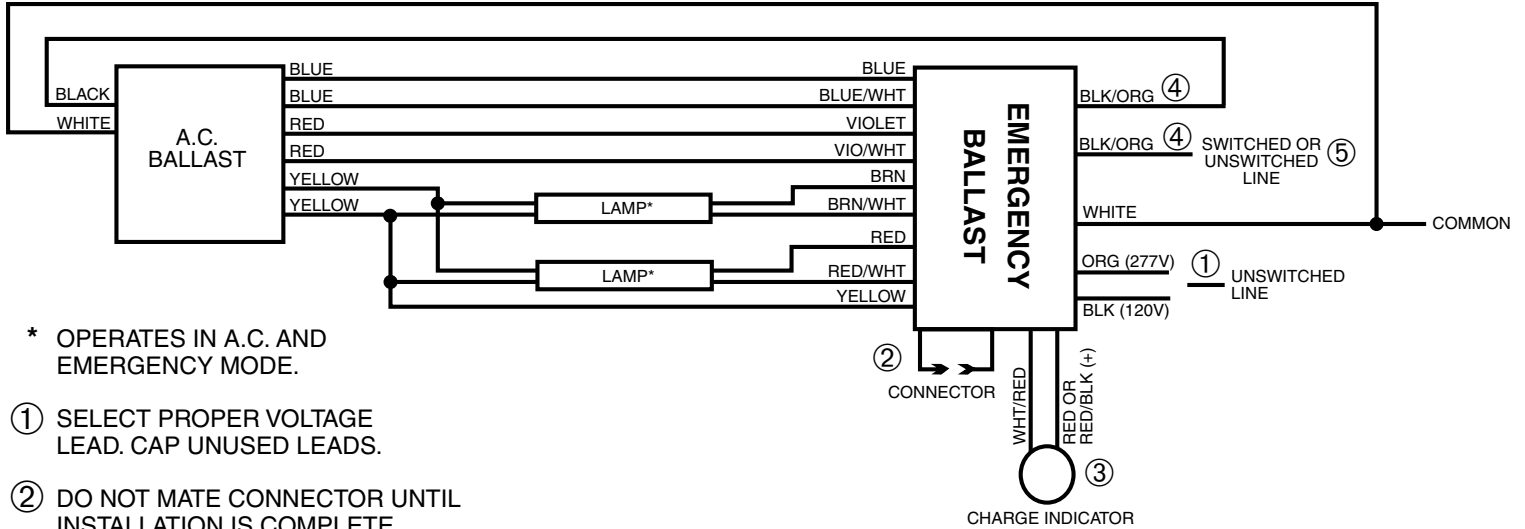


TWO LAMP RAPID START BALLAST



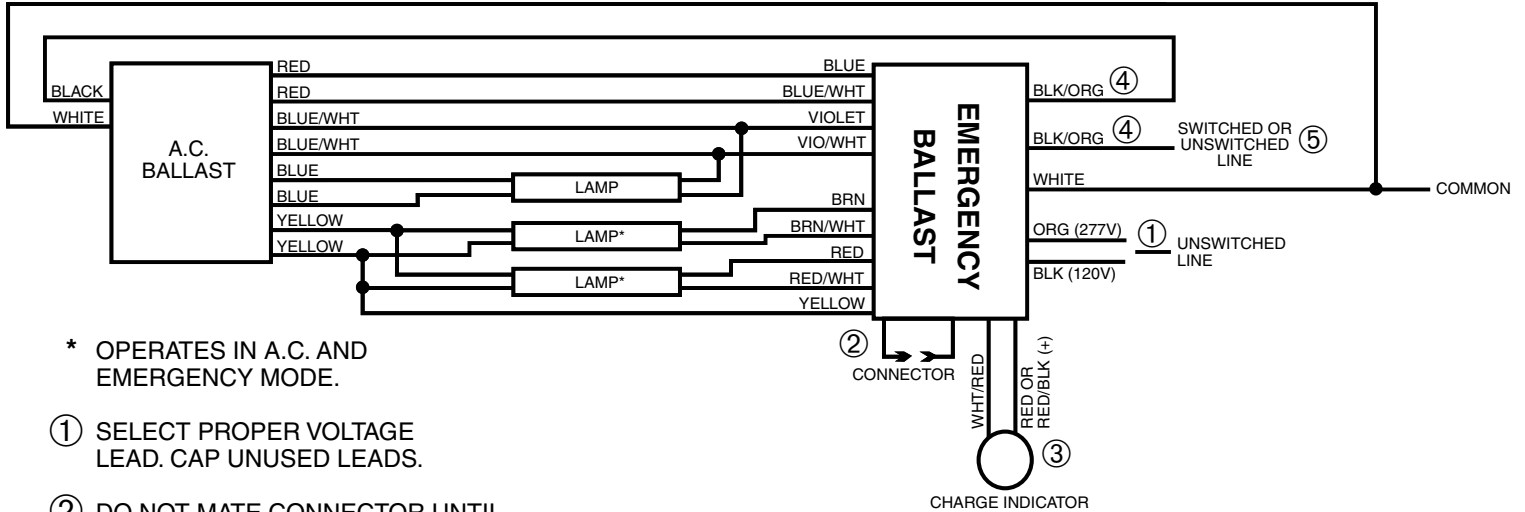
* OPERATES IN A.C. AND EMERGENCY MODE.

- ① SELECT PROPER VOLTAGE LEAD. CAP UNUSED LEADS.
- ② DO NOT MATE CONNECTOR UNTIL INSTALLATION IS COMPLETE AND A.C. POWER IS SUPPLIED.
- ③ TEST ACCESSORY LEADS - REFER TO INSTALLATION INSTRUCTIONS FOR PROPER POLARITY LEAD WIRING.
- ④ NO POLARITY ON BLK/ORG LEADS.
- ⑤ SWITCHED OR UNSWITCHED LINE- REFER TO INSTALLATION MANUAL FOR HOT AND TEST SWITCH PLACEMENT.

2LRSB_232_D

NOTES

THREE LAMP RAPID START BALLAST



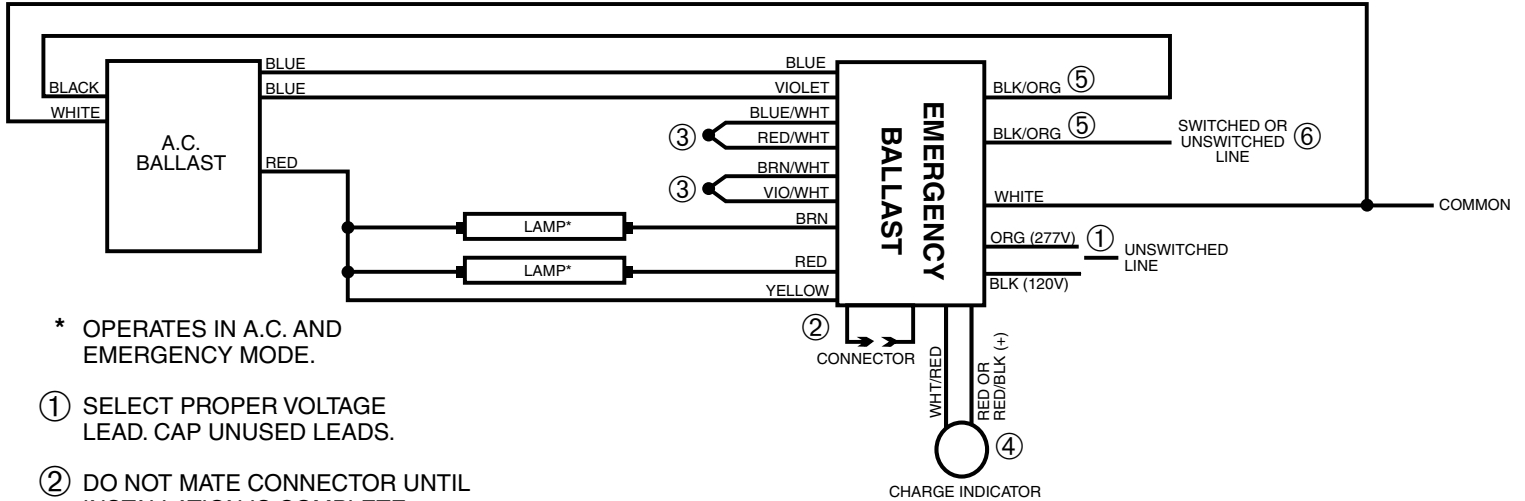
* OPERATES IN A.C. AND EMERGENCY MODE.

- ① SELECT PROPER VOLTAGE LEAD. CAP UNUSED LEADS.
- ② DO NOT MATE CONNECTOR UNTIL INSTALLATION IS COMPLETE AND A.C. POWER IS SUPPLIED.
- ③ TEST ACCESSORY LEADS - REFER TO INSTALLATION INSTRUCTIONS FOR PROPER POLARITY LEAD WIRING.
- ④ NO POLARITY ON BLK/ORG LEADS.
- ⑤ SWITCHED OR UNSWITCHED LINE- REFER TO INSTALLATION MANUAL FOR HOT AND TEST SWITCH PLACEMENT.

3LRSB_232_D

NOTES

TWO LAMP INSTANT START BALLAST



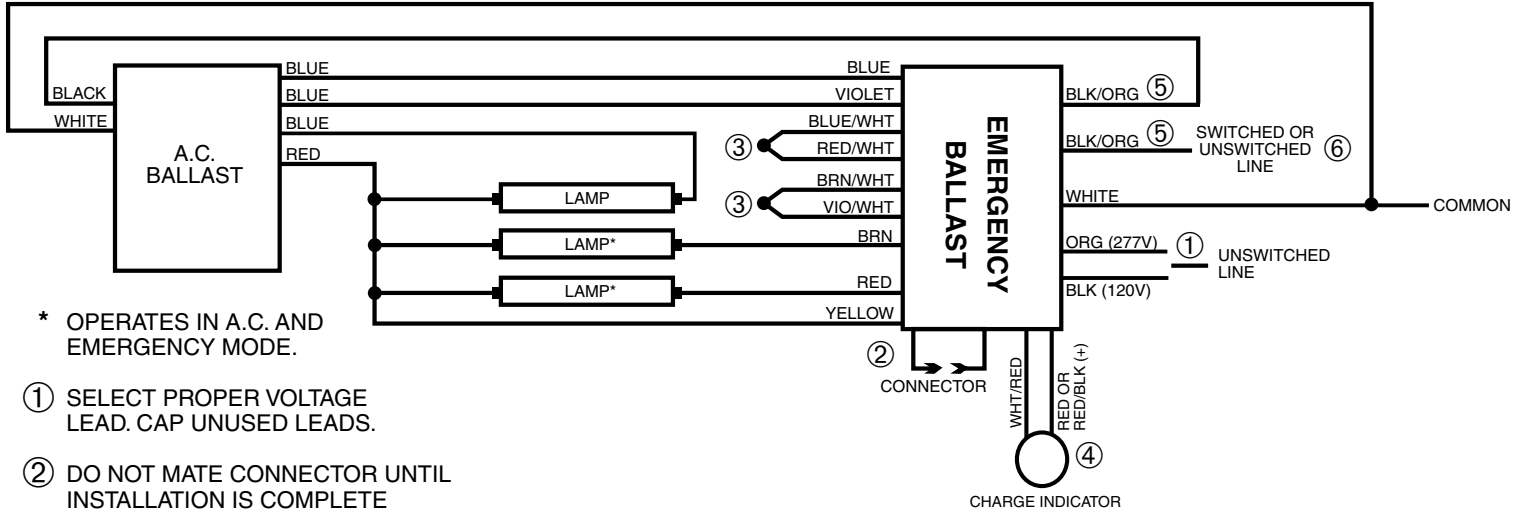
* OPERATES IN A.C. AND EMERGENCY MODE.

- ① SELECT PROPER VOLTAGE LEAD. CAP UNUSED LEADS.
- ② DO NOT MATE CONNECTOR UNTIL INSTALLATION IS COMPLETE AND A.C. POWER IS SUPPLIED.
- ③ PIGTAIL LEADS TOGETHER.
- ④ TEST ACCESSORY LEADS - REFER TO INSTALLATION INSTRUCTIONS FOR PROPER POLARITY LEAD WIRING.
- ⑤ NO POLARITY ON BLK/ORG LEADS.
- ⑥ SWITCHED OR UNSWITCHED LINE- REFER TO INSTALLATION MANUAL FOR HOT AND TEST SWITCH PLACEMENT.

2LISB_232_D

NOTES

THREE LAMP INSTANT START BALLAST

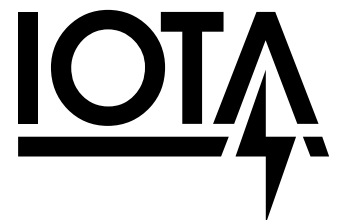


* OPERATES IN A.C. AND EMERGENCY MODE.

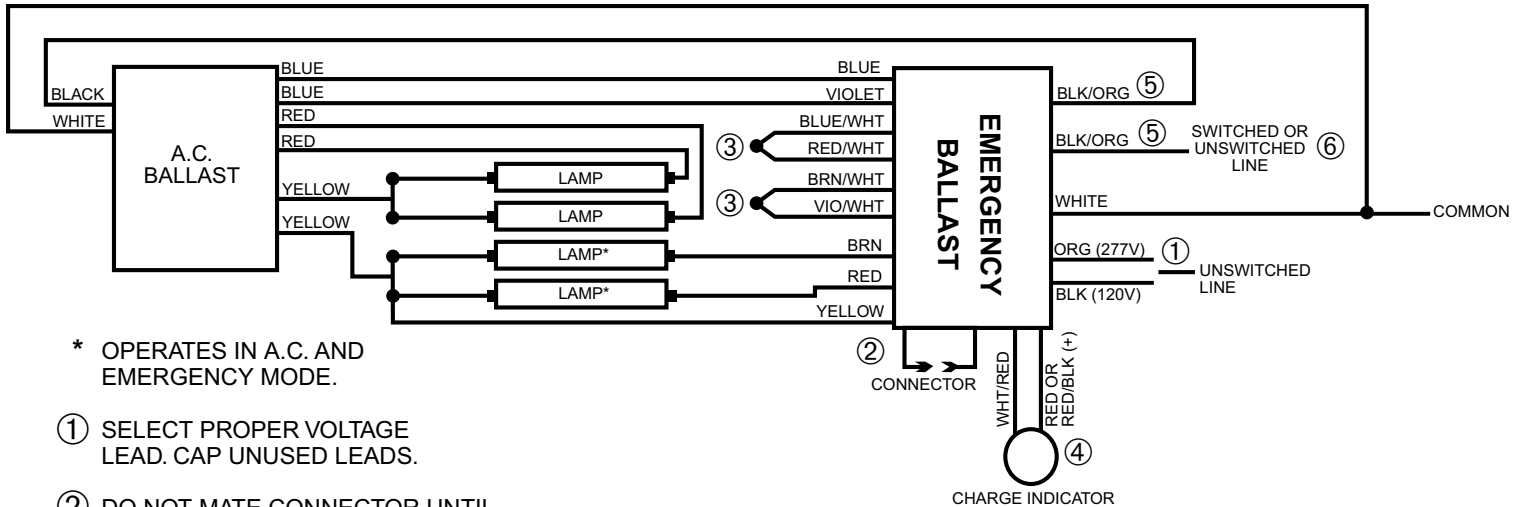
- ① SELECT PROPER VOLTAGE LEAD. CAP UNUSED LEADS.
- ② DO NOT MATE CONNECTOR UNTIL INSTALLATION IS COMPLETE AND A.C. POWER IS SUPPLIED.
- ③ PIGTAIL LEADS TOGETHER.
- ④ TEST ACCESSORY LEADS - REFER TO INSTALLATION INSTRUCTIONS FOR PROPER POLARITY LEAD WIRING.
- ⑤ NO POLARITY ON BLK/ORG LEADS.
- ⑥ SWITCHED OR UNSWITCHED LINE- REFER TO INSTALLATION MANUAL FOR HOT AND TEST SWITCH PLACEMENT.

3LISB_232_D

NOTES



FOUR LAMP INSTANT START BALLAST

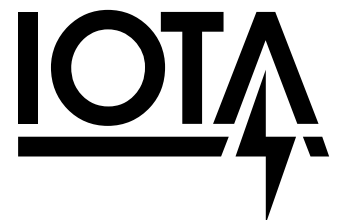


* OPERATES IN A.C. AND EMERGENCY MODE.

- ① SELECT PROPER VOLTAGE LEAD. CAP UNUSED LEADS.
- ② DO NOT MATE CONNECTOR UNTIL INSTALLATION IS COMPLETE AND A.C. POWER IS SUPPLIED.
- ③ PIGTAIL LEADS TOGETHER.
- ④ TEST ACCESSORY LEADS - REFER TO INSTALLATION INSTRUCTIONS FOR PROPER POLARITY LEAD WIRING.
- ⑤ NO POLARITY ON BLK/ORG LEADS.
- ⑥ SWITCHED OR UNSWITCHED LINE- REFER TO INSTALLATION MANUAL FOR HOT AND TEST SWITCH PLACEMENT.

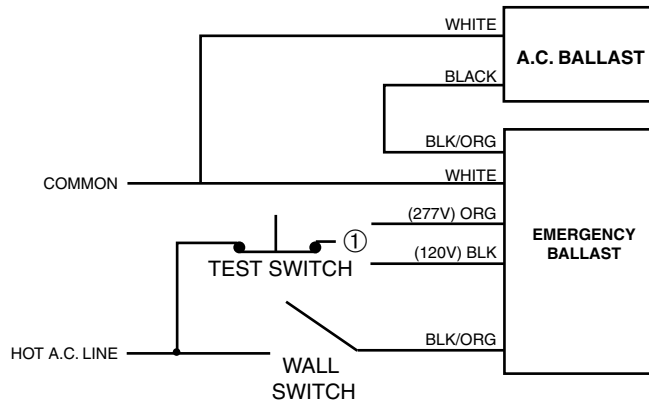
4LISB_232_D

NOTES



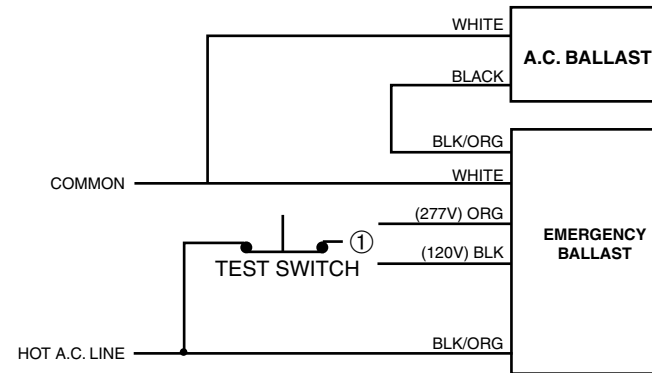
SWITCH 12

Switched Fixture



① Select proper voltage lead. Cap unused lead.

Unswitched Fixture



① Select proper voltage lead. Cap unused lead.

DESCRIPTION	
Series D I-232	
FILE	
SeriesD_232.eps	

