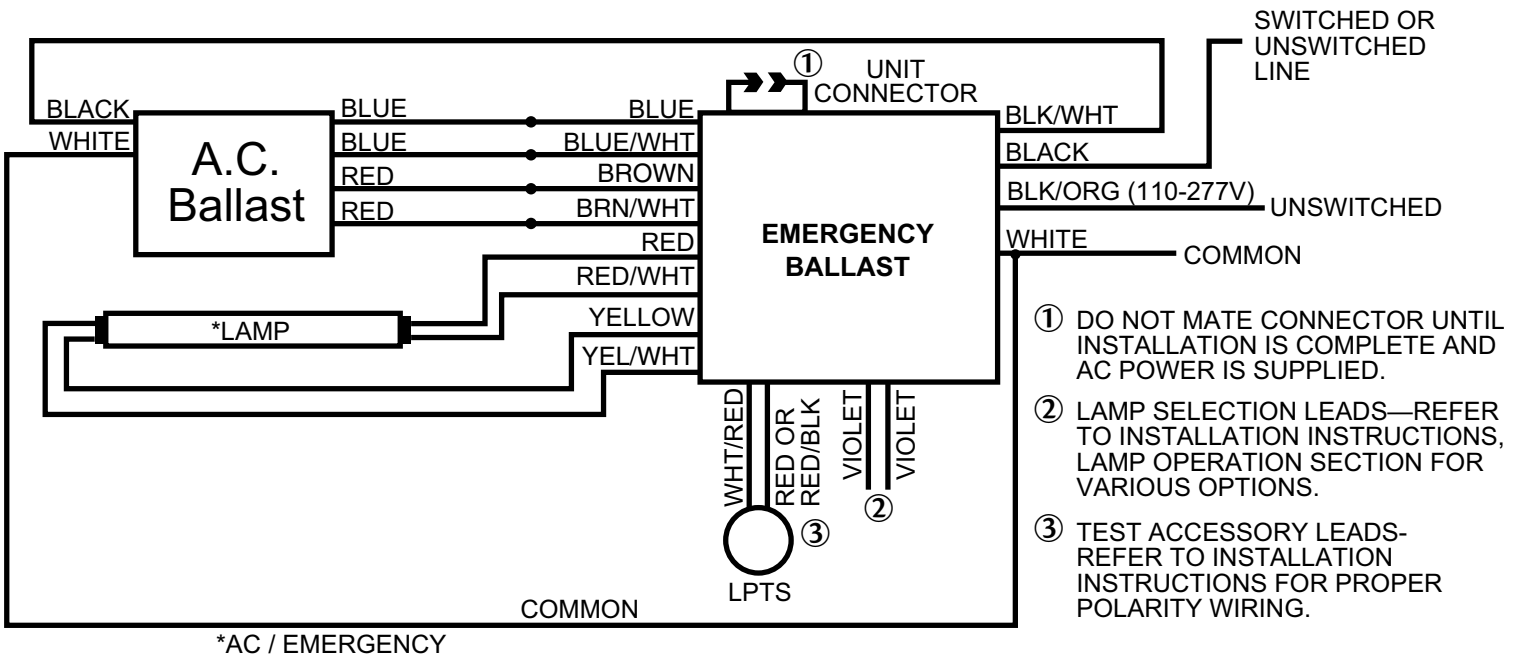


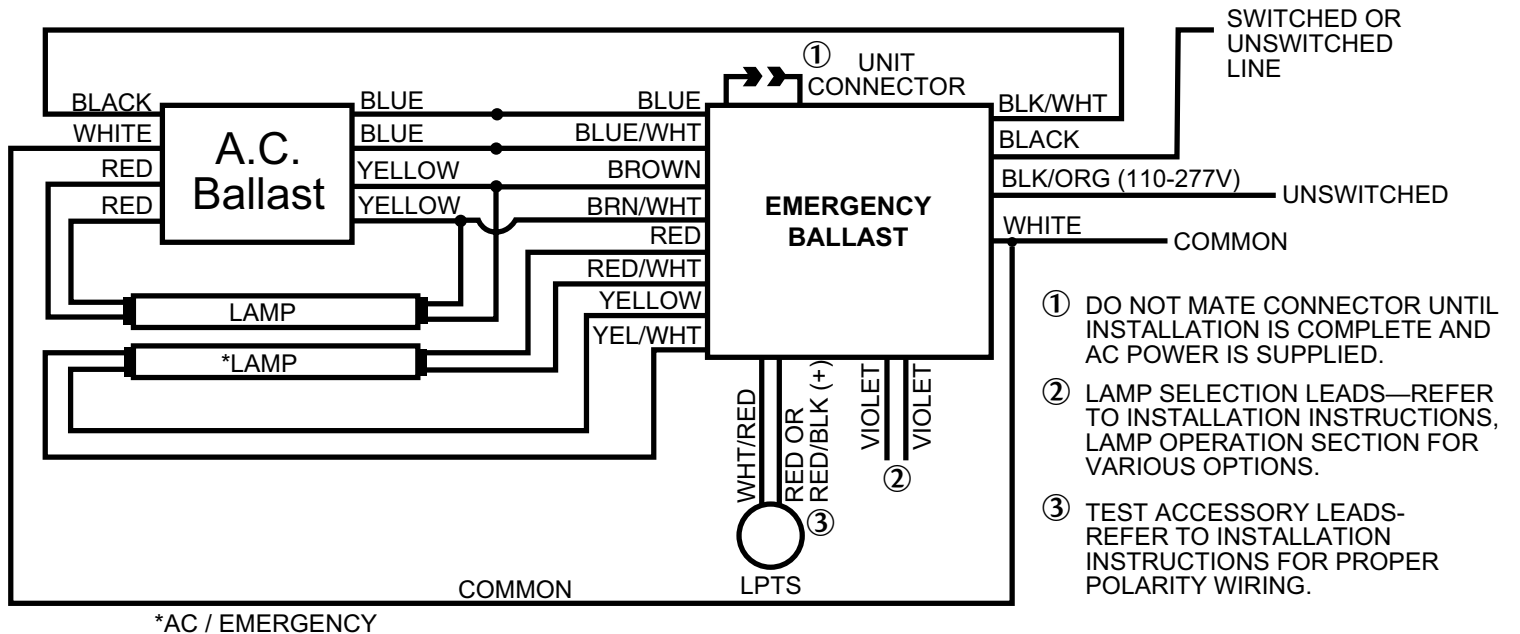
ONE LAMP RAPID START BALLAST



ISD80AC_1

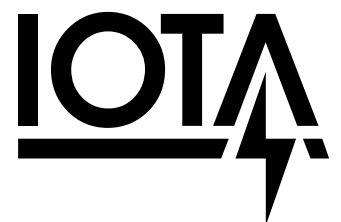
NOTES

TWO LAMP RAPID START BALLAST

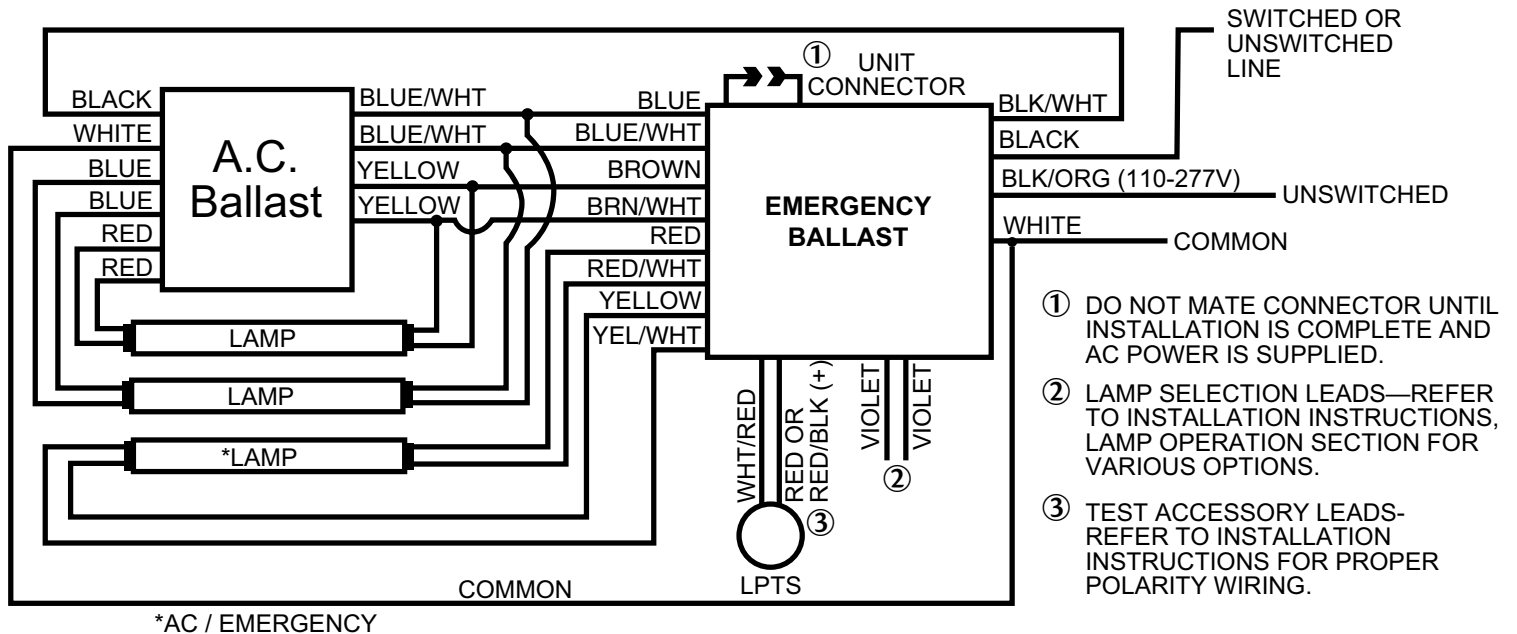


ISD80AC_2

NOTES

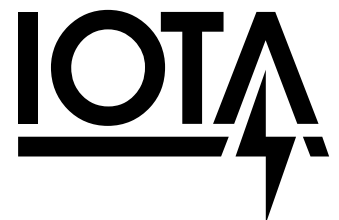


THREE LAMP RAPID START BALLAST

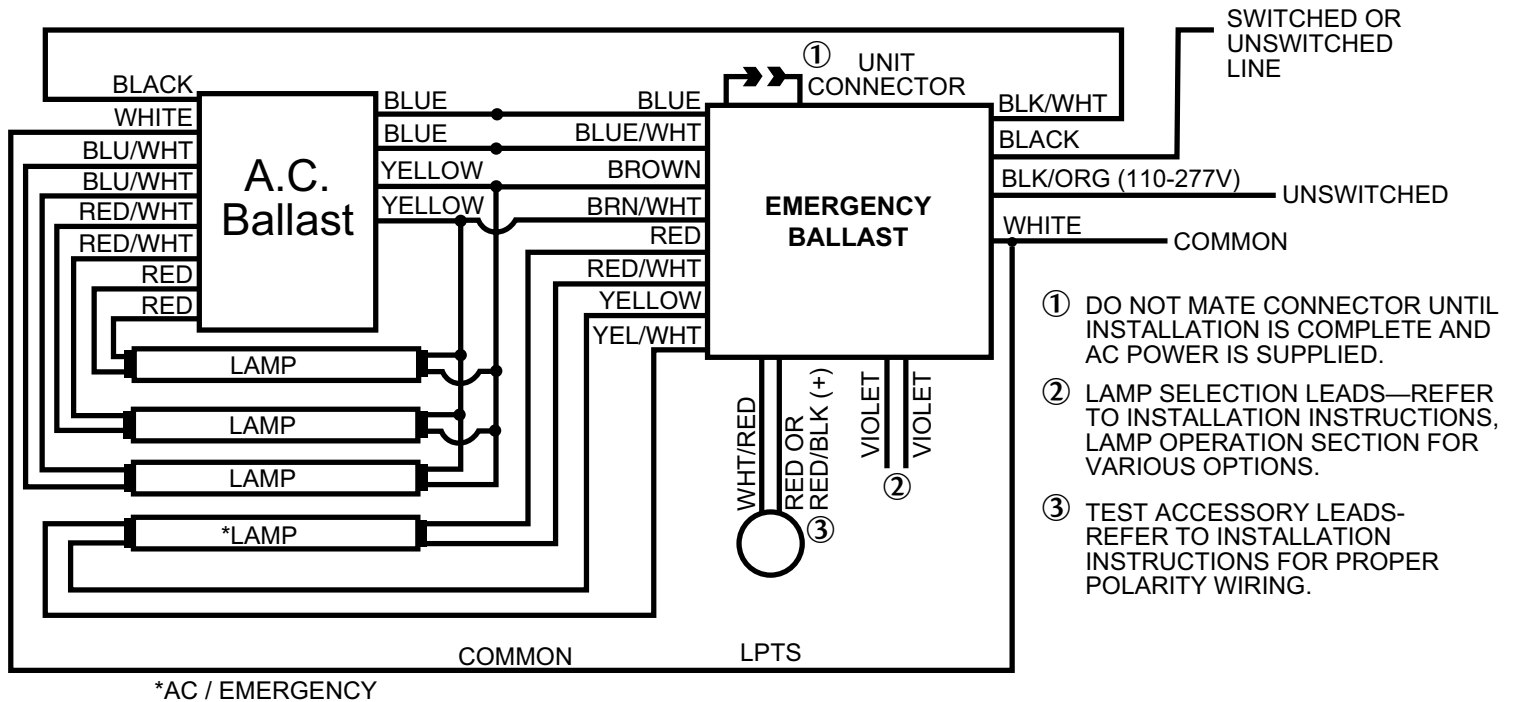


ISD80AC_3

NOTES

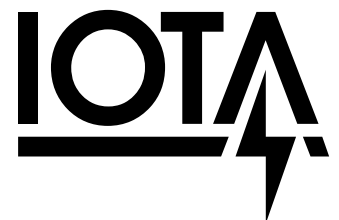


FOUR LAMP RAPID START BALLAST

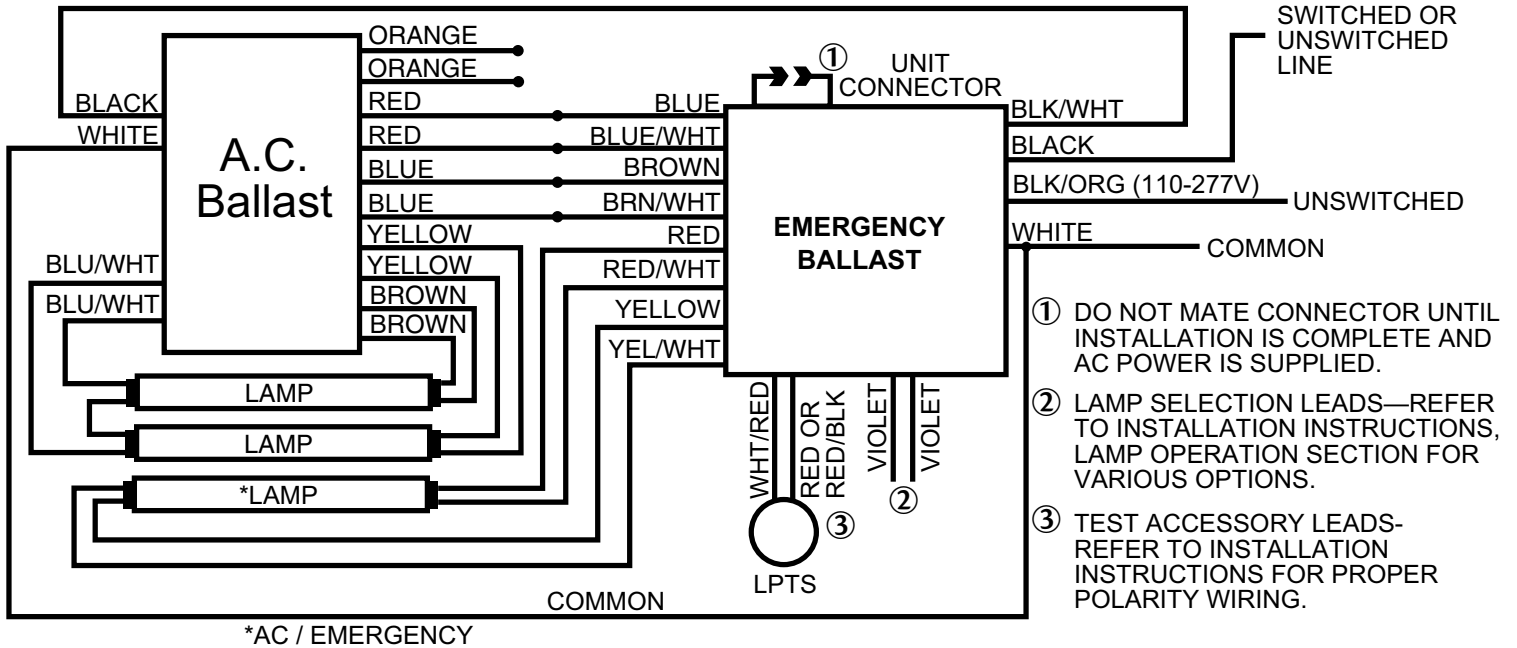


ISD80AC_4LAMP1

NOTES



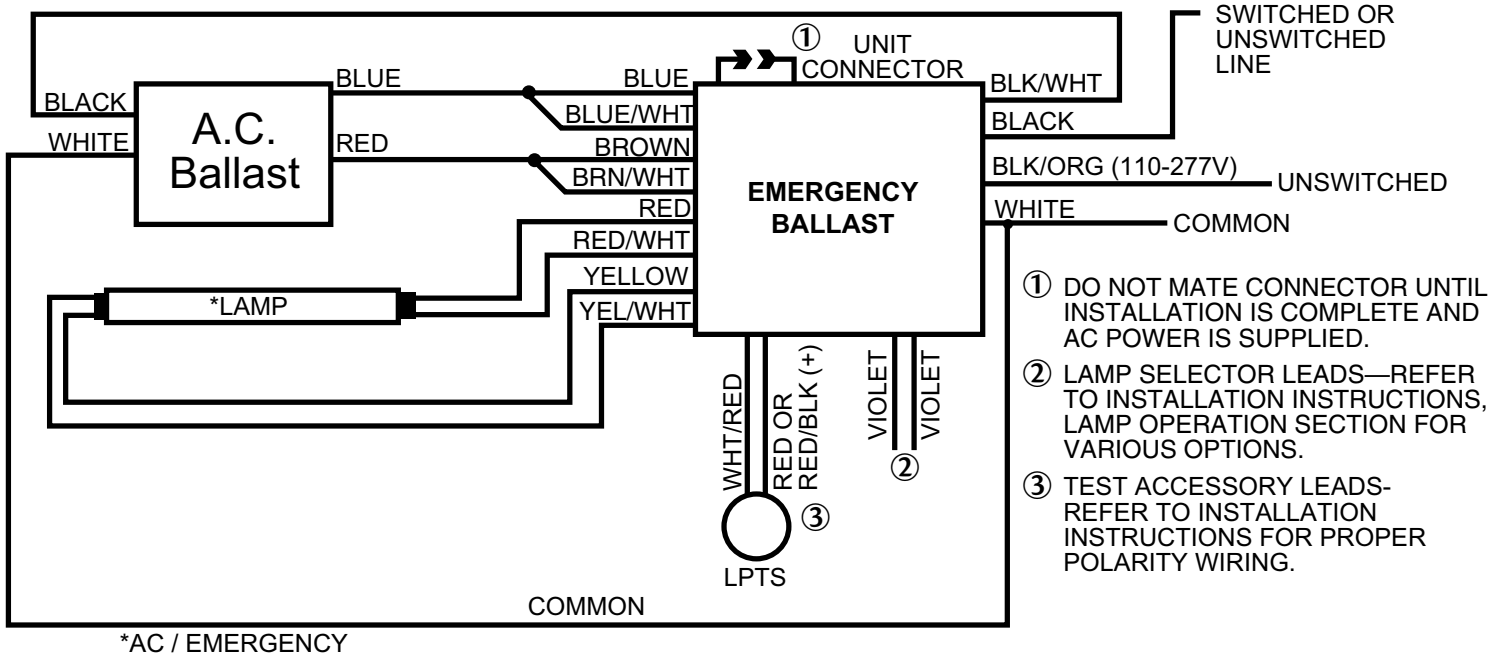
THREE LAMP RAPID START BALLAST



ISD80AC_17

NOTES

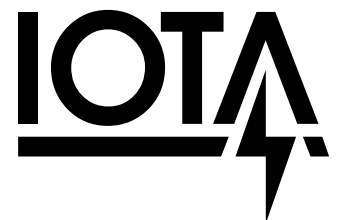
ONE LAMP INSTANT START BALLAST



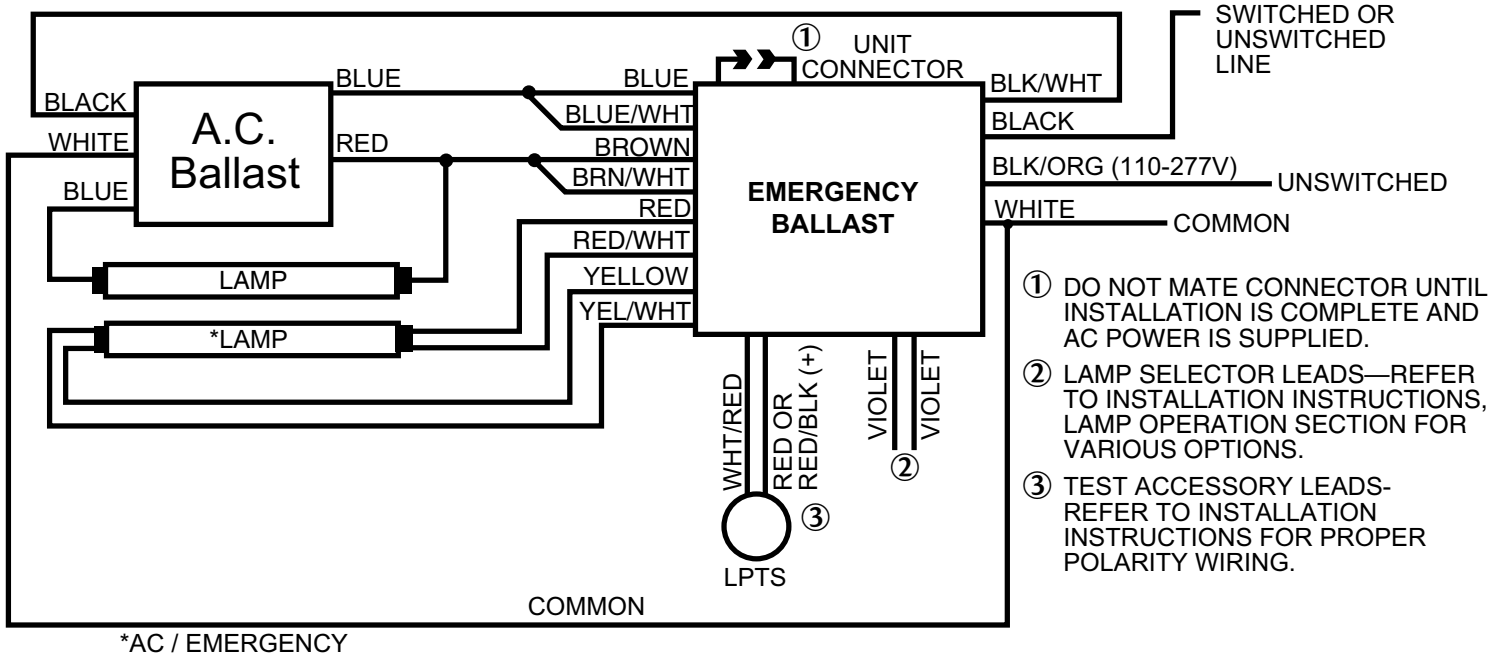
ATTENTION: FOR INSTANT START APPLICATIONS, EMERGENCY LAMP SOCKET PINS MUST BE WIRED INDEPENDENTLY FROM EACH OTHER TO AVOID SHORTING THE EMERGENCY OUTPUT CIRCUIT. DO NOT USE INSTANT START SOCKETS FOR THE EMERGENCY LAMP.

ISD80AC_4

NOTES



TWO LAMP INSTANT START BALLAST

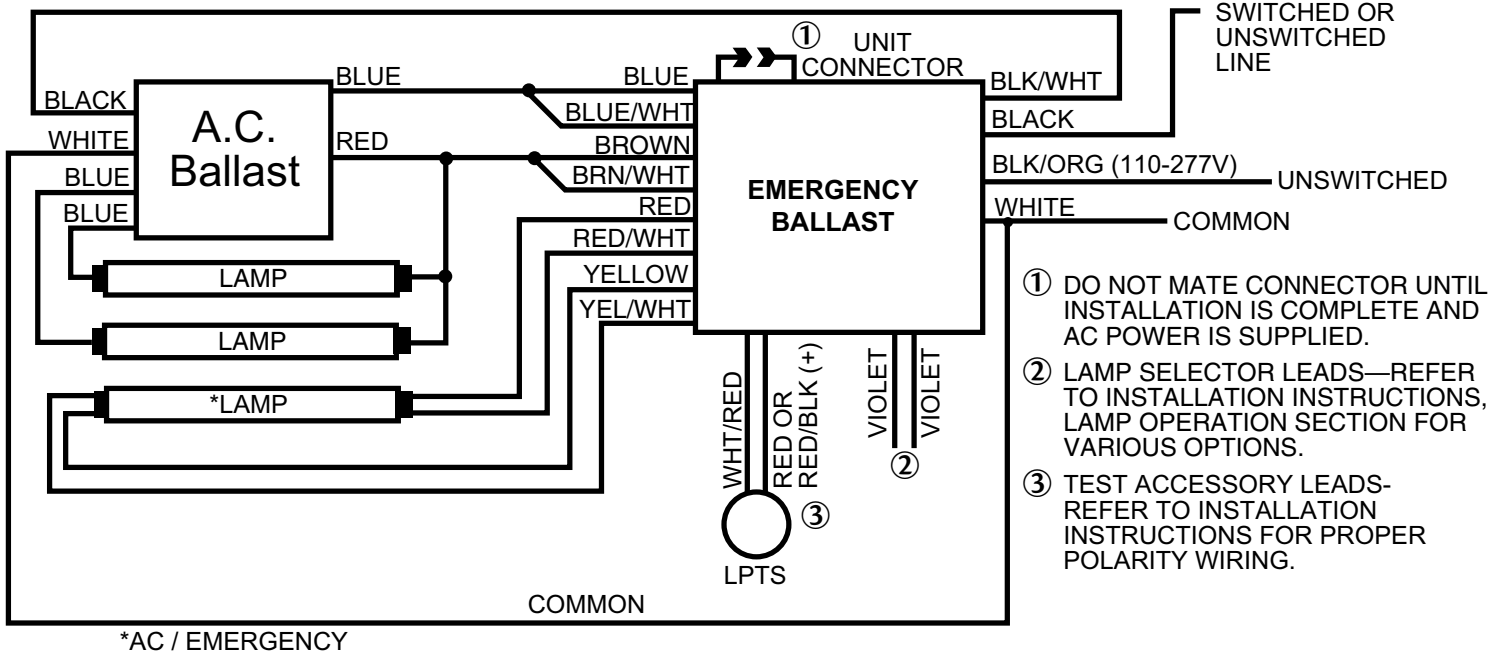


ATTENTION: FOR INSTANT START APPLICATIONS, EMERGENCY LAMP SOCKET PINS MUST BE WIRED INDEPENDENTLY FROM EACH OTHER TO AVOID SHORTING THE EMERGENCY OUTPUT CIRCUIT. DO NOT USE INSTANT START SOCKETS FOR THE EMERGENCY LAMP.

ISD80AC_6

NOTES

THREE LAMP INSTANT START BALLAST

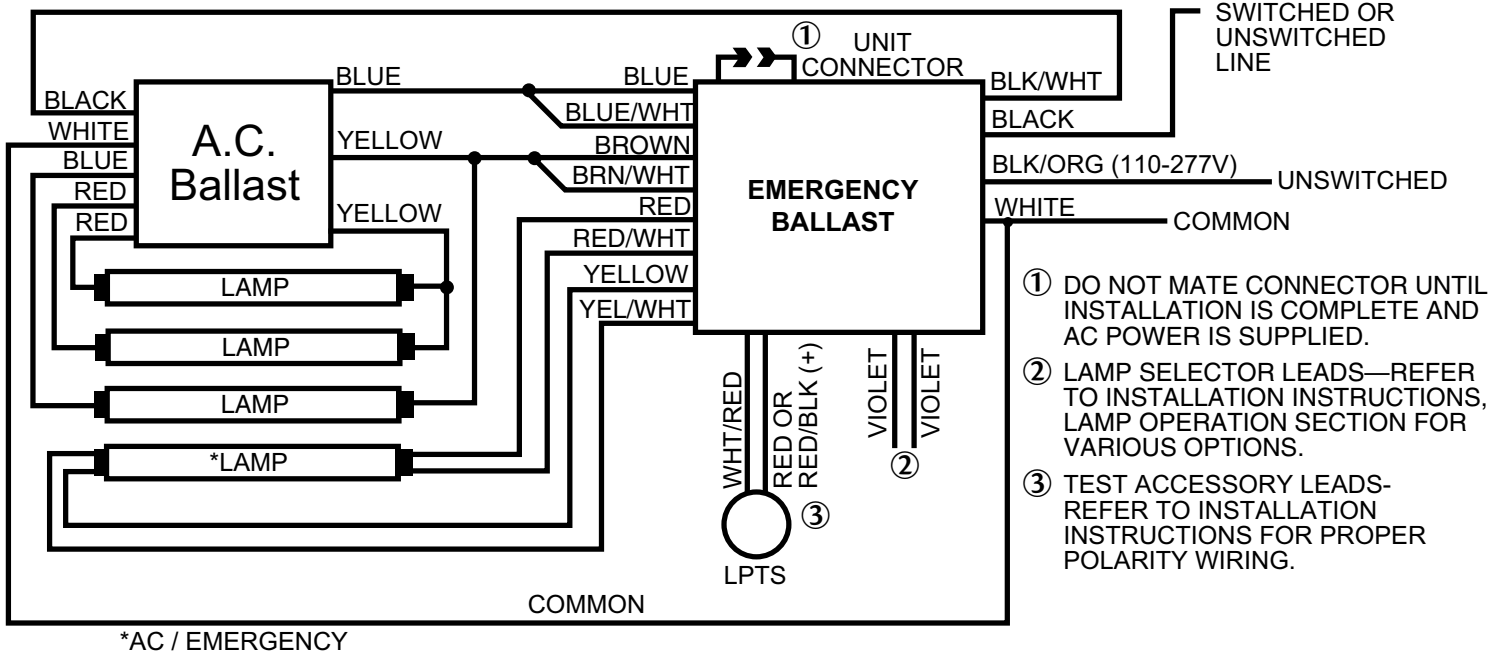


ATTENTION: FOR INSTANT START APPLICATIONS, EMERGENCY LAMP SOCKET PINS MUST BE WIRED INDEPENDENTLY FROM EACH OTHER TO AVOID SHORTING THE EMERGENCY OUTPUT CIRCUIT. DO NOT USE INSTANT START SOCKETS FOR THE EMERGENCY LAMP.

ISD80AC_7

NOTES

FOUR LAMP INSTANT START BALLAST



ATTENTION: FOR INSTANT START APPLICATIONS, EMERGENCY LAMP SOCKET PINS MUST BE WIRED INDEPENDENTLY FROM EACH OTHER TO AVOID SHORTING THE EMERGENCY OUTPUT CIRCUIT. DO NOT USE INSTANT START SOCKETS FOR THE EMERGENCY LAMP.

ISD80AC_8

NOTES