



Item#: **PLT-10747**  
**LANDSCAPE LIGHTING**  
 BRASS PACIFIC COVER COMPOSITE  
 IN-GROUND

The Pacific landscape light is a heavy duty in ground low voltage outdoor fixture with an adjustable socket for precise lighting.

**FEATURES**

- Tempered heat resistant glass
- SJTW 18# wire
- Silicone Wire Nuts are included

**APPLICATION**

Ideal for in ground landscape, pathway and accent lighting

**ELECTRICAL**

Supported Lamp Type	MR16
Voltage	12V
Base	GU5.3

**LIGHTING PERFORMANCE**

Beam Angle	Flood
Dimmable Lighting Control	

**ENVIRONMENT**

Suitable Location	<b>WET</b>
Ingress Protection Rating	IP68

**LIFESPAN**

Warranty (Years)	<b>5</b>
------------------	----------

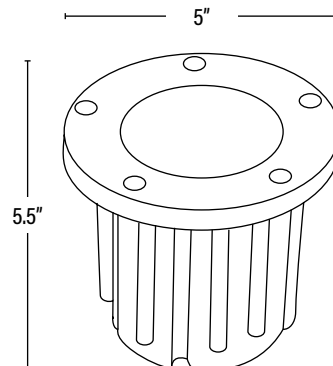
**CONSTRUCTION**

Housing	Brass / Nylon
Lens	Clear
Base / Power Supply	Hard Wired
Finish	Bronze

**DIMENSIONS** (Inches)

Length	--
Width/Diameter	5"
Height	5.5"
Weight (Lbs)	--

Line drawings may not be to scale and are for general reference only.



Item#: **PLT-10747**  
**LANDSCAPE LIGHTING**

<b>PACKAGING</b>		<b>UPC</b>	<b>DIMENSIONS (LxWxH)</b>	<b>GROSS WEIGHT (Lbs)</b>
Master Carton	20	10811768027911	--	--
Individual Box	1	811768027914	--	--
Country of Origin	China			
HS Tariff	9405.40.6000			

**ORDERING**

<b>ITEM#</b>	<b>DESCRIPTION</b>	<b>CASE</b>
PLT-10747	BRASS PACIFIC COVER COMPOSITE IN-GROUND/MR16/12V/BRONZE	20