



RETROFIT LED T8 U6 LAMP INSTALLATION GUIDE

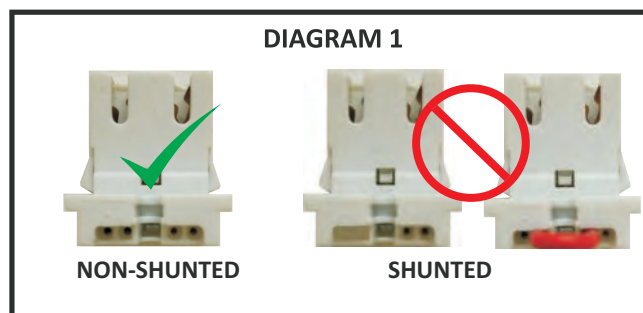
The retrofit kit includes one (1) LED tube, one (1) installation instruction, and one (1) field-applied “Modified Luminaire” label.

The T8 LED tubes are intended to retrofit a type Non-IC or type IC recessed enclosed fluorescent luminaire with straight tubular lamps.

CAUTIONS AND WARNINGS

This product must be installed in accordance with the applicable installation code by a person familiar with the construction and operation of the product and the hazards involved.

- **WARNING— RISK OF FIRE OR ELECTRIC SHOCK.** LED Retrofit Kit installation requires knowledge of luminaire electrical systems. Installation should be performed only by a qualified electrician in accordance with the National Electrical Code and relevant local code.
- **WARNING— RISK OF FIRE OR ELECTRIC SHOCK.** Install this kit only in luminaires that has the construction features and dimensions shown in the photographs and/or drawings.
- **WARNING** – To prevent wiring damage or abrasion, do not expose wiring to edges of sheet metal or other sharp objects. Do not make or alter any open holes in an enclosure of wiring or electrical components during kit installation.
- **WARNING – RISK OF FIRE OR ELECTRIC SHOCK.** This item is rated **120V 60Hz**. The installer must determine whether line voltage 120V is available at the luminaire before installation.
- **DANGER—RISK OF ELECTRIC SHOCK.** Disconnect power before installation.
- **WARNING** – To avoid potential fire or shock hazard, do not use this retrofit kit in luminaires employing shunted bi-pin lampholders. Note: Shunted lampholders are found only in fluorescent luminaires with Instant-Start ballasts. Instant-start ballasts can be identified by the words “instant start” or I.S.” marked on the ballast. This designation may be in the form of a statement pertaining to the ballast itself, or may be combined with the marking for the lamps with which the ballast is intended to be used, for example F40T12/IS. For more information, contact the LED luminaire retrofit kit manufacturer.
- Suitable for use with **NON-SHUNTED** Lampholders only. See Diagram 1 below.
- Installers should not disconnect existing wires from lampholder terminals to make new connections at lampholder terminals. Instead, installers should cut existing lampholder leads away from the lampholder and make new electrical connections to the lampholder lead wires by employing applicable connectors.
- The products are suitable for use in DAMP locations.
- This lamp is non-dimmable. Not for use with Dimmers.
- Not intended for use with emergency exit fixtures or emergency exit lights.
- Complies with Part 15 of FCC. Operation is subject to the following two conditions: (1) This device may not cause harmful interference, and (2) This device must accept any interference received including interference that may cause undesired operation.





RETROFIT LED T8 U6 LAMP INSTALLATION GUIDE

Step 1: Verify that all contents of the retrofit kit are included. Read the entire installation guide before proceeding on to the next step.

Step 2: Disconnect power to the circuit at the breaker.

Step 3: Remove lens, if applicable, remove fluorescent lamps and ballast cover.

Step 4: As shown by Diagram 2, cut all wires that connect to the ballast. Cut the wires close to the ballast to allow for longer lengths of wire connected to the lampholder. Properly discard ballast or leave it in the fixture with the wires capped off.

Step 5a: If applicable, replace lampholders at the power-end of the luminaire with non-shunted lampholders. Otherwise, Proceed to Step 6.

Step 5b: As shown by Diagram 3, connect Live/Hot (L) from the power source into the one end of the lampholder and connect the Neutral (N) from the power source into the other end of the lampholder. Proceed to Step 7.

Step 6: As shown by Diagram 4, connect Live/Hot (L) from power source to one wire of a lampholder and connect Neutral (N) from the power source to the other wire of the lampholder.

Step 7: If installing multiple lamps, repeat step 6 as shown by Diagram 5.

Step 8: The lamps are powered on one end ONLY. The end is marked by "L" and "N".

Step 9: Install lamp with the "L" and "N" inserted into the wired lampholder end, as shown by Diagram 6.

Step 10: Apply the "Modified Luminaire Label" to the fixture.

Step 11: Reconnect power to the circuit. Test lamps for proper operation.

DIAGRAM 2

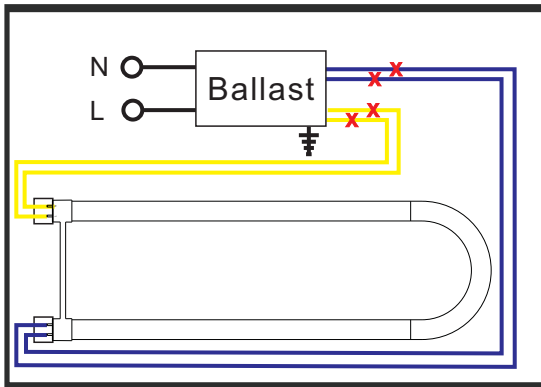


DIAGRAM 3

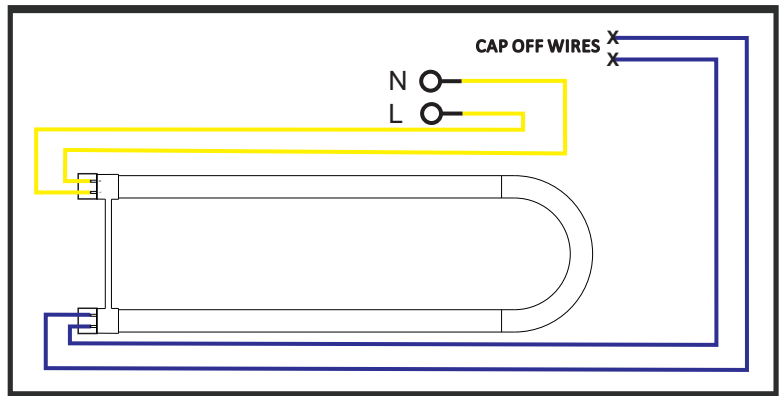


DIAGRAM 4

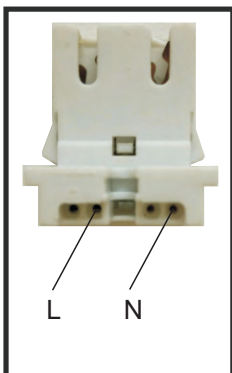


DIAGRAM 5

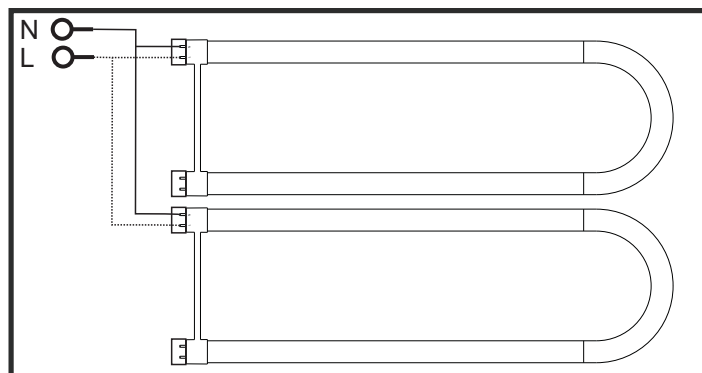


DIAGRAM 6

