

# 20067

## LED CANOPY/45W

### TECHNICAL DATA SHEET

#### FEATURES



#### Parking Garage Luminaires

- Ultra-thin design
- Replaces 100-175W MH

#### HOUSING

- Sealed die-casting profile for indoor applications
- Polycarbonate optical lens with heat resisting

#### MOUNTING

- Three 1/2" threaded conduit and one 3/4" conduit entry points

#### APPLICATION

Parking structures and storage areas

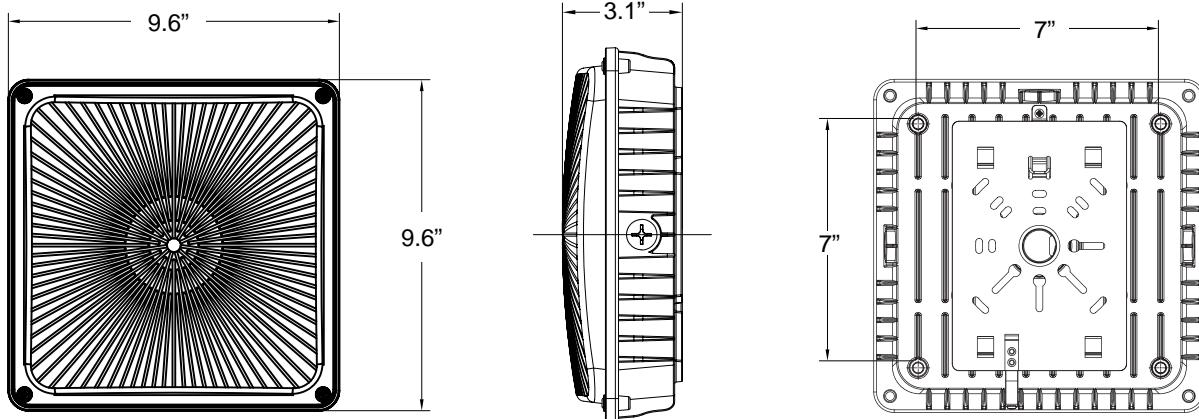
#### SPECIFICATIONS

<b>Power Consumption</b>	<b>45W</b>
Input Voltage	100-277V
Lumens	4000
Luminous Efficiency	89 Lm/W
Color Temperature	4000K
CRI	83
Housing	Die-Cast Aluminum
Lens	PC Cover
Finish	Black
Dimensions (Inches)	9.6"(L) x 9.6"(W) x 3.1"(D)
<b>LIFESPAN &amp; ENVIRONMENT</b>	
Average Life	50,000
Operating Temperature	-25°C ~ 40°C

SUITABLE FOR  
**WET**  
LOCATIONS



#### DIMENSIONS



#### ORDERING

ITEM#	DESCRIPTION	WATTS	COLOR	LUMENS	CRI	VOLTS	HOURS	CASE
20067	LED CANOPY 45W/40K/100-277V/BLACK	45	4000K	4000	83	100-277	50,000	1