



# LED ESPL4-2050fe



## Product Description

**LED** ESPL4-2050fe delivers superior brightness, valuable energy savings and long lasting performance. This LED Shop Light is ideal for task lighting due to its uniform \*cool white light (5000K) and replaces 75 Watt lamps. Enjoy features such as: instant on, shatter resistance, mercury free and connectivity with up to 10 other lamps.



**Estimated Energy Cost:** \$5.05 per year

### Linkable

Connect up to 10 lights!  
Hanging chain & linking hardware are Included.

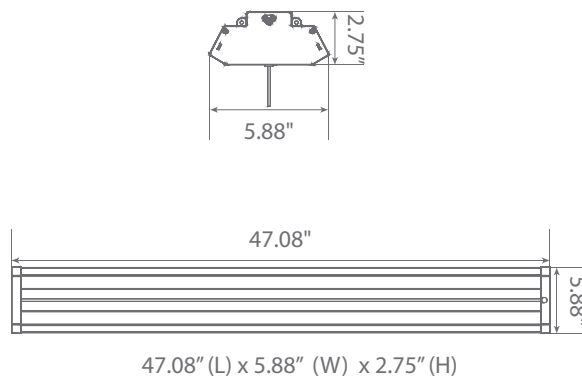
## Specifications

Input Power	Input Voltage	Lumen Output	Beam Angle	Center Beam	CCT
42 W	120 V / 60 Hz	4300 lm	110°	N/A	5000 K
CRI	Luminous Efficacy	Power Factor	Input Current	Base/Cap	Lamp Lifespan
80	102 lm/W	0.9	0.43 A	Plug-in	50,000 Hrs.

### Product Features

- Easy and fast installation
- Instant-On/Off
- Mercury Free
- Damp Rated

### Product Dimensions



### Product Photometric Data

