

# ProLED® Double Ended Bypass T8 LED Installation Instructions



## Wiring Instruction Electronic Ballast

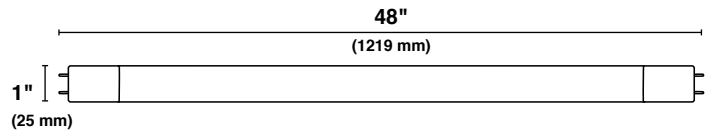
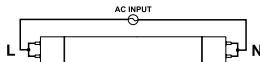
## Operation Instruction

Product Model: T8-LED — Double ended By Pass/Line Voltage  
Product Name: LED T8 Tube Series

### 1. Product Features:

- UL certified
- Full glass housing: No Aging, Yellowing, Bending.

- Double ended:



### 2. Product Applications:

Widely used in residential buildings, offices, shopping malls, supermarkets, hospitals, assembly lines, warehouses, etc. for energy saving illumination.

### 3. Installation Instructions:

Please completely comply with these instructions and notes, to ensure that the product is operated in a safe condition.

### ⚠ Safety Precautions:

For your and others' safety, please read the precaution carefully before installation:

- (1). Product should be installed by qualified electrician.
- (2). Switch off the power supply before commencing work, make sure correct connection before power on.
- (3). NOT FOR EMERGENCY LIGHTING.

### IMPORTANT

READ INSTRUCTIONS CAREFULLY BEFORE INSTALLING. KEEP THESE INSTRUCTIONS FOR FUTURE REFERENCE.

ProLED luminaires must be wired in accordance with the National Electrical Code and all applicable local codes. Proper grounding is required for safety. THIS PRODUCT MUST BE INSTALLED IN ACCORDANCE WITH THE APPLICABLE INSTALLATION CODE BY A QUALIFIED ELECTRICIAN WHO IS FAMILIAR WITH THE CONSTRUCTION AND OPERATION OF THE PRODUCT AND THE HAZARDS INVOLVED.

**WARNING** - Risk of fire or electric shock. ProLED Bypass 78 Series installation requires knowledge of the luminaires' electrical systems. If not qualified, DO NOT attempt installation. Contact a qualified electrician.

**WARNING** - Installers should not disconnect existing wires from lamp holder terminals to make new connections at lamp holder terminals. Instead, installers should cut existing lamp holder leads away from the lamp holder and make new electrical connections to lamp holder lead wires by employing applicable connectors.

**WARNING** - Risk of fire or electric shock. Install this kit only in the luminaires that have the construction features and dimensions shown in the photographs and/or drawings. DO NOT make or alter any open holes in an enclosure of wiring or electrical components during kit installation.

**WARNING** - To prevent wiring damage or abrasion, DO NOT expose wiring to edges of sheet metal or other sharp objects.

**WARNING** - Risk of fire or electric shock. DO NOT alter, relocate, or remove wiring, lampholders, power supply, or any other electrical component.

**WARNING** - This device is not intended for use with emergency exits.

### WARRANTY INFORMATION:

This product is warranted for 5 years from the date of purchase. If this product does not perform to the specifications supplied on this package, send an email or write to the address below for product return and replacement. This replacement is the sole remedy available. Liability for incidental or consequential damage is expressly excluded. Visit [www.halcolighting.com](http://www.halcolighting.com) for full warranty details and dimmer compatibility information.

### WARRANTY INFORMATION:

This product is warranted for 5 years from the date of purchase. If this product does not perform to the specifications supplied on this package, send an email or write to the address below for product return and replacement. This replacement is the sole remedy available. Liability for incidental or consequential damage is expressly excluded. Visit [www.halcolighting.com](http://www.halcolighting.com) for full warranty details and dimmer compatibility information.

### INSTALLATION INSTRUCTIONS:

Please completely comply with these instructions and notes, to ensure that the product is operated in a safe condition.

### SAFETY RECAUTIONS:

For your and other's safety, please read the warnings carefully before installation:

1. Product should be installed by a qualified electrician.
2. Switch off the power supply before commencing to work, make sure the correct connection has power before power on.
3. NOT FOR EMERGENCY LIGHTING.
4. OPERATED WITH METAL LUMINAIRE ONLY.

# ProLED® Double Ended Bypass T8 LED Installation Instructions

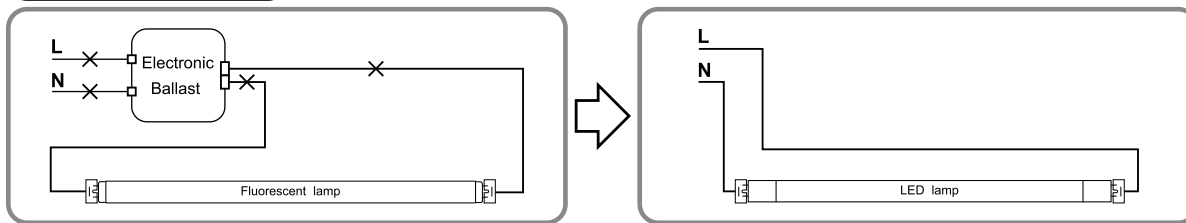


**⚠ The below ballast wiring represents typical configuration.**  
The actual ballast wiring varies according to ballast model. It is not needed to change socket (if in good condition) to operate double ended lamps, regardless the type of sockets. Please make sure one side of fixture is connected to Live (L) and the other side to Neutral (N).

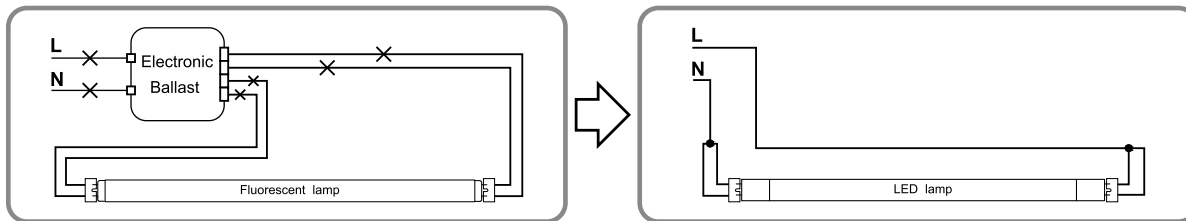
## Wiring Instruction

### Retrofit luminaire with 1 lamp

#### Instant Start

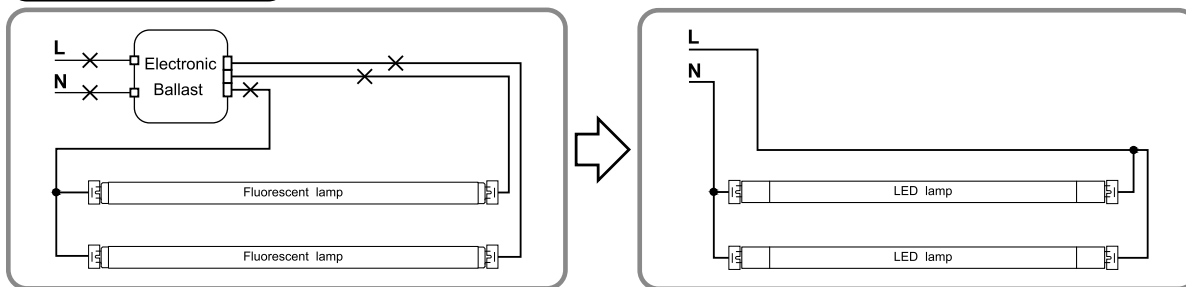


#### Program Start or Rapid Start

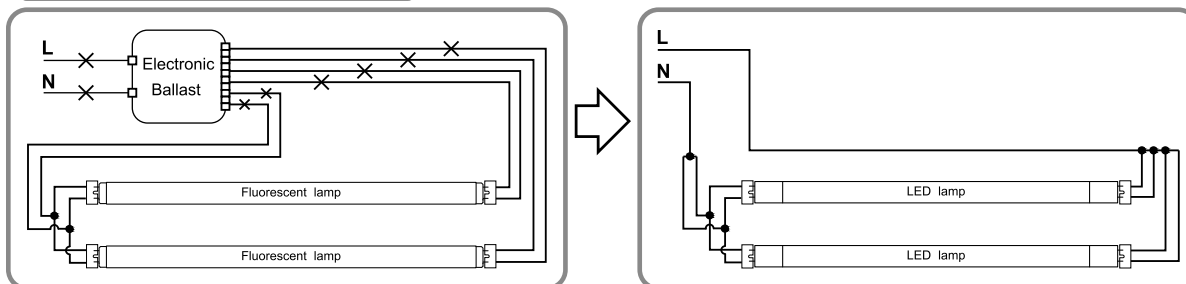


### Retrofit luminaire with 2 lamps

#### Instant start



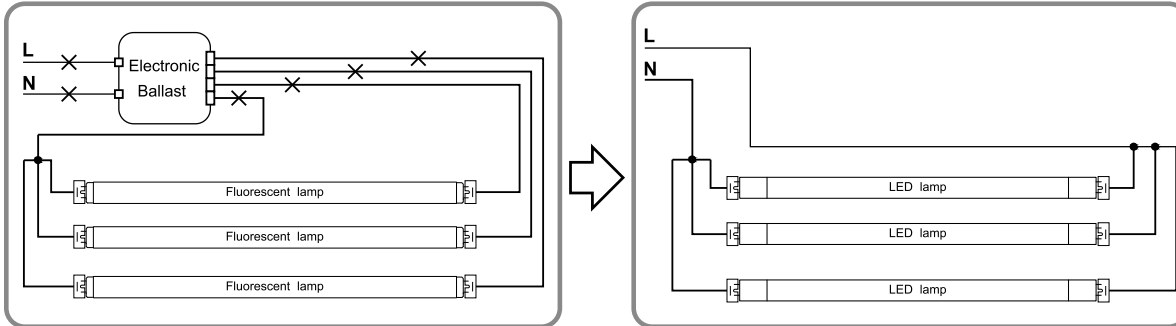
#### Program Start or Rapid Start



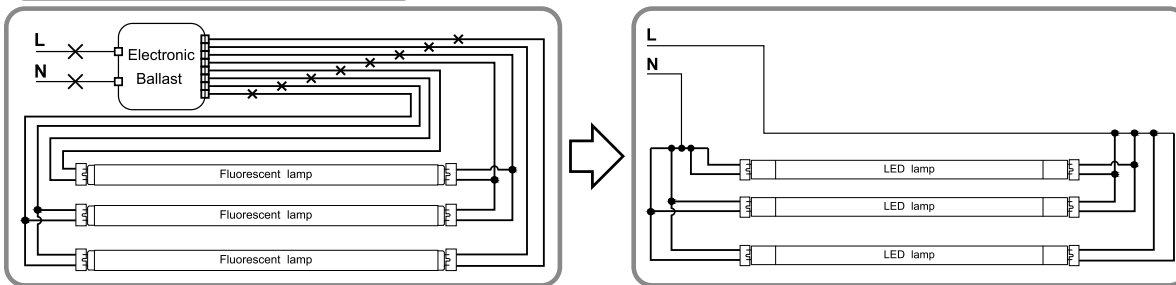
## Wiring Instruction

### Retrofit luminaire with 3 lamps

#### Instant start

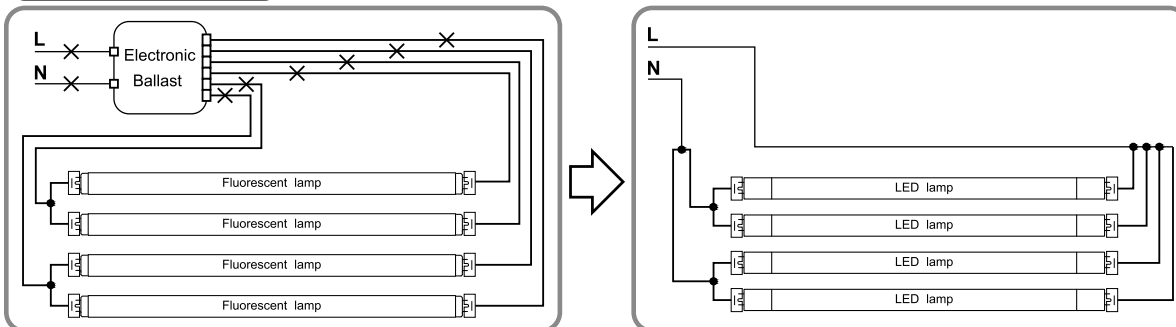


#### Program Start or Rapid Start

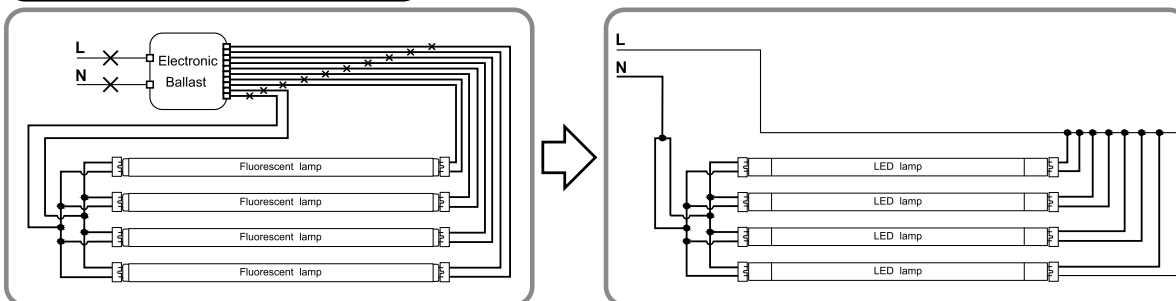


### Retrofit luminaire with 4 lamps

#### Instant start



#### Program Start or Rapid Start



# ProLED® Double Ended Bypass T8 LED Installation Instructions



## **WARNING:**

**WARNING - Risk of fire or electric shock.** LED Retrofit Kit installation requires knowledge of luminaire electrical systems. If not qualified, do not attempt installation. Contact a qualified electrician.

**AVERTISSEMENT - Risque d'incendie ou de choc électrique.** Installation du kit de Retrofit LED exige une connaissance des systèmes électriques lumineux. Si vous n'êtes pas qualifié, ne tentez pas de l'installation. Contactez un électricien qualifié.

**WARNING - Risk of fire or electric shock.** Install this kit only in the luminaires that have the construction features and dimensions shown in the photographs and/or drawings and where the input rating of the retrofit kit does not exceed the input rating of the luminaire.

**AVERTISSEMENT - Risque d'incendie ou de choc électrique.** Installez ce kit dans les luminaires qui ont les caractéristiques de construction et les dimensions indiquées dans les photographies et / ou dessins et où la cote d'entrée du kit de modification ne dépasse pas la capacité d'entrée du luminaire.

Do not make or alter any open holes in an enclosure of wiring or electrical components during kit installation.

Ne pas agrandir ou modifier les trous ouverts au sein du câblage ou sur les composants électriques lors de l'installation du kit.

**WARNING -To prevent wiring damage or abrasion, do not expose wiring to edges of sheet metal or other sharp objects.**

**AVERTISSEMENT - Pour éviter d'endommager le câblage ou à l'abrasion, ne pas exposer le câblage aux bords de tôle ou d'autres objets pointus.**

Installers should not disconnect existing wires from lamp holder terminals to make new connections at lamp holder terminals. Instead installers should cut existing lamp holder leads away from the lamp holder and make new electrical connections to lamp holder lead wires by employing applicable connectors.

Les installateurs ne doivent pas débrancher les câbles existants de terminaux de support de lampe pour faire de nouvelles connexions dans les douilles. Au lieu installateurs doivent couper les câbles existants de terminaux de support de lampe et faire de nouvelles connexions électriques en utilisant des connecteurs applicables.

THE RETROFIT ASSEMBLY IS ACCEPTED AS A COMPONENT OF A LUMINAIRE WHERE THE SUITABILITY OF THE COMBINATION SHALL BE DETERMINED BY UL OR AUTHORITIES HAVING JURISDICTION.  
LE MONTAGE DU RETROFIT EST ACCEPTÉE COMME COMPOSANT D'UN LUMINAIRE OÙ LA PERTINENCE DE LA COMBINAISON SERA DÉTERMINÉE PAR L'UL OU LES AUTORITÉS AYANT LA JURIDICTION CORRESPONDANTE.

THERE ARE LED TUBE, OPERATION INSTRUCTION AND FIELD APPLIED LABEL IN THIS RETROFIT KIT.

The units covered by this report were intended to retrofit surface mount with diffuser for these models, Type IC or non-IC recessed mount listed fluorescent luminaires that use maximum four tubular lamps, the minimum lamp compartment dimensions are tabulated below:

Model Number	MINIMUM LAMP COMPARTMENT DIMENSIONS [Length × Width × Height] [mm]	Lamp Quantity
T8FR14/835/BYP2/DE/LED	1262.8 x 76.2 x 50.7	4
T8FR14/840/BYP2/DE/LED	1262.8 x 76.2 x 50.7	4
T8FR14/850/BYP2/DE/LED	1262.8 x 76.2 x 50.7	4

This device complies with Part 15 of the FCC Rules. Operation is subject to the following two conditions:(1)this device may not cause harmful interference, and (2)this device must accept any interference received, including interference that may cause undesired operation.