

# ProLED® Vertical 4-Pin Plug-in LED Instructions



## IMPORTANT SAFETY INSTRUCTIONS

READ INSTRUCTIONS CAREFULLY BEFORE INSTALLING. KEEP THESE INSTRUCTIONS FOR FUTURE REFERENCE.

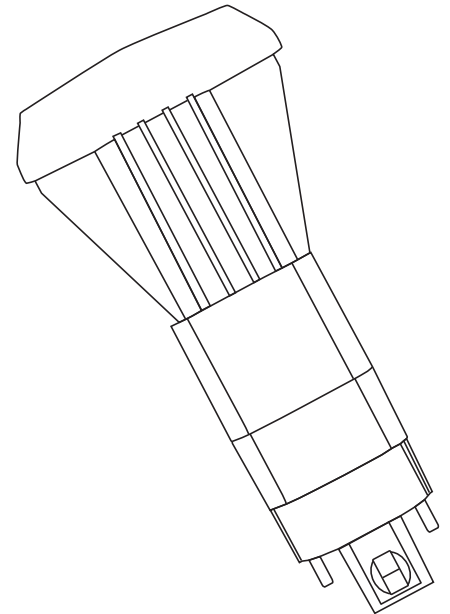
**DANGER** - RISK OF SHOCK-DISCONNECT POWER BEFORE INSTALLATION.

The retrofit kit including the following:

Retrofit Kits Model No.	Items	LED Lamp	Installation Instruction Sheet
81110	Quantities	1	1
81111			
81112			
81113			
81114			

The units covered in this report are intended to retrofit Type IC or non-IC recessed mount Listed luminaires with or without diffuser, with instructions to check the existing ballast and replacing fluorescent lamp(s) with LED Lamp(s). The minimum dimensions of lamp compartment of luminaires are tabulated below.

Product #	Lamp Base	Input Ratings		Mount Orientation	Maximum Lamps in Luminaire	Minimum Lamp Compartment of Luminaire Dimension Diameter x Height (cm)
		mA	W			
81110	G24q	320	13	Vertical	1	15.5 x 20
81111						
81112						
81113						
81114						



THIS PRODUCT MUST BE INSTALLED IN ACCORDANCE WITH THE APPLICABLE INSTALLATION CODE BY A PERSON FAMILIAR WITH THE CONSTRUCTION AND OPERATION OF THE PRODUCT AND THE HAZARDS INVOLVED.

**WARNING** - Risk of fire or electric shock. LED Retrofit Kit installation requires knowledge of luminaires electrical systems. If not qualified, do not attempt installation. Contact a qualified electrician.

**WARNING** - Risk of fire or electric shock. Install this kit only in the luminaires that has the construction features and dimensions shown in the photographs and/or drawings and where the input rating of the retrofit kit does not exceed the input rating of the luminaire.

**WARNING** - To prevent wiring damage or abrasion, do not expose wiring to edges of sheet metal or other sharp objects.

Do not make or alter any open holes in an enclosure of wiring or electrical components during kit installation.

Installers should not disconnect existing wires from lamp holder terminals to make new connections at lamp holder terminals. Instead installers should cut existing lampholder leads away from the lampholder and make new electrical connections to lampholder lead wires by employing applicable connectors.



THIS RETROFIT KIT IS ACCEPTED AS A COMPONENT OF A LUMINAIRE WHERE THE SUITABILITY OF THE COMBINATION SHALL BE DETERMINED BY AUTHORITIES HAVING JURISDICTION.

RISK OF ELECTRIC SHOCK – USE IN DRY AND DAMP LOCATION ONLY.

SUITABLE FOR TYPE IC OR NON-IC RECESSED LUMINAIRES WITH THROUGH-BRANCH WIRING MARKED “MAX.4 OF 12AWG CONDUCTORS.”

THIS DEVICE IS NOT INTENDED FOR USE WITH EMERGENCY EXITS

## Installation steps:

**STEP 1:** Check all the items of retrofit kit.

**STEP 2:** Check if the LED Lamp rating parameters can be replaced in this luminaire.

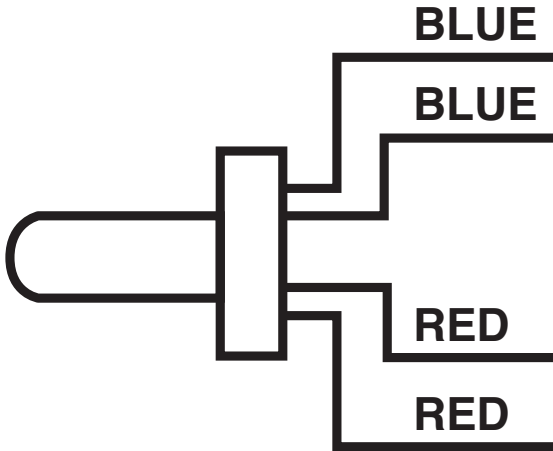
**STEP 3:** Make sure the circuit breaker that supplies power to the fixture is turned off.

**STEP 4:** Remove the diffuser (if provided) and the existing fluorescent lamp(s) from the fixture.

**STEP 5:** Check the ballast installed in the fixture is listed in below table. If not, don't make this retrofit.

**STEP 6:** Install the new LED Lamp(s) into the lampholder. Rotate lamps to the desired position.

**STEP 7:** Reinstall the diffuser (if provided) and turn power on at the breaker box and turn on the lights.



## Ballast List

Ballast UL File No.	Ballast MFR	Ballast Model
E14927	PHILIPS LIGHTING ELECTRONICS N A	ICF-2S13-M1-BS
		ICF-2S13-H1-LD
		REZ-2T42-M3-BS
		ICF-2S42-M2-LD
E170082	KEYSTONE TECHNOLOGIES L L C	KTEB-226-UV-RS-DW
		KTEB-218-UV-PS-DW
E135400	OSRAM SYLVANIA INC	QTP 2x26 CF/UNV DIM DM
		QTP1/2X18CF/UNV-TS
		QTP2X26/32/42CF/UNV-DM
E161580	HOWARD INDUSTRIES INC	EP2/26CF/MV/2
E163527	DAMAR WORLDWIDE 4 L L C	20091D
E351284	LIGHTING & POWER TECHNOLOGIES L L C	DBC242MVPSN-K
E15265	UNIVERSAL LIGHTING TECHNOLOGIES INC	C2642UNVME

## Warranty Information:

This product is warranted for 5 years from the date of purchase, based on 10 hours of use per day. If this product does not perform to the specifications supplied on this package, send an email or write to the address below for product return and replacement. This replacement is the sole remedy available. Liability for incidental or consequential damage is expressly excluded. Visit [www.halcolighting.com](http://www.halcolighting.com) for full warranty details and compatibility information.