

SYLVANIA SMART⁺ ZigBee[®] RT5/6

Adjustable White LED Recessed Lighting Kit



Experience intelligent, connected lighting solutions in your home with SYLVANIA SMART⁺ connected lights and accessories. Using a ZigBee[®] compatible home automation hub, easily set up your devices to accommodate your daily routine by creating schedules and automations that fit your lifestyle. Our ZigBee smart home lighting products can be combined with many other ZigBee devices and platforms to build the ultimate smart home automation system.

Application Information

Application Notes

1. SMART⁺ RT5/6 requires ZigBee compatible home automation hub (sold separately)
2. Product activation requires active WiFi Network and ZigBee compatible home automation hub (must be placed in range of wireless router)
3. 2 year limited product warranty
4. Operating temperature range between -4°F and +104°F (-20°C and +40°C)
5. Suitable for use in dry, damp and wet indoor and outdoor locations
6. Not intended for use with dimmers, emergency light fixtures or exit lights
7. Lamp dims via wireless control and will not operate with a dimmer switch; remove all existing dimmers and replace with a regular switch; leave lamp in ON position
8. To prevent wiring damage or abrasion, do not expose wiring to edges of sheet metal or other sharp objects
9. Designed to install in standard 6" CFL mounting frame.

This device complies with part 15 of the FCC Rules. Operation is subject to the following two conditions: (1) This device may not cause harmful interference, and (2) this device must accept any interference received, including interference that may cause undesired operation. For FCC Part 15 user information, please see www.sylvania.com/fcc15b

*LED Lamp lifetime is defined as the number of hours when 50% of a large group of identical lamps reaches 70% of its initial lumens.

Key Features & Benefits

- Smart lighting controlled by smartphone or tablet, as well as through voice integration
- Compatible with major smart home automation systems
- Create schedules and light scenes to enhance your experience. Group lights to control them all at once
- SMART⁺ System is controllable from inside the home or on the go
- Integrated white trim and metal conduit adapter for direct replacement
- Fits standard 5 or 6 inch recessed downlight fixtures
- LED lamp adjustable between soft white, bright white, and daylight white
- On/Off/Dimming functions
- Color temperature tunable between 2700-6500 Kelvin
- Life: 20,000 hours rated life*
- CRI: 80+
- Suitable for dry, damp and wet indoor and outdoor locations

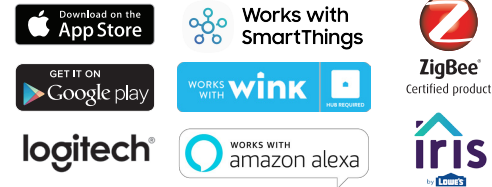
Product Offering

Ordering Abbreviation	Wattage	CCT	Contains
SMART ⁺ RT5/6 ADJW	10	2700-6500K	1 RT5/6 LED Kit

Specifications and Certifications



Contains:
FCC ID: DZO-LDV-AETHER
IC: 11099A-LDVAETHER



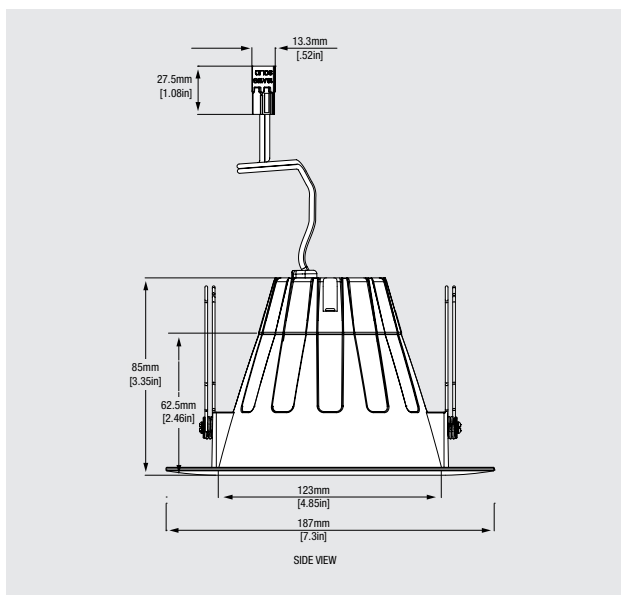
Ordering Information

Item Number	Ordering Description	Wattage	Voltage	Lumens	CCT	CRI	Life
73742	LED10RT56ADJWZBS+	10	120	810	2700-6500K	80+	20,000

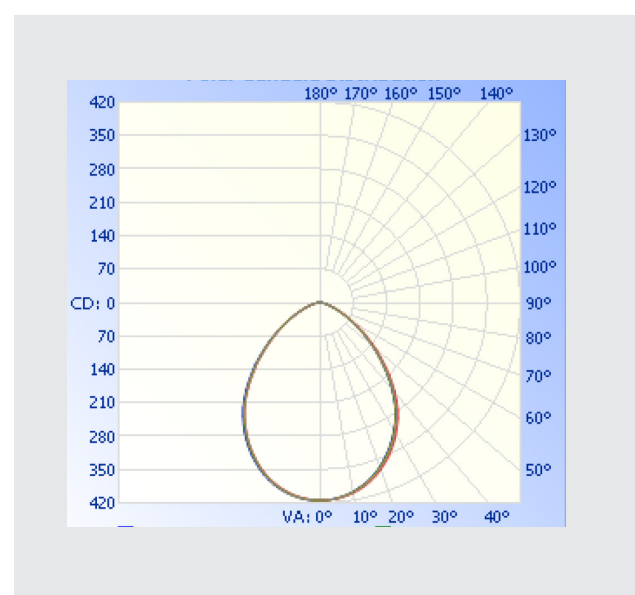
Ordering Guide

LED	10	RT56	ADJW	ZB	S+
LED	Wattage: 10	Lamp Type RT5/6	Adjustable White	ZigBee	SMART+

Assembly Diagram



Photometric Distribution



SYLVANIA and LEDVANCE are registered trademarks. All other trademarks are those of their respective owners. Licensee of product trademark SYLVANIA in general lighting. Specifications subject to change without notice.

