

# SYLVANIA SMART+ ZigBee® BR30

Full Color and Adjustable White Lamp



## Key Features & Benefits

- Smart lighting controlled by smartphone or tablet, as well as through voice integration
- Compatible with major smart home automation systems
- Create schedules and light scenes to enhance your experience. Group lights to control them all at once
- SMART+ System is controllable from inside the home or on the go
- Millions of color options
- On/Off/Dimming functions
- LED lamp adjustable between soft white, bright white, and daylight white
- Color temperature tunable between 2700-6500 Kelvin
- Life: 20,000 hours rated life
- CRI 90+
- Suitable for use in damp locations

Experience intelligent, connected lighting solutions in your home with SYLVANIA SMART+ connected lights and accessories. Using a ZigBee® compatible home automation hub, easily set up your devices to accommodate your daily routine by creating schedules and automations that fit your lifestyle. Our ZigBee smart home lighting products can be combined with many other ZigBee devices and platforms to build the ultimate smart home automation system.

## Product Offering

Ordering Abbreviation	Wattage	CCT	Contains
SMART+ BR30 Full Color	11	2700-6500K	1 BR30 LED Lamp

## Application Information

### Applications

- General lighting
- Recessed downlights
- Track lighting
- Wall washer

### Market Segments

- Residential
- Small business

### Application Notes

1. SMART+ BR30 requires ZigBee compatible home automation hub (Sold separately)
2. Product activation requires active WiFi Network and ZigBee compatible home automation hub (must be placed in range of wireless router)
3. Lamp turns on at 2700K, but can be customized using the ZigBee compatible hub
4. 2-year limited product warranty
5. Operating temperature between -4°F and +104°F (-20°C and +40°C)
6. Suitable for use in damp locations
7. Do not install in totally enclosed fixtures
8. Not intended for use with dimmers, emergency light fixtures or exit lights
9. Lamps dims via wireless control and will not operate with a dimmer switch, remove all existing dimmers and replace with a regular switch, leave lamp in ON position

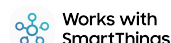
This device complies with part 15 of the FCC Rules. Operation is subject to the following two conditions: (1) This device may not cause harmful interference, and (2) this device must accept any interference received, including interference that may cause undesired operation. For FCC Part 15 user information, please see [www.sylvania.com/fcc15b](http://www.sylvania.com/fcc15b)

## Specifications and Certifications



Certified product

Contains:  
FCC ID: DZO-LDV-AETHER  
IC: 11099A-LDVAETHER



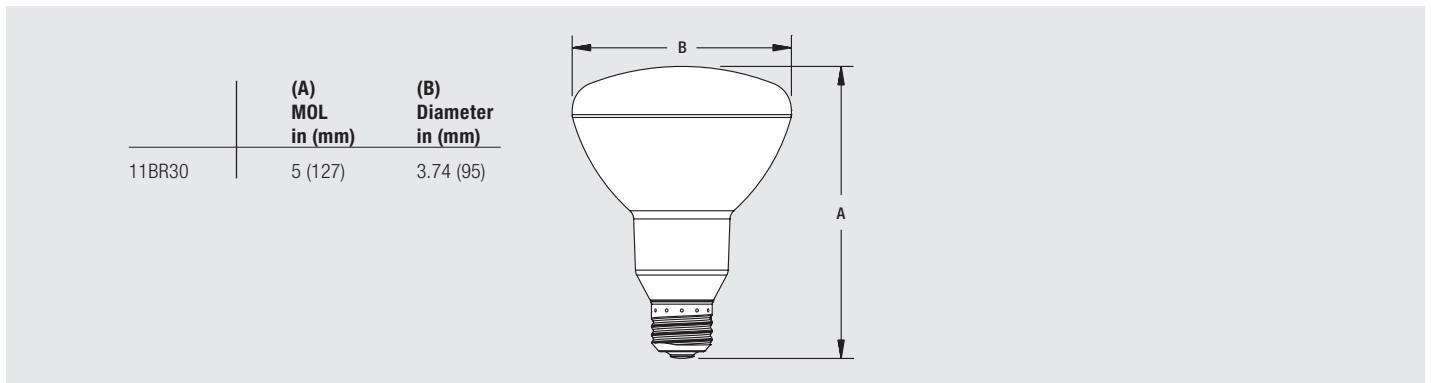
Ordering Information

Item Number	Ordering Description	Wattage	Lumens	CCT	CRI	Life
73739	LED11BR30RGBWZBS+	11	810	2700-6500K	90+	20,000

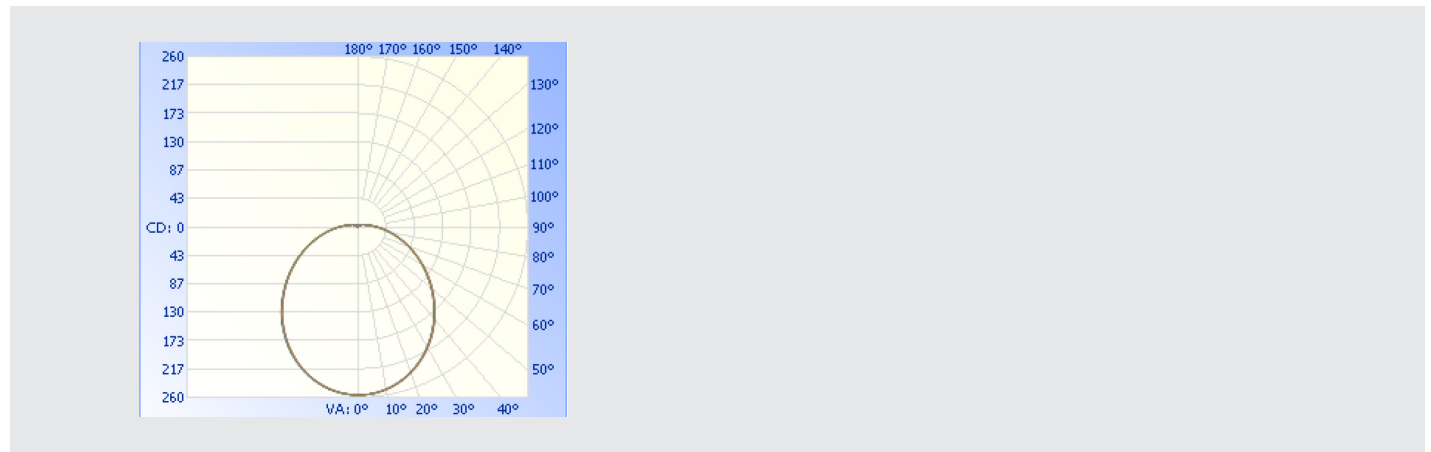
Ordering Guide

LED	11	BR30	RGBW	ZB	S+
LED	Wattage: 11	Lamp Type BR30	Red, Green, Blue and Adjustable White	ZigBee	SMART+

Lamp Dimensions



Photometric Distribution



SYLVANIA and LEDVANCE are registered trademarks.  
All other trademarks are those of their respective owners. Licensee of product trademark SYLVANIA in general lighting. Specifications subject to change without notice.

