

# SYLVANIA SMART+ Bluetooth® BR30

Soft White Lamp, Works with Apple® HomeKit™



## Key Features & Benefits

- Compatible with Apple HomeKit
- Bluetooth protocol, no hub required, easy set-up
- Voice control using Siri
- Away-from-home control via AppleTV®, Apple iPad®, or Apple HomePod®
- On/Off/Dimming functions
- Color temperature: 2700K
- Life: 15,000 hours rated life
- CRI: 80+
- Suitable for use in damp locations

Experience intelligent, connected lighting solutions in your home with HomeKit-enabled SYLVANIA SMART+ connected lights and accessories. With Apple HomeKit, easily connect your accessories using your Apple device to begin creating schedules and automations to accommodate your daily lifestyle. Our HomeKit-compatible smart home lighting products can be combined with other HomeKit accessories to build the ultimate smart home automation system

## Product Offering

Ordering Description	Contains
SYLVANIA SMART+ Bluetooth BR30 Soft White Lamp	1 BR30 Soft White LED Lamp

## Application Information

### Applications

- Residential
- Small business

### Application Notes

1. SMART+ BR30 Soft White requires an iOS 10.3, or later, Apple device
2. Lamp turns on at 2700K
3. 2-year limited product warranty
4. For indoor use only

### Specifications and Certifications



## Specification Data

Catalog #	Type
Project	
Comments	
Prepared by	

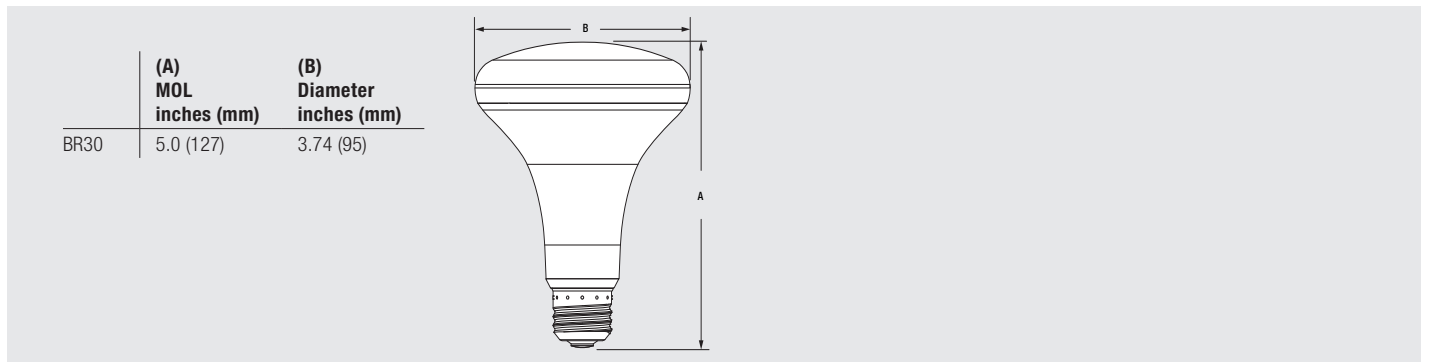
## Ordering Information

Item Number	Ordering Description	Wattage	Lumens	CCT	CRI	Life
74987	LED8.5BR30WHOMEKITBLES <sup>+</sup>	8.5	800	2700K	80+	15,000 hrs

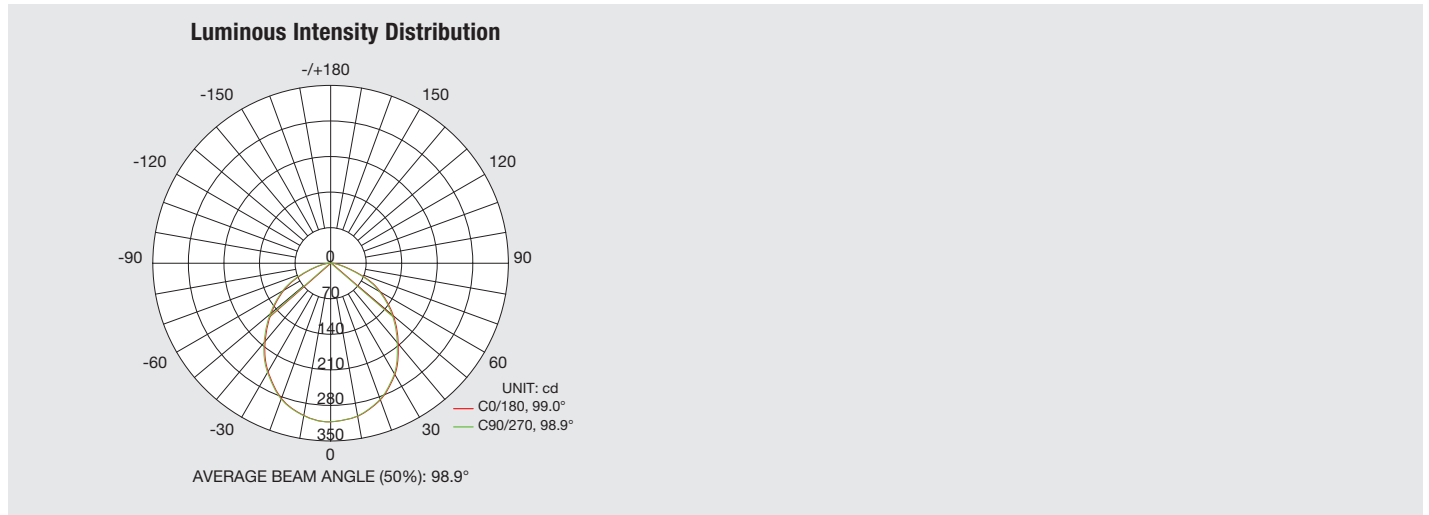
## Ordering Guide

LED	8.5	BR30	W	HOMEKIT	BLE	S <sup>+</sup>
LED	Wattage: 8.5	Lamp Type BR30	White	Apple® HomeKit™	Bluetooth®	SMART <sup>+</sup>

## Lamp Dimensions



## Photometric Distribution



SYLVANIA and LEDVANCE are registered trademarks.  
All other trademarks are those of their respective owners. Licensee of product trademark SYLVANIA in general lighting. Specifications subject to change without notice.

