

# SYLVANIA SMART+ ZigBee® MR16

Adjustable White Lamp



## Key Features & Benefits

- Smart lighting controlled by smartphone or tablet, as well as through voice integration
- Compatible with major smart home automation systems
- Create schedules and light scenes to enhance your experience. Group lights to control them all at once
- SMART+ System is controllable from inside the home or on the go
- On/Off/Dimming functions
- LED lamp adjustable between soft white, bright white, and daylight white
- Color temperature tunable between 2700-6500 Kelvin
- Life: 20,000 hours rated life\*
- CRI 80+
- Suitable for use in damp locations

Experience intelligent, connected lighting solutions in your home with SYLVANIA SMART+ connected lights and accessories. Using a ZigBee® compatible home automation hub, easily set up your devices to accommodate your daily routine by creating schedules and automations that fit your lifestyle. Our ZigBee smart home lighting products can be combined with many other ZigBee devices and platforms to build the ultimate smart home automation system.

## Product Offering

Ordering Description	Wattage	Color Temp.	Beam Angle	Contains
SMART+ MR16 ADJW	8.5	2700-6500K	36°	1 LED MR16 Lamp

## Application Information

### Applications

- General lighting
- Recessed downlights
- Track lighting
- Wall washer

### Market Segments

- Residential
- Small business

### Application Notes

1. SMART+ MR16 requires ZigBee compatible home automation hub (sold separately)
2. Product activation requires active WiFi Network and ZigBee compatible home automation hub (must be placed in range of wireless router)
3. Lamp turns on at 3000K, but can be customized using the ZigBee compatible hub
4. 2-year limited product warranty
5. Operating temperature [-4°F to +105°F] or [-20°C to +40°C]
6. Suitable for use in damp locations
7. Not intended for use with dimmers, emergency light fixtures or exit lights
8. Lamp dims via wireless control and will not operate with a dimmer switch, remove all existing dimmers and replace with a regular switch, leave lamp in ON position

This device complies with part 15 of the FCC Rules. Operation is subject to the following two conditions: (1) This device may not cause harmful interference, and (2) this device must accept any interference received, including interference that may cause undesired operation. For FCC Part 15 user information, please see [www.sylvania.com/fcc15b](http://www.sylvania.com/fcc15b)

\*LED Lamp lifetime is defined as the number of hours when 50% of a large group of identical lamps reaches 70% of its initial lumens.

## Specifications and Certifications



Contains:  
FCC ID: DZO-LDV-AETHER  
IC: 11099A-LDVAETHER



## Specification Data

Catalog #	Type
Project	
Comments	
Prepared by	

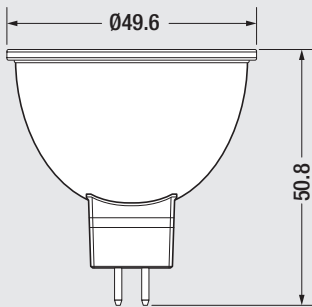
## Ordering Information

Item Number	Ordering Description	Wattage	Base	Lumens	Voltage	CCT	CBCP	CRI	Beam Angle	PF	Lifetime
74282	LED8.5MR16ADJWS+	8.5	GU5.3 2 Pin	500lm @3000K CCT	12	2700-6500K	1200cd @3000K CCT	80+	36°	0.5	20,000

## Ordering Guide

LED	8.5	MR16	ADJW	10Y	S+
LED	Wattage: 8.5	Lamp Type MR16	Adjustable White	Lifetime: 10 Years	SMART+

## Lamp Dimensions

	(A) MOL inches (mm)	(B) Diameter inches (mm)	
MR16 8.5W	2.00 (49.6)	1.95 (50.8)	

SYLVANIA and LEDVANCE are registered trademarks.  
All other trademarks are those of their respective owners. Licensee of product trademark SYLVANIA in general lighting. Specifications subject to change without notice.

