

LAMP BALLAST and LINE VOLTAGE COMPATIBLE  
LED T8 Type AB Tubes

TCP's now offers LED T8 Type AB Tubes. These T8 tubes provide Direct Wire or Plug and Play application and are compatible with many Instant and Programmed Start Ballasts.

Limitless Options  
for the following applications:

- Offices
- Restaurants
- Retail Stores
- Lobbies
- Schools
- Hospitals

ETL CLASSIFIED



Intertek

RoHS  
COMPLIANT

5 YEAR  
WARRANTY

we know light.™



# LED T8 Type AB Tubes

## Features and Benefits

|   |
|---|
| Bypass Application: 120-277 line voltage  |
| Plug and Play Application: Compatible with many Instant and Programmed Start Ballasts |
| Instant startup   |
| 115+ lumens per watt (bare lamp line voltage efficacy)                                |
| Double ended construction for safety  |
| Shunted or non-shunted lampholders  |
| Highly durable plastic shatterproof available   |

## Specifications

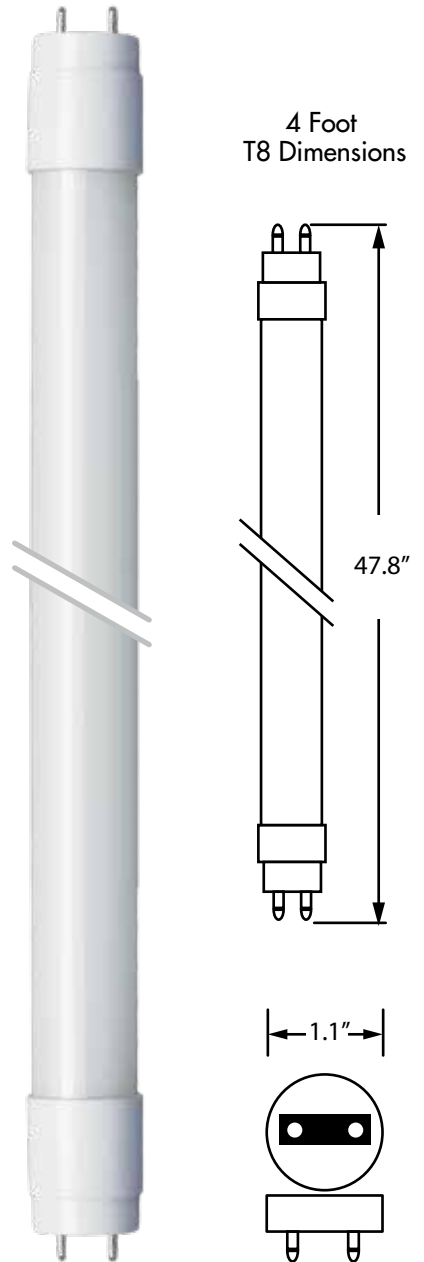
|  |
|--|
| Base Type: G13                             |
| Construction: Double ended                 |
| Wattage: 15w – 16w                         |
| Operating temperature range: -20c – 45c    |
| Safety: ETL Classified                     |
| Target Replacement Lamps: 32W/48T8         |
| Environment: Damp/dry locations            |
| Enclosed: Suitable for enclosed luminaires |
| Rated life: L70 50,000+ hours              |
| Beam Angle: 190°                           |
| Field Angle: 300°                          |

## Listing

|                |
|----------------|
| ETL Classified |
| RoHS Compliant |

## Warranty

|   |
|---|
| Five years against defects in manufacturing |
|---|



ETL CLASSIFIED



RoHS COMPLIANT

5 YEAR WARRANTY



To view our DLC qualified products, please consult the DLC Qualified Products List at [www.designlights.org/qpl](http://www.designlights.org/qpl).

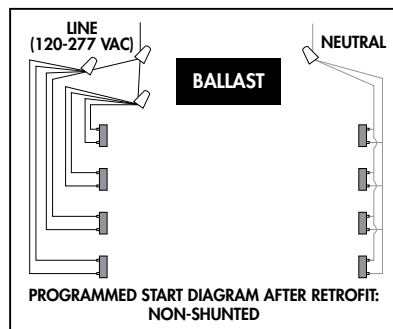
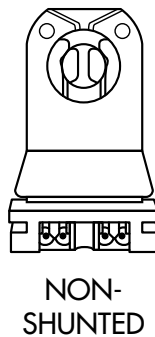
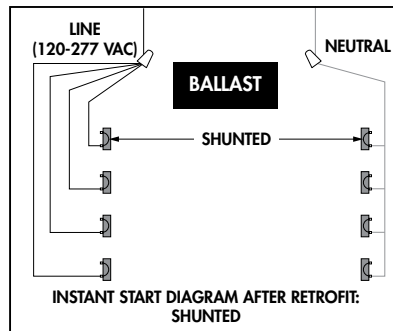
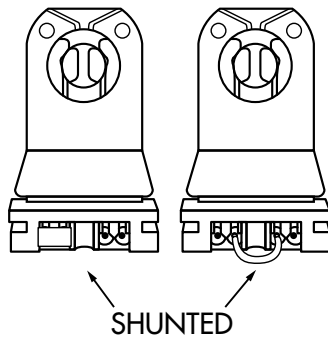
## LED T8 Type AB Tubes— Ballast and Line Voltage Compatible

| Item#   | DLC Model# | Description               | CRI | PF  | THD  | Line Voltage Watts | Line Voltage Lumens | Line Voltage LPW | LBF System Watts** | NBF System Watts | LBF Lumens** | NBF Lumens* | NBF System LPW |
|---|------------|---------------------------|-----|-----|------|--------------------|---------------------|------------------|--------------------|------------------|--------------|-------------|----------------|
| <b>LED 15 WATT T8 TUBE – 4 FOOT GLASS</b>     |            |                           |     |     |      |                    |                     |                  |                    |                  |              |             |                |
| LT815AB30K                                    | T8040730E  | LED 15W 4' T8 AB 30K      | >80 | >.9 | <10% | 16W                | 1750                | 109.4            | 13.6               | 15.3             | 1550         | 1760        | 115.0          |
| LT815AB35K                                    | T8040735E  | LED 15W 4' T8 AB 35K      | >80 | >.9 | <10% | 16W                | 1800                | 112.5            | 13.6               | 15.3             | 1550         | 1760        | 115.0          |
| LT815AB41K                                    | T8040740E  | LED 15W 4' T8 AB 41K      | >80 | >.9 | <10% | 16W                | 1800                | 112.5            | 13.6               | 15.3             | 1590         | 1800        | 117.6          |
| LT815AB50K                                    | T8040750E  | LED 15W 4' T8 AB 50K      | >80 | >.9 | <10% | 16W                | 1800                | 112.5            | 13.6               | 15.3             | 1590         | 1800        | 117.6          |
| <b>LED 15.5 WATT T8 TUBE – 4 FOOT PLASTIC</b> |            |                           |     |     |      |                    |                     |                  |                    |                  |              |             |                |
| LPT815AB30K                                   | T8041430E  | LED 15.5W 4' T8 AB PL 30K | >80 | >.9 | <10% | 16W                | 1750                | 109.4            | 13.6               | 15.3             | 1550         | 1760        | 115.0          |
| LPT815AB35K                                   | T8041435E  | LED 15.5W 4' T8 AB PL 35K | >80 | >.9 | <10% | 16W                | 1750                | 109.4            | 13.6               | 15.3             | 1550         | 1760        | 115.0          |
| LPT815AB41K                                   | T8041440E  | LED 15.5W 4' T8 AB PL 41K | >80 | >.9 | <10% | 16W                | 1800                | 112.5            | 13.6               | 15.3             | 1590         | 1800        | 117.6          |
| LPT815AB50K                                   | T8041450E  | LED 15.5W 4' T8 AB PL 50K | >80 | >.9 | <10% | 16W                | 1850                | 115.6            | 13.6               | 15.3             | 1620         | 1850        | 120.9          |
| ★T8041435E                                    | T8041435E  | LED 15.5W 4' T8 AB PL 35K | >80 | >.9 | <10% | 16W                | 1800                | 112.5            | 13.6               | 15.3             | 1590         | 1800        | 117.6          |
| ★T8041441E                                    | T8041440E  | LED 15.5W 4' T8 AB PL 41K | >80 | >.9 | <10% | 16W                | 1800                | 112.5            | 13.6               | 15.3             | 1590         | 1800        | 117.6          |
| ★T8041450E                                    | T8041450E  | LED 15.5W 4' T8 AB PL 50K | >80 | >.9 | <10% | 16W                | 1850                | 115.6            | 13.6               | 15.3             | 1590         | 1800        | 117.6          |

\* Using OSRAM QTP 2x32T8/UNV ISN-SC electronic ballast.

\*\* Nominal Values. Actual values are dependent on type electronic ballast used.

★ Product in QLS packaging.





## LED T8 Type AB Compatibility Guide

| Manufacturer | Ballast Model #             | Voltage   | Type          |
|--------------|-----------------------------|-----------|---------------|
| ADVANCE      | ICN-2P32-N                  | UNV       | Instant Start |
|              | ICN-4P32-N                  | UNV       | Instant Start |
|              | IOP-2P32-LW-N (rev A and B) | UNV       | Instant Start |
|              | IOP-2P32-LW-SC              | UNV       | Instant Start |
|              | IOP-4P32-LW-N               | UNV       | Instant Start |
|              | IOPA-2P32-LW-N              | UNV       | Instant Start |
|              | IOPA-3P32-LW-N              | UNV       | Instant Start |
|              | IOPA-4P32-LW-N              | 277V Only | Instant Start |
|              | IOPA-4P32-N                 | UNV       | Instant Start |
|              | REL-3P32-RH-TP              | 120V Only | Instant Start |
|              | VEL-2P32-SC                 | 277V Only | Instant Start |
|              | VEL-4P32-SC                 | 277V Only | Instant Start |
|              | VOP-2P32-LW-SC              | 277V Only | Instant Start |
|              | IOP-2PSP32-N                | 120V Only | Program       |
|              | IOP-3PSP32-LW-SC            | UNV       | Program       |
|              | IOP-3PSP32-SC               | UNV       | Program       |
|              | IOP-4PSP32-SC               | UNV       | Program       |
| IZT-132-SC   | UNV                         | Dimmable  |               |
| ESPEN        | VE2P32MVHIPE                | UNV       | Instant Start |
|              | VE4P32MVHIPE                | UNV       | Instant Start |
| GE           | GE232-120V-RES              | 120V Only | Instant Start |
|              | GE232MAX-G-N                | UNV       | Instant Start |
|              | GE232MAX-N/ULT RA           | UNV       | Instant Start |
|              | GE232MAXP-N                 | UNV       | Instant Start |
|              | GE432MAX-H                  | UNV       | Instant Start |
|              | GE432MAX-N                  | UNV       | Instant Start |
|              | GE432MAXN/ULTRA             | UNV       | Instant Start |
|              | GE432MAXP-H/ULTRA           | UNV       | Instant Start |
|              | GE432PL /ULTRA              | UNV       | Instant Start |
|              | GE232MVPS-L                 | UNV       | Program       |
|              | GE232MVPS-N                 | UNV       | Program       |
|              | GE332MVPS-N                 | UNV       | Program       |
|              | GE332MVPS-N                 | UNV       | Program       |
|              | GE432MVPS-N                 | UNV       | Program       |
| HOWARD       | EL2/32IS-277                | 277V Only | Instant Start |
| MAGNETEK     | B23211 20RH-A               | 120V Only | Instant Start |
|              | B2321277L                   | 277V Only | Instant Start |
|              | B43211 20RH-A               | 120V Only | Instant Start |

\* Ballasts were tested high and low line for 120V and 277V where applicable. Operating and Restart testing was completed with all lamp combinations (1,2,3,4).

| Manufacturer     | Ballast Model #        | Voltage          | Type          |
|------------------|------------------------|------------------|---------------|
| OSRAM            | OTP 2X32 T8/UNV ISN-SC | UNV              | Instant Start |
|                  | QHE 2X32 T8/UNV ISL-SC | UNV              | Instant Start |
|                  | QHE 2X32 T8/UNV ISN-SC | UNV              | Instant Start |
|                  | QHE 4x32T8/UNV ISL-SC  | UNV              | Instant Start |
|                  | QTP 2x32T8/UNV ISL-SC  | UNV              | Instant Start |
|                  | QTP 3x32T8/UNV ISN-SC  | UNV              | Instant Start |
|                  | QTP 4X32T8/UNV ISN-SC  | UNV              | Instant Start |
|                  | QHE 4X32 T8/UNV PSN-SC | UNV              | Program       |
|                  | QTP 2x32T8 /UNVPSN-MC  | UNV              | Program       |
|                  | QTP 2x32T8/UNV PSN-TC  | UNV              | Program       |
|                  | QHE 2X32 T8/UNV DIM-TC | UNV              | Dimmable      |
|                  | STANDARD               | E232T8IS120/N/AS | 120V Only     |
| E432T8IS120/N/AS |                        | 120V Only        | Instant Start |
| TCP              | E2P32 IS UNVLE         | UNV              | Instant Start |
|                  | E2P32IS120RES          | 120V Only        | Instant Start |
|                  | E2P32PSUNVE            | UNV              | Instant Start |
|                  | E3P32PSUNVE            | UNV              | Instant Start |
|                  | E4P32ISUNVE            | UNV              | Instant Start |
|                  | E4P32ISUNVLE           | 120V Only        | Instant Start |
| UNIVERSAL        | B2321277RH-A           | 277V Only        | Instant Start |
|                  | B2321UNVEL-A           | UNV              | Instant Start |
|                  | B4321277RH-A           | 277V Only        | Instant Start |
|                  | B4321UNVHP-A           | UNV              | Instant Start |
|                  | B4321UNVHP-A           | UNV              | Instant Start |

**NOTE:** Ballast compatibility tests are performed under a controlled lab environment. Field conditions may vary from this type of environment. Ballasts may differ by age and could have undergone revisions under the same item number affecting compatibility. Compatibility may also extend beyond this list. TCP recommends trying a few ballast-lamp combinations in an on-site test to ensure compatibility and performance before a major installation.

**All High Ballast Factor ballasts ARE NOT compatible with these tubes.**

Only the ballasts stated on this compatibility list have been tested and designated compatible. Any ballast not on this list can be tested for compatibility. TCP is not liable for any installation that utilizes a ballast not on this list.

| NOT COMPATIBLE |                       |
|----------------|-----------------------|
| ADVANCE        | ILV-2S32-SC           |
|                | IOPA-2P32-HL-N        |
|                | IZT-2S32-SC           |
|                | REL-2P32-SC           |
|                | REZ-2S32-SC           |
| GE             | VEZ-2S32-SC           |
|                | GE232MAX-H            |
|                | GE240PS-MV-N          |
| KEYSTONE       | GE240RES120-B         |
|                | KTEB-240-1-TP-PIC/B   |
| OSRAM          | KTEB-240-UV-TP-PIC    |
|                | QHE 4x32T8/UNV ISH-SC |
|                | QTP 3x32T8/UNV PSN-TC |