

LED Corn Bulb Lamp Series



5 Years Warranty



Specifications

Model	PLT-5101B
Rate Power	36W
Input Voltage	AC100-277V 50-60Hz
CCT	3000K
Power Factor	≥0.9
CRI	>80
Lumen	4680 lm
LED Quantity	108LEDs 0.3W
LED LM80	Yes



Rubycon

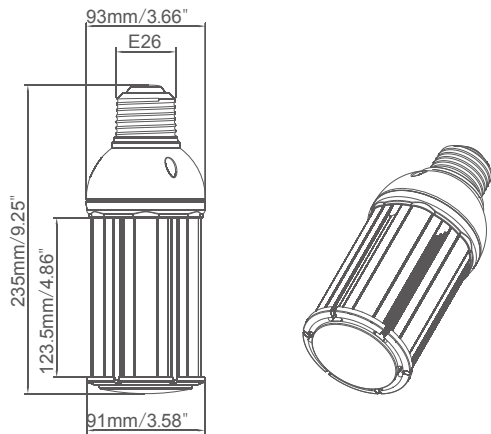


E26/E39

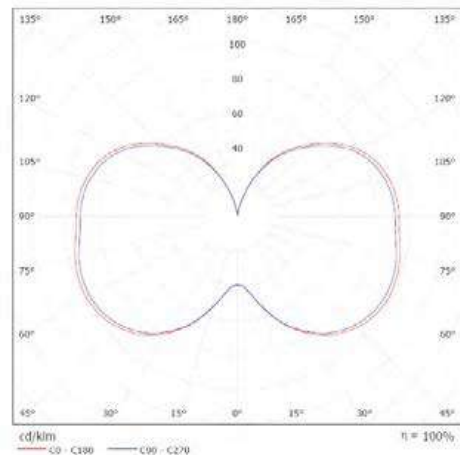


JAE Connector

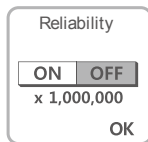
Dimension



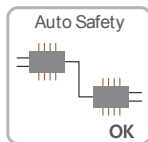
Luminous emittance



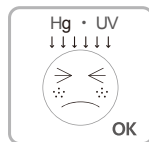
Long Lifespan of 10years



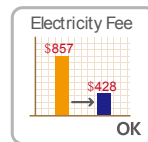
Reliability Test



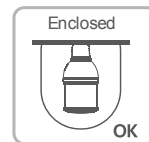
Safety Protection Circuit



No Mercury
No UVLight



Big Saving(87%)
on Electricity Costs

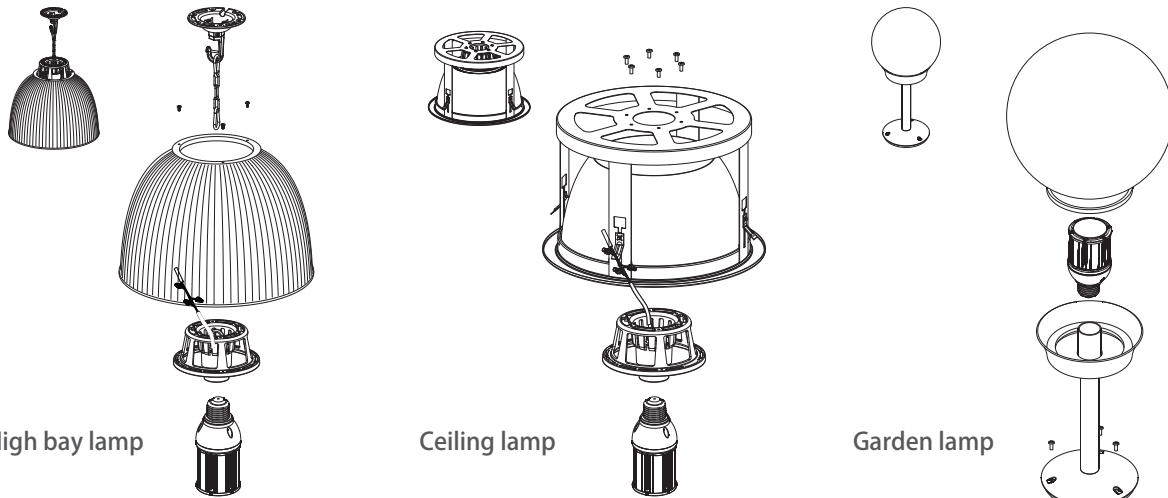


Usable in Enclosed
Luminaires



Omni Wide Angle

Installation



High bay lamp

Ceiling lamp

Garden lamp

Absolute Maximum Rating

Label

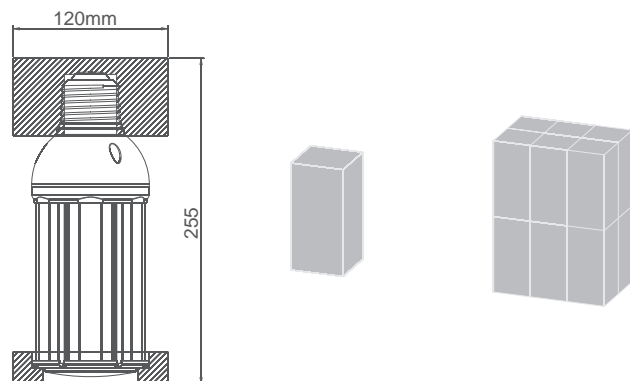
Parameter	Rating	Units
Aluminum Heat Sink Temperature	61.8	° C
Operating Temperature	-20~+65	° C
Storage Temperature	-40~+80	° C
Equilibrium Temperature	25	° C

LED Corn Bulb lamp
Model: BWRL-36W-A
AC100-277V 50-60Hz
Power: 36W CCT:5000K

LED Corn Bulb lamp
Model: BWRL-36W-A
AC100-277V 50-60Hz
Power: 36W CCT:5000K

Product Packing Specification

Packing Details	
Pack Quantity	12pcs
Net Weight	1.6lbs/816g
Gross Weight Per CTN	24lbs/12.1kg
Box Size	126*126*267mm
CTN Size	395*266*554mm



⚠ CAUTIONS

- Make sure remove the traditional ballast before replace the LED corn light.
- Don't take apart the product or replace mechanical and electronic components.
- Don't stare at the strong light for a long time as it may cause injury to eyes.