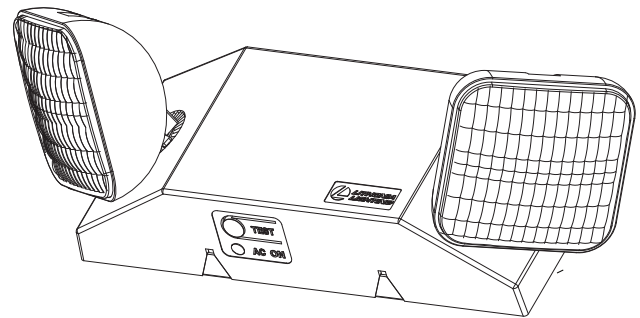


# INSTALLATION INSTRUCTIONS for Lithonia Lighting EU2C Models

## LED DUAL HEAD EMERGENCY LIGHTING FIXTURE EU2C M6 AND EU2C HO M6 MODELS ONLY

### READ AND FOLLOW ALL SAFETY INSTRUCTIONS

**WARNING:** FAILURE TO FOLLOW THESE INSTRUCTIONS AND WARNINGS MAY RESULT IN DEATH, SERIOUS INJURY OR SIGNIFICANT PROPERTY DAMAGE. For your protection, read and follow these warnings and instructions carefully before installing or maintaining this equipment. These instructions do not attempt to cover all installation and maintenance situations. If you do not understand these instructions or additional information is required, contact Lithonia Lighting or your local Lithonia Lighting distributor.



**WARNING:** RISK OF ELECTRIC SHOCK - NEVER CONNECT TO, DISCONNECT FROM, OR SERVICE WHILE EQUIPMENT IS ENERGIZED.

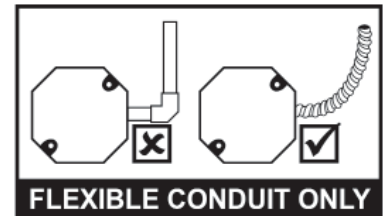
**WARNING:** RISK OF FIRE. Lamps are hot. Keep combustible material away from hot parts. Observe lamp manufacturer's warnings, recommendations and restrictions on lamp operation and maintenance. Make sure lamps are correctly installed.

**CAUTION:** The battery in this unit may not be fully charged. After electricity is connected to unit, let battery charge for at least 24 hours, then normal operation of this unit should take effect. To check, press the TEST button. The lamps on the unit should turn on.

**NOTE:** Complies with California Title 20. Product label is marked with **BC**.

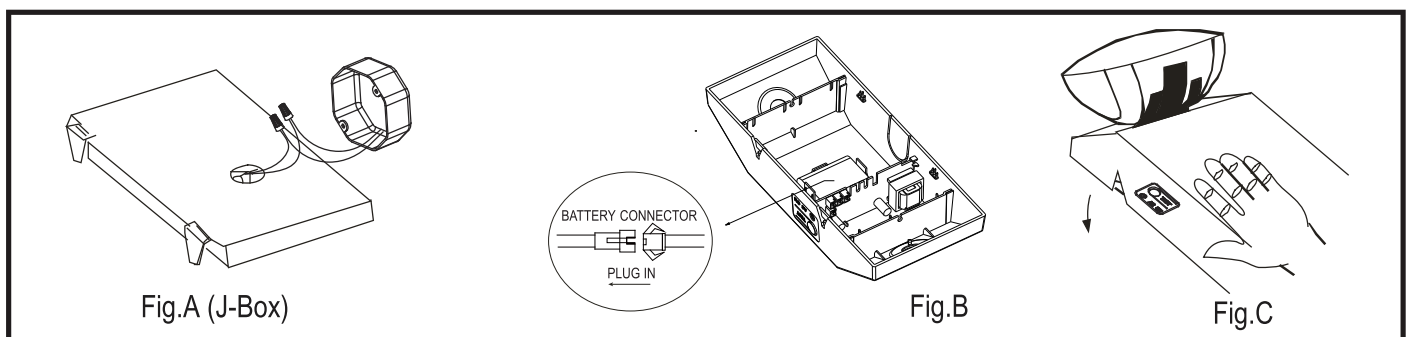
**IMPORTANT SAFEGUARDS:** When using electrical equipment, basic safety precautions should always be followed, including the following:

- Do not use outdoors. Suitable for use in 10°C-40°C (50°F-104°F) indoor damp locations.
- Consult local building code for approved wiring and installation.
- Disconnect AC power before servicing and installation.
- Do not mount near gas or electric heaters.
- Do not use this equipment for anything other than its intended use.
- The use of accessory equipment not recommended by the manufacturer will void product listing and warranty and may cause an unsafe condition.
- Any service on this equipment should be performed by qualified personnel only.
- Equipment should be mounted in locations and at heights where it will not be subject to tampering by unauthorized personnel.
- Do not ceiling mount.
- Use caution when servicing batteries.
- Cap unused wires with enclosed wire nuts or other approved method.
- Make sure wire terminations are secure and leads are properly tucked in appropriate wire channels.



### INSTALLATION:

**NOTE:** Max mounting height is 10.8 ft to achieve at least 1 ft-candle of illuminance in emergency mode.



# INSTALLATION INSTRUCTIONS

## J-BOX MOUNTING:

1. Connect RED lead to HOT of the power supply from 120-277V. Connect the WHITE lead to the NEUTRAL of the supply.
2. Attach back plate to J-Box and secure with screws.
3. Complete the battery connection. (Fig. B, page 1)
4. Align snaps and push housing directly onto the back plate (Fig. C, page 1). Apply continuous AC power.
5. After the battery has been left to charge for 24 hours, test the unit by pushing the test switch and the LED lamp head will turn ON.

## CONDUIT MOUNTING:

1. Secure back plate to wall surface using keyhole knockouts on the back plate.
2. Route wires through hole in conduit flange and make conduit connection. Connect RED lead to HOT of the power supply from 120-277V. Connect the WHITE lead to the NEUTRAL of the supply.
3. Complete the battery connection (Fig. B, page 1).
4. Align snaps and push housing directly onto the back plate. Apply continuous AC power.
5. After battery has been left to charge for 24 hours, test the unit by pushing the test switch and the LED lamp head will turn ON.

## WALL MOUNTING:

1. Secure back plate to wall surface using keyhole knockouts on the back plate.
2. Feed fixture leads through back plate and connect to AC power supply. Connect RED lead to HOT of the power supply from 120-277V. Connect the WHITE lead to the NEUTRAL of the supply.
3. Complete the battery connection (Fig. B, page 1).
4. Align snaps and push housing directly onto the back plate. Apply continuous AC power.
5. After battery has been left to charge for 24 hours, test the unit by pushing the test switch and the LED lamp head will turn ON.

## OPERATION:

1. During an electrical power failure, the LED lamps will automatically come on for a minimum of 90 minutes.
2. To test, press the "TEST" switch. The emergency LED lamps will illuminate and LED indicator will turn OFF. When the switch is released, the lamps will turn OFF and the LED indicator will turn ON.

## LED STATUS INDICATOR KEY and TROUBLESHOOTING:

Visual Status	Indication	Troubleshooting/Actions to Take
RED	<ol style="list-style-type: none"><li>1. Battery connection is not made.</li><li>2. Battery has been diagnosed as dead or defective after 24 hours of continuous charging with AC power supplied.</li></ol>	<ol style="list-style-type: none"><li>1. Make connection, or if battery is connected, disconnect battery for eight seconds and then reconnect.</li><li>2. Replace the battery.</li></ol>
GREEN	Battery is connected, AC power has been supplied and fixture is in charging state.	This is the normal state. No action required.
UNLIT	<ol style="list-style-type: none"><li>1. AC power has not been supplied.</li><li>2. The LED is disabled during the test or emergency mode.</li></ol>	Supply AC power.

## TESTING:

National Electric Code (NEC) and NFPA 101 (current Life Safety code) requires that routine tests need to be performed as: Once every month, the unit needs to be tested for duration of 30 seconds. Push in and hold the test switch to perform this test. Once every 12 months, a full 90 minute (per UL requirements) test needs to be performed on the unit. Disconnect power to the unit and leave it in the emergency mode. The lamps should stay ON for at least 90 minutes. Written records of the testing are to be kept for examination by the authority having jurisdiction.

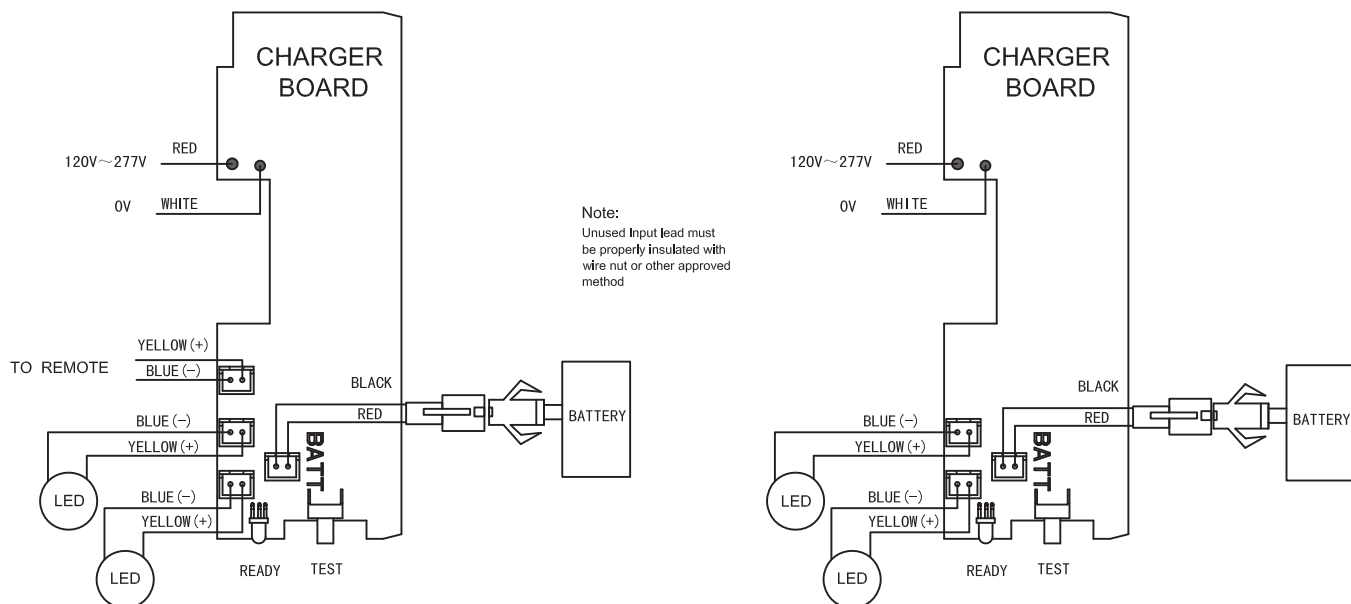
## TROUBLESHOOTING:

1. If the charge indicator is OFF with AC applied: Check that the circuit breaker for the AC Supply is ON. Note: The status indicator does not light in Test or Emergency mode.
2. If the charge indicator light is RED with AC applied: Check that battery is properly connected. If the battery is too low the status indicator may be RED as well. Charge for 24 hours and validate if condition corrects itself. If not replace battery
3. If the Emergency lights are dim, battery not fully charged. Allow battery to recharge for 24 hours and then retest. If lights are still dim, replace battery.
4. If emergency mode does not last 90 minutes and there are remote lamps connected to the equipment: Turn OFF the AC supply and disconnect the remote circuit wires from the equipment. Turn ON the AC supply, charge for 24 hours and validate if emergency mode will run for 90 minutes. If this fails, replace the battery. If it passes, then check the remote circuit for short or overload condition and correct as required. Reconnect the remote circuit wires and restore AC power. If the load is within the specification of the unit and turn ON at all, the unit is defective, replace the unit. If the charge will not last 90 minutes after 24 hours of charging, replace the battery.

## WIRING DIAGRAMS

### HO OPTION (REMOTE CAPABLE)

### STANDARD



**Note for HO models:**  
Use 18-22 AWG stranded wire to connect remote lamp heads.



An AcuityBrands Company

**Lithonia Emergency**

One Lithonia Way, Conyers GA 30012

Phone: 800-705-SERV (7378)

www.lithonia.com

techsupport-emergency@acuitybrands.com

FCC Title 47, Part 15, Subpart B

912-00234-001, Rev A

(2/2021)