



Item#: **PLT-20251**
LED PAR16/GU10 LAMP
 REFLECTOR (FLOOD)

FEATURES

- Superior lighting performance
- Energy efficient
- Innovative and durable design that resembles traditional lighting

APPLICATION

- Indoor residential and commercial spaces, track lighting and recessed downlights.

ELECTRICAL

Wattage	5.5W
Voltage	120V
Current	52mA
Power Factor	0.9
Total Harmonic Distortion (THD)	--

LIGHTING PERFORMANCE

Lumens	400
Lumens Per Watt (Lm/W)	73
Color Temperature (CCT)	3000K
Color Rendering (CRI)	94
R9 (Red Value)	77
R13 (Skin Tones)	--
Beam Angle	40°
Light Distribution	--
Dimmable Lighting Control	<i>Dimmable</i> see compatibility report

ENVIRONMENT

Operating Temperature	-40° ~ 104°F
Suitable Location	DAMP
Ingress Protection Rating	N/A
Fixture Type	Enclosed

LIFESPAN

Average Life (Hours)	25,000
Warranty (Years)	3

COMPONENTS

LED Light Source	--
------------------	----

CONSTRUCTION

Housing	Aluminum / PC
Base / Power Supply	GU10
Finish	White

QUALIFICATIONS



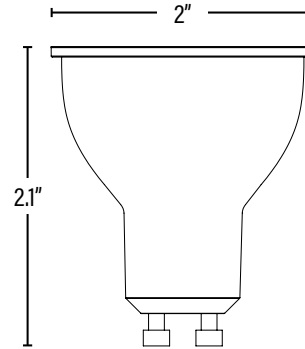
Item#: **PLT-20251**

LED PAR16/GU10 LAMP

DIMENSIONS (Inches)

Length (MOL)	2.1"
Width/Diameter (MOD)	2"
Weight (Lbs)	--

Line drawings may not be to scale and are for general reference only.



PACKAGING

		UPC	DIMENSIONS (LxWxH)	GROSS WEIGHT (Lbs)
Master Carton	60	10811768029748	--	--
Individual Box	1	811768029741	--	--
Country of Origin	China			
HS Tariff	9405.40.6000			

ORDERING

ITEM#	DESCRIPTION	CASE
PLT-20251	LED 5.5WPAR16/30K/40°/GU10/120V/DIMMABLE/V6 - ENERGY STAR®	60

PERFORMANCE DATA

PACKAGING