

LED Corn Bulb Lamp Series



1 Year Warranty

Specifications

Model	PLT-6103
Rate Power	45W
Input Voltage	AC100-277V 50-60Hz
CCT	5000K
Power Factor	≥ 0.9
CRI	>80
Lumen	5850lm
LED Quantity	135LEDs 0.3W
LED LM80	Yes



Rubycon

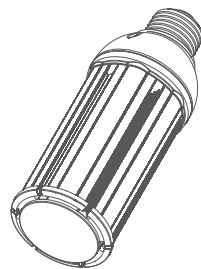
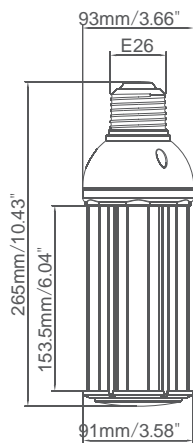


E26

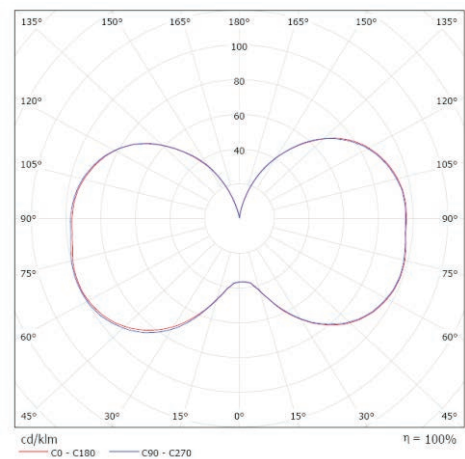


JAE Connector

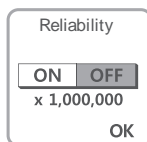
Dimension



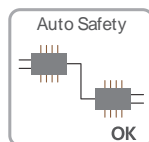
Luminous emittance



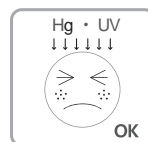
Long Lifespan of 10years



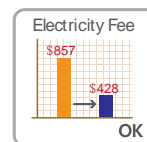
Reliability Test



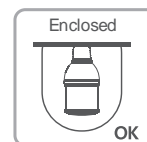
Safety Protection Circuit



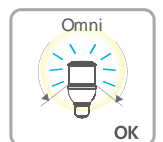
No Mercury
No UVLight



Big Saving(87%)
on Electricity Costs

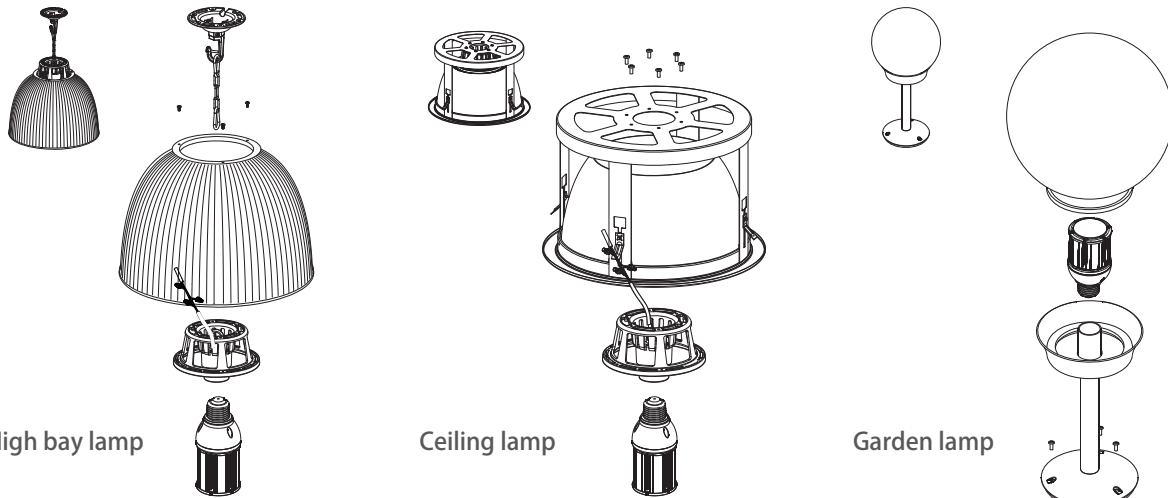


Usable in Enclosed
Luminaires



Omni Wide Angle

Installation



High bay lamp

Ceiling lamp

Garden lamp

Absolute Maximum Rating

Parameter	Rating	Units
Aluminum Heat Sink Temperature	64.9	° C
Operating Temperature	-20~+65	° C
Storage Temperature	-40~+80	° C
Equilibrium Temperature	25	° C

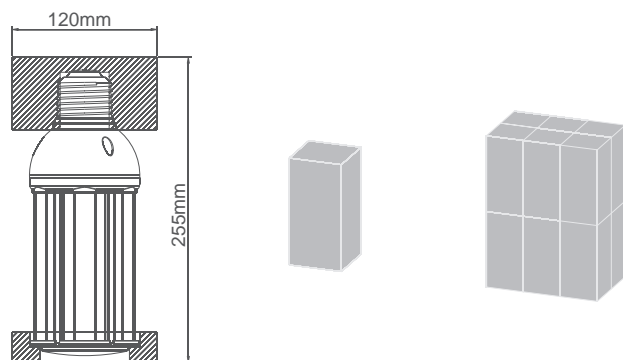
Label

LED Corn Bulb lamp
Model:PLT-6103
AC100-277V 50-60Hz
Power:45W CCT:5000K

LED Corn Bulb lamp
Model:PLT-6103
AC100-277V 50-60Hz
Power:45W CCT:5000K

Product Packing Specification

Packing Details	
Pack Quantity	12pcs
Net Weight	2lbs/933g
Gross Weight Per CTN	30.2lbs/13.7kg
Box Size	126*126*296mm
CTN Size	395*266*612mm



⚠ CAUTIONS

- Make sure remove the traditional ballast before replace the LED corn light.
- Don't take apart the product or replace mechanical and electronic components.
- Don't stare at the strong light for a long time as it may cause injury to eyes.