

LED Corn Bulb Lamp Series



1 Year Warranty



Rubycon



E26

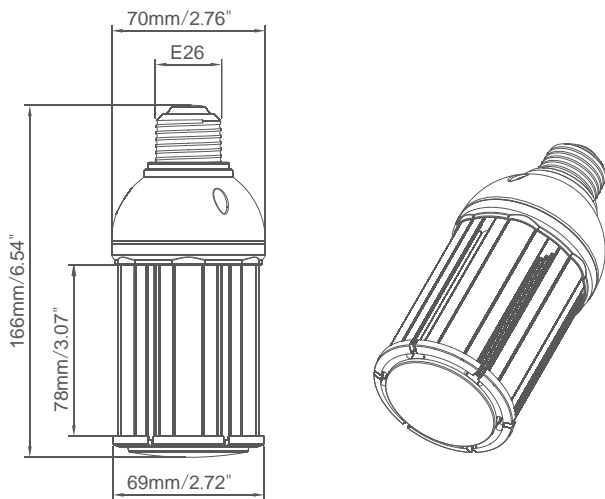


JAE Connector

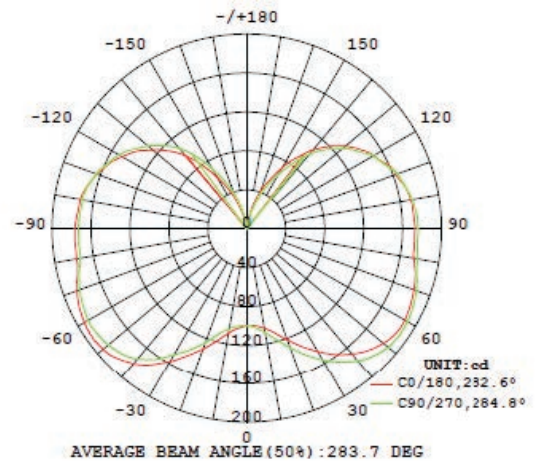
Specifications

Model	PLT-3103
Rate Power	18W
Input Voltage	AC100-277V 50-60Hz
CCT	5000K
Power Factor	≥0.9
CRI	>80
Lumen	2250lm
LED Quantity	56LEDs 0.3W
LED LM80	Yes

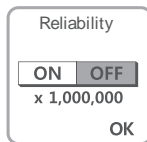
Dimension



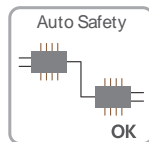
Luminous emittance



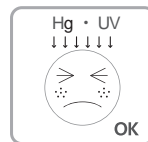
Long Lifespan of 10years



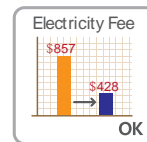
Reliability Test



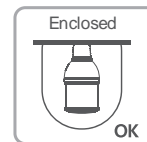
Safety Protection Circuit



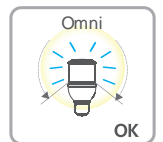
No Mercury
No UVLight



Big Saving(87%)
on Electricity Costs

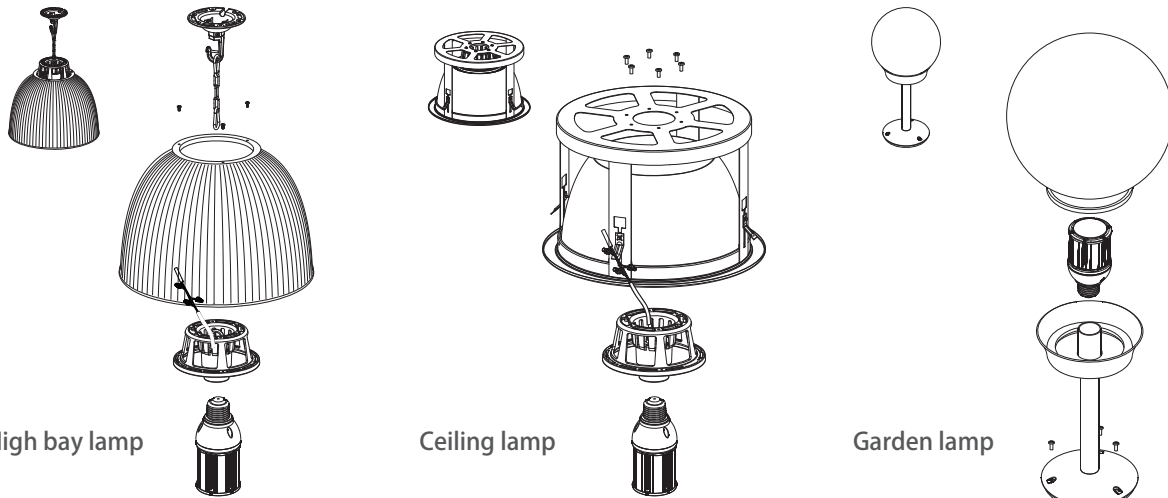


Usable in Enclosed
Luminaires



Omni Wide Angle

Installation



High bay lamp

Ceiling lamp

Garden lamp

Absolute Maximum Rating

Label

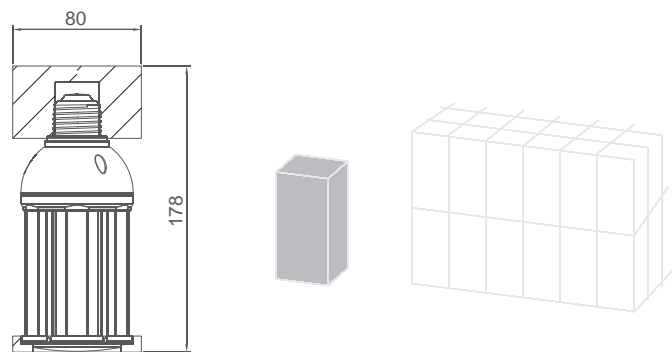
Parameter	Rating	Units
Aluminum Heat Sink Temperature	57	° C
Operating Temperature	-20~+65	° C
Storage Temperature	-40~+80	° C
Equilibrium Temperature	25	° C

LED Corn Bulb lamp
Model:PLT-3103
AC100-277V 50-60Hz
Power:18W CCT:5000K

LED Corn Bulb lamp
Model:PLT-3103
AC100-277V 50-60Hz
Power:18W CCT:5000K

Product Packing Specification

Packing Details	
Pack Quantity	24pcs
Net Weight	0.76lbs/345g
Gross Weight Per CTN	22.04lbs/10kg
Box Size	83*83*195mm
CTN Size	350*265*410mm



⚠ CAUTIONS

- Make sure remove the traditional ballast before replace the LED corn light.
- Don't take apart the product or replace mechanical and electronic components.
- Don't stare at the strong light for a long time as it may cause injury to eyes.