



# LED Traditional Wall Pack Fixture

## 10,240 Lumens with Light Sensor

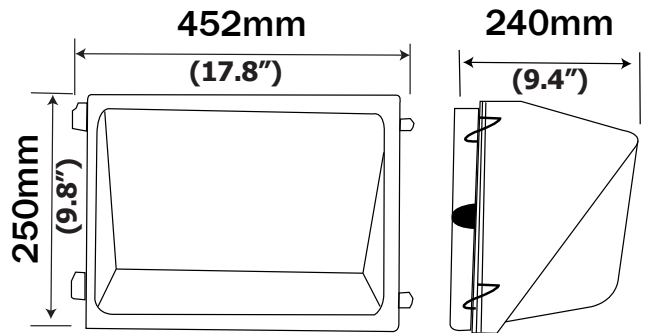
9.8"H x 17.8"W x 9.4"D

Model Number FLAWL35/100/24L

### Includes:

- Single-Output Channel, Class 2 LED Driver, Model Number: AC-77C2.4AF1
- 4 PCB LED Arrays with 280 LEDs mounted to industrial grade aluminum LED Driver bracket

Light Sensor installed



## Specifications

Item	Specification
Input Voltage	120-277V, 50/60 Hz
Fixture CRI	84.1
LED Color Temperature	5000K
Fixture Lumens	10,240
Fixture Efficacy	127 lumen/Watt
Lumen Maintenance	L <sub>70</sub> >60,000 Hrs@85°C
Zonal Lumen Performance	Not Measured
Warranty	7 years*
LED Quantity (Brand: Samsung LM561C)	280
LED TMP Temperature @ 20°C	66.5°C
Input Power	80.3W
Driver Efficiency	86%
Power Factor @ 277V	>0.9
THD @ 277V	<20%
Noise	<24dB
EMI	FCC part 15
Max Operating Temperature	45°C Ambient
Min Operation Temperature	-40°C Ambient
Fixture Dimensions/Weight	9.8"H x 17.8"W x 9.4"D /12lbs



## Warranty

\* Fortified LEDs warrants to the purchaser that this fixture will be free from defects in material or workmanship for a period of 7 years from date of manufacture, when operated at a maximum ambient temperature of 110°F or 45°C, when properly installed and under normal conditions of use.

The warranty excludes damage resulting from improper installation or damage caused by fire or severe weather conditions including, but not limited to, lightning and storms. Evidence of direct exposure to water inside the fixture housing on the failed units due to improper installation voids the warranty.

## Fortified LEDs vs. Standard HID Lights

Wall Pack Light Source	Input Wattage	Lifespan Hrs/ Yrs	Energy Use (24hrs/day) Annual	Annual Cost (maintenance + electricity) @ \$0.11/kWh	Electrical Cost Savings
HID	250	24,000/ 2.7	2190 kWh	\$240.90	
LED	80	50,000/ 5.7	701 kWh	\$77.11	68%