

LED Corn Bulb Lamp Series



5 Years Warranty

Specifications

Model	PLT-7104B
Rate Power	100W
Input Voltage	AC100-277V 50-60Hz
CCT	6000K
Power Factor	≥0.9
CRI	>80
Lumen	12500 lm
LED Quantity	280LEDs 0.3W
LED LM80	Yes



Rubycon

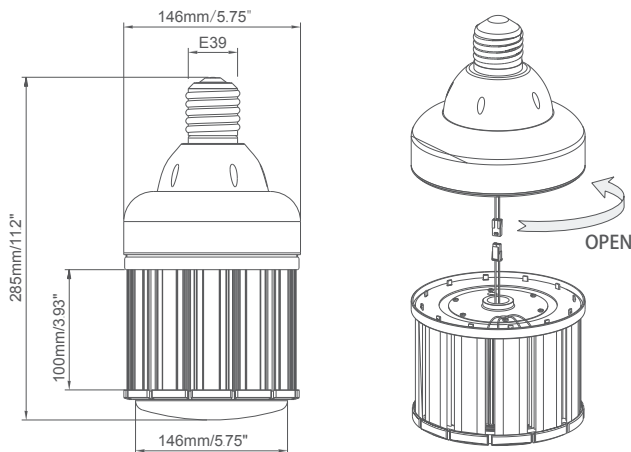


E39

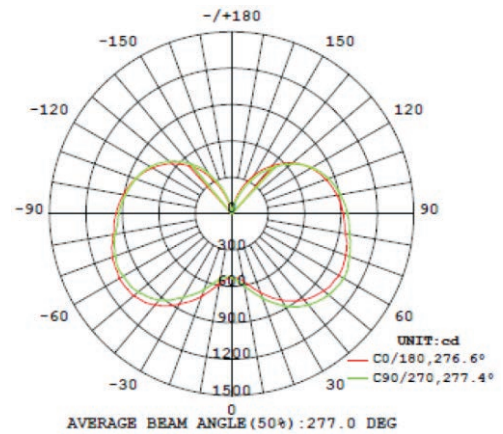


JAE Connector

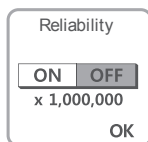
Dimension



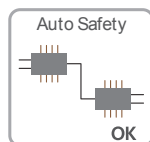
Luminous emittance



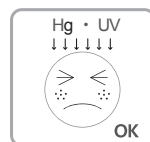
Long Lifespan of 10years



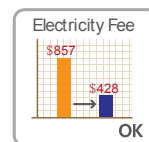
Reliability Test



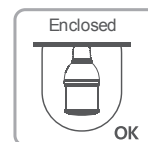
Safety Protection Circuit



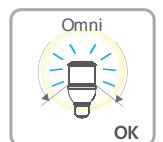
No Mercury
No UVLight



Big Saving(87%)
on Electricity Costs

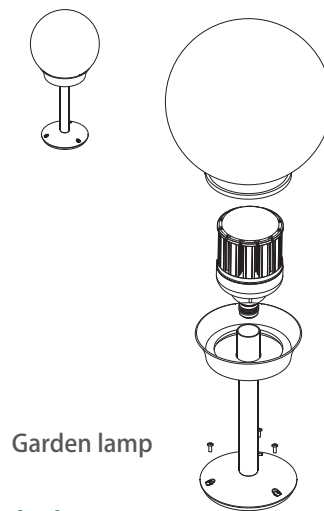


Usable in Enclosed
Luminaires



Omni Wide Angle

Installation



Absolute Maximum Rating

Parameter	Rating	Units
Aluminum Heat Sink Temperature	65	° C
Operating Temperature	-20~+50	° C
Storage Temperature	-40~+80	° C
Equilibrium Temperature	25	° C

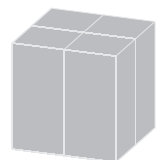
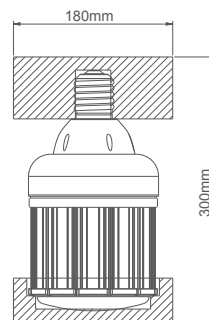
Label

LED Corn Bulb lamp
Model:PLT-7104
AC100-277V 50-60Hz
Power: 100W
CCT:6000K

LED Corn Bulb lamp
Model:PLT-7104
AC100-277V 50-60Hz
Power: 100W
CCT:6000K

Product Packing Specification

Packing Details	
Pack Quantity	4pcs
Net Weight	4lbs/1828g
Gross Weight Per CTN	19.8lbs/9kg
Box Size	185*185*317mm
CTN Size	385*385*337mm



⚠ CAUTIONS

- Make sure remove the traditional ballast before replace the LED corn light.
- Don't take apart the product or replace mechanical and electronic components.
- Don't stare at the strong light for a long time as it may cause injury to eyes.