

LED Shoebox Accessories



Straight Arm Mount

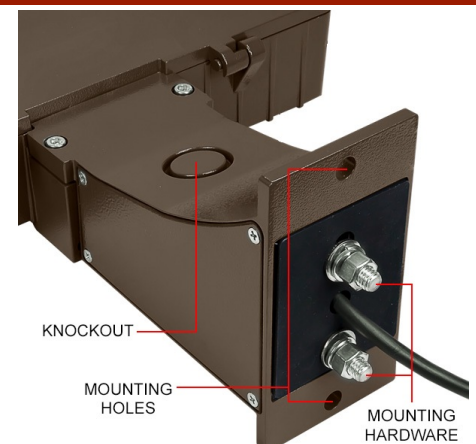
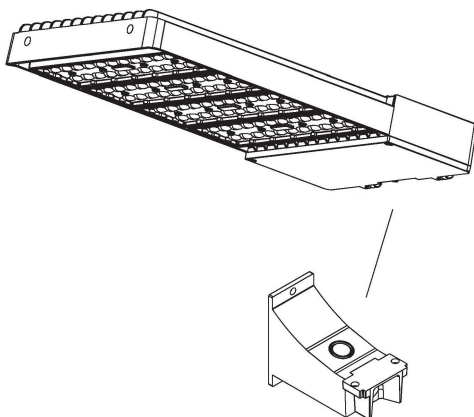


FEATURES

- Compatible with PLTB4 Series LED shoebox area light fixtures
- Straight arm for square poles and walls
- Holds a maximum load of 110 lbs
- Reliable and strong hold

SKU#	Compatibility	Size	Mounting	Warranty
PLT-11101	For 75W, 120W, 150W, 220W, 300W, 400W, and 480W PLTB4 Series LED Area Light Fixtures	7.06 x 3.13	Square Pole/Wall Mount	5 Years

ADDITIONAL PHOTOS



LED Shoebox Accessories



Straight Arm Mount

FEATURES

- For square poles 3.2" x 3.2" or larger
- Aluminum housing
- Bronze finish

SPECIFICATIONS

SAFETY RATING	NOT APPLICABLE
FINISH.....	BRONZE
HOUSING) @ # ° ou ALUMINUM
MOUNTING	SQUARE POLE/WALL MOUNT
HEIGHT	7.06 IN.
WIDTH	3.13 IN.
CASE QUANTITY	10

TYPICAL APPLICATIONS

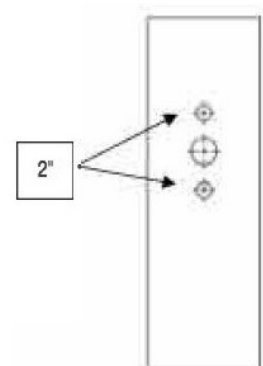
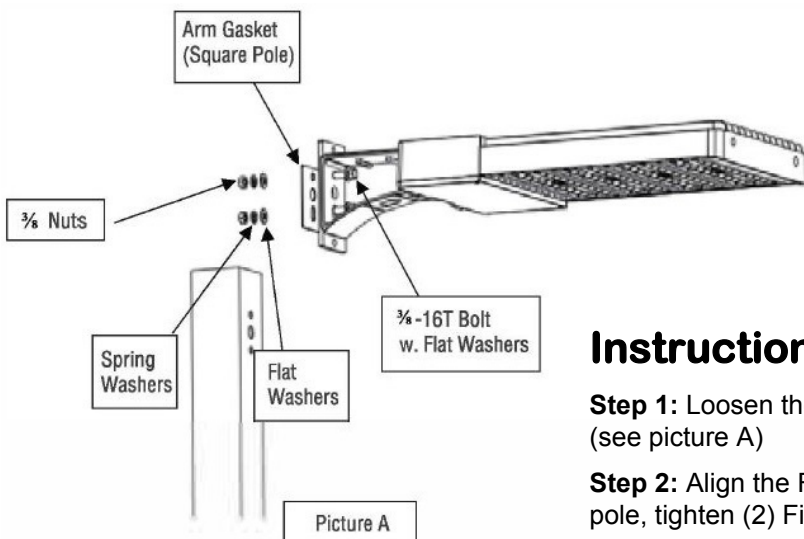
- Parking lots
- Roadways
- Streets

WARRANTY

Warranty

5 Years

INSTALLATION INSTRUCTIONS FOR SQUARE POLE



Instructions

Step 1: Loosen the (2) Fixed Screws (3/8-16T Bolt w. Flat Washers) in the arm (see picture A)

Step 2: Align the Fixed Screw-Holes on the arm to the Mounting-Holes on the pole, tighten (2) Fixed Screws (see picture A)

Step 3: Connect the UN/GND wires through the wire-hole