



A-Shape LED

18A21/LED/827-22/DIM 120V 6/1

Philips A-shape Dimmable LED lamps are the smart LED alternative to standard incandescents. The unique lamp design provides omi-directional light with excellent dimming performance.

Product data

General Information	
Cap-Base	E26 [Single Contact Medium Screw]
Nominal Lifetime (Nom)	25000 h
Switching Cycle	50000X
Technical Type	18-100W

Light Technical	
Color Code	822-827 [tunable warm white]
Initial lumen (Nom)	1600 lm
Luminous Flux (Rated) (Nom)	1600 lm
Color Designation	Soft White
Correlated Color Temperature (Nom)	2200-2700 K
Luminous Efficacy (rated) (Nom)	88.9 lm/W
Color Consistency	<6
Color Rendering Index (Nom)	80
LLMF At End Of Nominal Lifetime (Nom)	70 %

Operating and Electrical	
Input Frequency	60 Hz
Power (Rated) (Nom)	18 W
Lamp Current (Nom)	178 mA
Wattage Equivalent	100 W
Starting Time (Nom)	0.5 s
Warm Up Time to 60% Light (Nom)	0.5 s

Power Factor (Nom)	0.8
Voltage (Nom)	120 V
Temperature	
T-Case Maximum (Nom)	105 °C

Controls and Dimming	
Dimmable	Yes

Mechanical and Housing	
Bulb Finish	Frosted (FR)

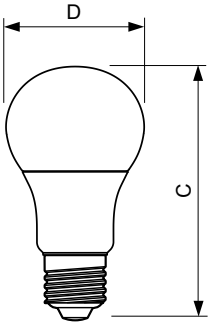
Approval and Application	
Energy star mark	Energy star
Suitable For Accent Lighting	Yes
Energy Consumption kWh/1000 h	18 kWh

Product Data	
Order product name	120V A21 E26 18W 2200K-2700K D
EAN/UPC - Product	046677459116
Order code	459115
Numerator - Quantity Per Pack	1
Numerator - Packs per outer box	6
Material Nr. (12NC)	929001174104

A-Shape LED

Net Weight (Piece) 0.155 kg

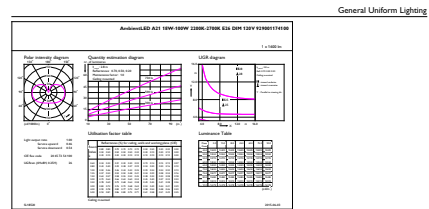
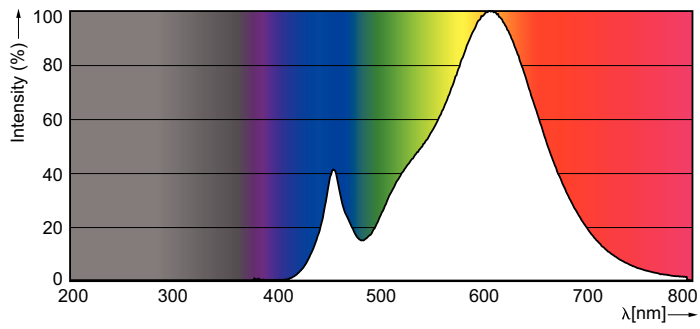
Dimensional drawing



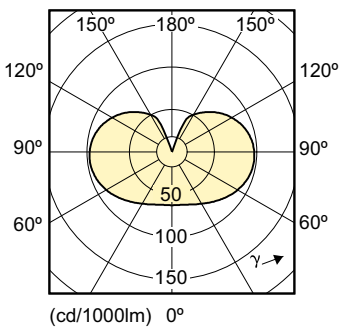
Bulb A21 120V 18W-120W 1600lm2700K E26 D

Product	D	C
120V A21 E26 18W 2200K-2700K D	71.1 mm	134.6 mm

Photometric data



CalcLUX Photometrics 4.3 Philips Lighting B.V. Page 1/1



A-Shape LED

