



AR111 LED

20AR111/LED/830/F15 DIM 12V FB 1PK 6/1

Delivering a warm, halogen-like accent beam, the AR111 LED is an ideal retrofit solution for spot and general lighting applications in the hospitality and retail industry. It is particularly suitable for general lighting where the light is on all the time, such as creative accent lighting applications in shops, restaurants, hotels, and especially for galleries, exhibitions and museums. The robustly designed MASTER LEDspot LV AR111 offers various beam angles for a clearly defined beam spread. There is no UV or IR in the beam, making it suitable for illuminating heat-sensitive objects (food, organic materials, paintings, etc.). The patented intelligent driver enables broad compatibility with existing electromagnetic and electronic halogen transformers. MASTER LEDspot LV AR111 delivers huge energy savings and minimizes maintenance cost without any reduction in brightness.

Product data

General Information	
Cap-Base	G53 [G53]
Nominal Lifetime (Nom)	25000 h
Switching Cycle	50000X
Technical Type	20-100W
Light Technical	
Color Code	830 [CCT of 3000K]
Beam Angle (Nom)	15 °
Light Distribution	15D [Narrow beam]
Initial lumen (Nom)	1280 lm
Luminous Flux (Rated) (Nom)	1280 lm
Luminous Intensity (Nom)	10000 cd
Color Designation	White (WH)
Rated Beam Angle	15 °
Correlated Color Temperature (Nom)	3000 K

Luminous Efficacy (rated) (Nom)	64.00 lm/W
Color Consistency	<6
Color Rendering Index (Nom)	80
LLMF At End Of Nominal Lifetime (Nom)	70 %
Operating and Electrical	
Power (Rated) (Nom)	20 W
Lamp Current (Nom)	2400 mA
Wattage Equivalent	100 W
Starting Time (Nom)	0.5 s
Warm Up Time to 60% Light (Nom)	0.5 s
Power Factor (Nom)	0.7
Voltage (Nom)	12 V

AR111 LED

Temperature

T-Case Maximum (Nom)	80 °C
----------------------	-------

Controls and Dimming

Dimmable	Yes
----------	-----

Approval and Application

Suitable For Accent Lighting	Yes
------------------------------	-----

Product Data

Order product name	20AR111/LED/830/F15 DIM 12V FB 1PK 6/1
--------------------	--

EAN/UPC - Product	046677458560
-------------------	--------------

Order code	458562
------------	--------

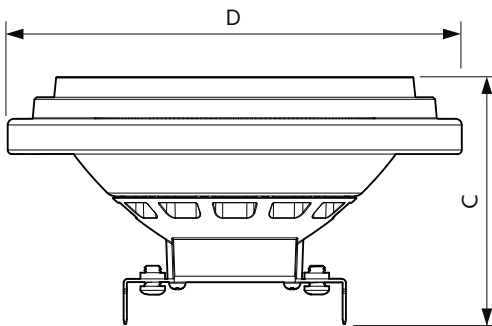
Numerator - Quantity Per Pack	1
-------------------------------	---

Numerator - Packs per outer box	6
---------------------------------	---

Material Nr. (12NC)	929001170604
---------------------	--------------

Net Weight (Piece)	0.160 kg
--------------------	----------

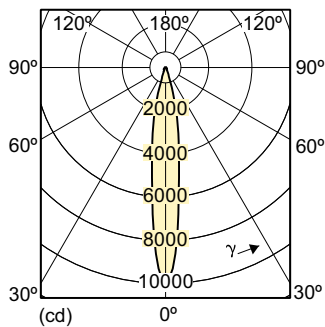
Dimensional drawing



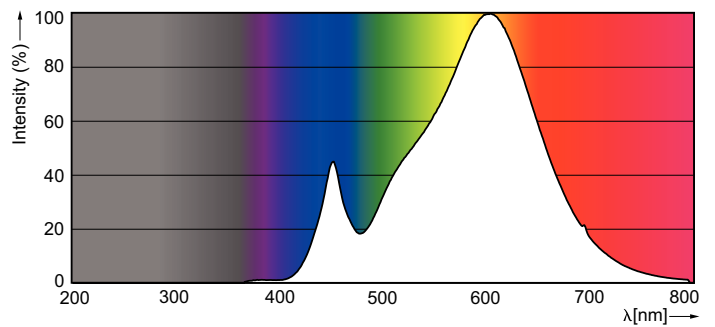
LED D 20-100W 830 AR111 12D

Product	D	C
20AR111/LED/830/F15 DIM 12V FB 1PK 6/1	111 mm	62.3 mm

Photometric data



20-100 W GX53 /830 AR111 12D



20-100W AR111 /830

AR111 LED

