

## 5611-2W



UPC Code: 07847751808

Country Of Origin: United States

\* Eligible for ARRA funded projects

Made in USA



## 5611-2W

### Brand Features

Featuring a look and feel that qualify them as modern classics, Decora Designer Rocker Switches add so much at a modest cost that no home should be without them. Their sleek simplicity and smooth, quiet operation stem from quality materials fitted to tight tolerances and finished with great care, ensuring years of trouble-free service. Easy to wire, they work with tungsten, fluorescent and resistive loads. Legendary Decora® Designer Rocker Switches come in a variety of colors to harmonize with any décor. Their sturdy construction and dependable performance are everything you'd expect from the pre-eminent switch maker.

### Item Description

15 Amp, 120/277 Volt, Decora Rocker Single-Pole AC Quiet Switch, Residential Grade, Illuminated When Off, Grounding, Quickwire Push-In & Side Wired - White

**NOTE: When connected to compact fluorescent lamps or LEDs, the bulb may flicker while switch is in the off position.**

### Technical Information

#### Product Features

**Strap Material:** Steel

**Grounding:** Grounding

**Warranty:** 2 Year Limited

**Max. Amperage:** 12 Amp

**Color:** White

**HP Rating:** 1/2HP-120V 2HP-240V-277V

**Termination:** Quickwire Push-In & Side

**Feature:** Illuminated

**Body Material:** Thermoplastic

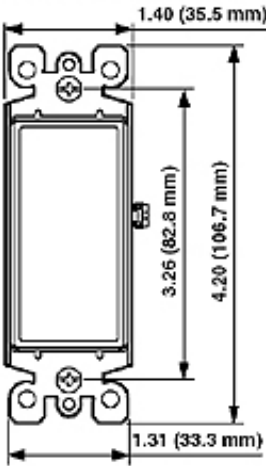
**Voltage:** 120/277 Volt

**Amperage:** 15 Amp

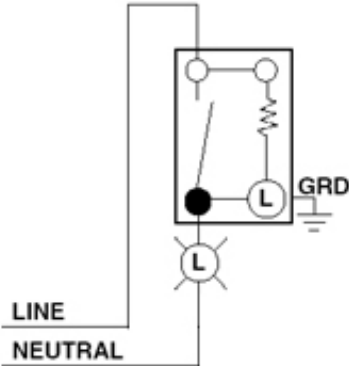
**Standards and Certifications:** UL/CSA

**Actuator Material:** Thermoplastic

**Dimensional Diagram**



**Wiring Diagram  
Single-Pole Lighted**



**SPECIFICATION SUBMITTAL**

JOB NAME:	CATALOG NUMBERS:	
JOB NUMBER:		

