

IMPORTANT SAFETY INSTRUCTIONS

DANGER - RISK OF SHOCK - DISCONNECT POWER BEFORE INSTALLATION.

The retrofit kits including Installation Instructions, LED Lamp, Luminaire Marking Labels.

The T8 LED tubes are intended to retrofit listed surface mounted, type Non-IC or type IC recessed mounted fluorescent luminaires with or without diffuser for maximum four lamps with lamp to lamp distance 11 cm minimum; Or retrofit surface mounted listed fluorescent luminaires without diffuser for maximum six lamps with lamp to lamp distance 5.5 cm minimum.

The products are intended to be used in dry and damp locations only.
 The wiring configuration of the products is "BE", meaning "Both Ends" (power applied to both ends of the lamp simultaneously).

THIS PRODUCT MUST BE INSTALLED IN ACCORDANCE WITH THE APPLICABLE INSTALLATION CODE BY A PERSON FAMILIAR WITH THE CONSTRUCTION AND OPERATION OF THE PRODUCT AND THE HAZARDS INVOLVED.

WARNING - Risk of fire or electric shock. The electrical rating of these products are 120-277Vac. The installer must determine that they have 120-277V at the luminaire before installation.

WARNING - Risk of fire or electric shock. LED Retrofit Kit installation requires knowledge of luminaires electrical systems. If not qualified, do not attempt installation. Contact a qualified electrician.

WARNING - Risk of fire or electric shock. Install this kit only in the luminaires that have the construction features and dimensions shown in the photographs and/or drawings and where the input rating of the retrofit kit does not exceed the input rating of the luminaire.

WARNING - To prevent wiring damage or abrasion, do not expose wiring to edges of sheet metal or other sharp objects.

Do not make or alter any open holes in an enclosure of wiring or electrical components during kit installation.
 Do not remove ballast from fixture due to UL requirements.

Installers should not disconnect existing wires from lamp holder terminals to make new connections at lamp holder terminals. Instead installers should cut existing lamp holder leads away from the lamp holder and make new electrical connections to lamp holder lead wires by employing applicable connectors.

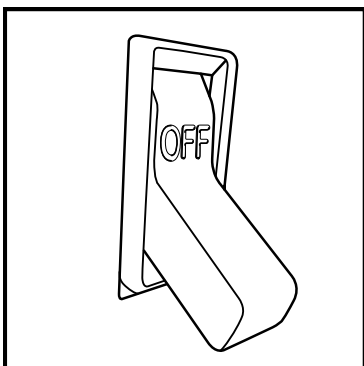
THIS RETROFIT KIT IS ACCEPTED AS A COMPONENT OF A LUMINAIRE WHERE THE SUITABILITY OF THE COMBINATION SHALL BE DETERMINED BY AUTHORITIES HAVING JURISDICTION.

DO NOT USE WITH DIMMERS.

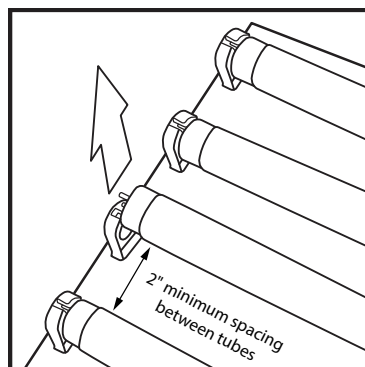
RISK OF ELECTRIC SHOCK – USE IN DRY AND DAMP LOCATION ONLY.

THIS DEVICE IS NOT INTENDED FOR USE WITH EMERGENCY EXITS.

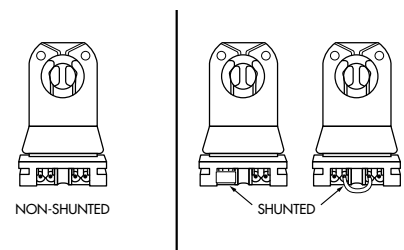
Replace with TCP L13T8BY50XXK, L12T8BY50XXK, L9T8BY50XXK where XX indicates color temperature.



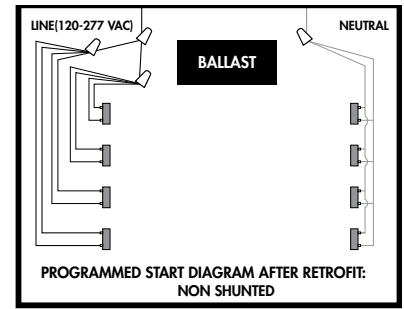
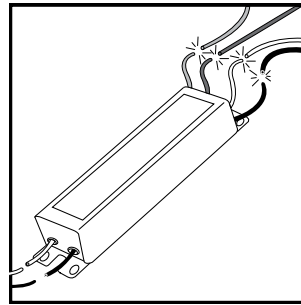
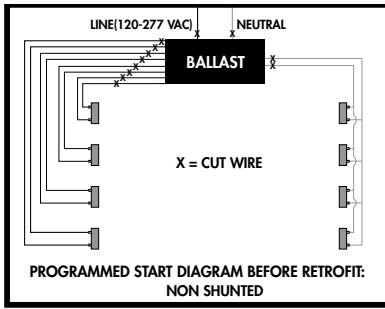
1 Switch Power OFF



2 Remove fluorescent lamps. Dispose of fluorescent lamps per local requirements and codes for mercury disposal. Gain access to ballast by removing cover.



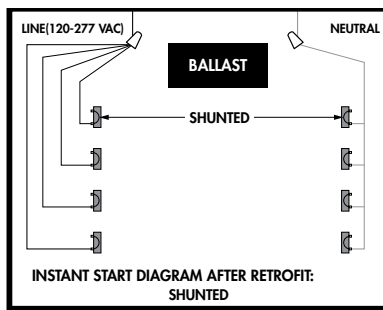
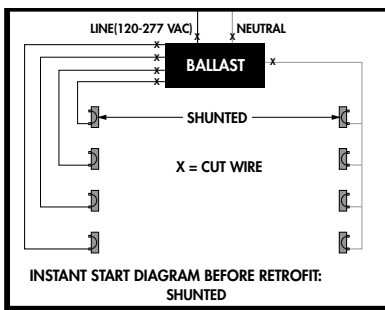
3 Check whether lamp holders (tombstones) are shunted, indicating Instant Start. If shunted, proceed to Step 7. Non-shunted tombstones indicate Programmed Start. If PS, proceed to Step 4 for wiring diagram.



4 Wiring diagrams of **PROGRAMMED START**.

5 Cut all wires to ballast (close to ballast case). **DO NOT REMOVE BALLAST!** Keep ballast in place. Rewire according to Step 6.

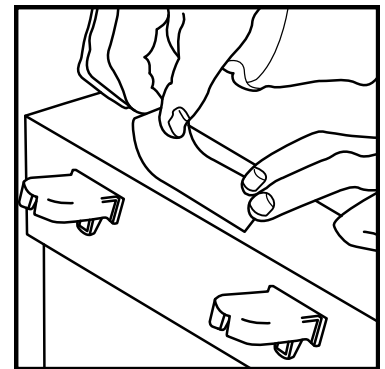
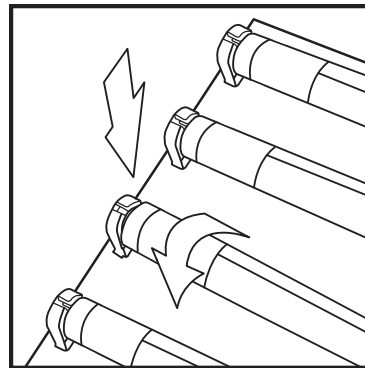
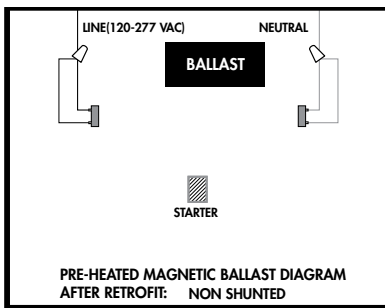
6 Revised wiring diagrams of Programmed Start.



7 For **INSTANT START**: Cut wires indicated in diagram. Attach leads together with wire nuts, as shown in diagram for Step 8.

8 Revised wiring diagrams of Instant Start. **DO NOT REMOVE BALLAST!** Keep ballast in place.

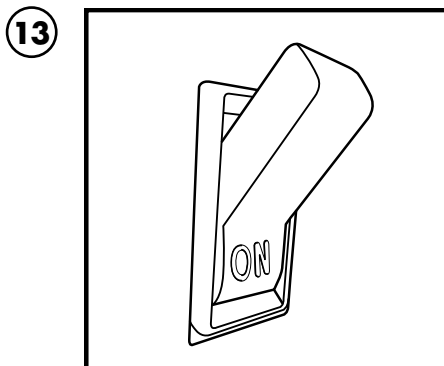
9 For **PRE-HEATED MAGNETIC BALLAST**: Cut wires around starter, as well as Neutral leads around Ballast. Wire according to diagram in Step 10.



10 Revised wiring diagrams of Pre-Heated Magnetic Ballast. **DO NOT REMOVE BALLAST!** Keep ballast in place.

11 Install ballast cover. Install LiberaT8 lamps.

12 Apply the provided label. Fluorescent lamp holders within this fixture have been rewired to line voltage and will no longer operate the original fluorescent lamp. Place this label on the fixture where visible.



Switch Power ON.
If lamps fail to illuminate, switch power off and review diagrams again.

This luminaire has been modified to operate LED lamps. Do not attempt to install or operate fluorescent lamps in this luminaire. Replace with TCP L13T8BY50XXK, L12T8BY50XXK, L9T8BY50XXK where XX indicates color temperature.

LiberaT8™ LED