

## FEATURES & SPECIFICATIONS

**INTENDED USE** — The adjustable LED Gimbal downlighting module is 80% more efficient than incandescent luminaires, performing for 35,000 hours or more with exceptional energy efficiency and near zero maintenance. Multiple trim finish options are available to pick the style that matches the décor for any office or home. The LED Gimbal is intended for sloped ceiling applications, grazing textured surfaces, wall washing, and highlighting artwork or other architectural features. Retrofits into most existing recessed downlighting installations or new construction and remodel applications.

**CONSTRUCTION** — Spun steel gimbal reflectors with 180° of rotation and at least 35° of adjustable tilt in both directions. Driver affixed to a static yoke to allow maximization of LED light engine rotation and pivot movements.

**OPTICS** — Diffused lens at end of mixing chamber to provide even light distribution for general illumination, equivalent to 50W incandescent flood lamp.

Wide flood beam angle at >90°. CRI >90. Equivalent to 50W incandescent. The LED module maintains at least 70% light output for 35,000 hours.

**ELECTRICAL** — Primary power disconnect provided for simple connection to a dedicated LED connector in the housing. Dimming down to 15%.

**INSTALLATION** — Suitable for installation in standard height rough-in sections. E26 socket adapter and splice kit ships standard. This enables easy installation or permanent conversion to an LED source for Title 24 compliance. Includes three friction clips to ensure easy installation.

**LISTINGS** — CSA certified to US and Canadian safety standards. ENERGY STAR® certified; California T24 compliant. Damp location listed.

**WARRANTY** — 5-year limited warranty.

**Note:** Actual performance may differ as a result of end-user environment and application.

All values are design or typical values, measured under laboratory conditions at 25 °C.

Specifications subject to change without notice.

# 4G1

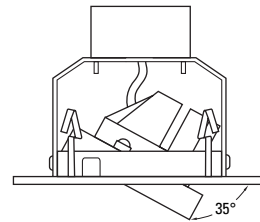
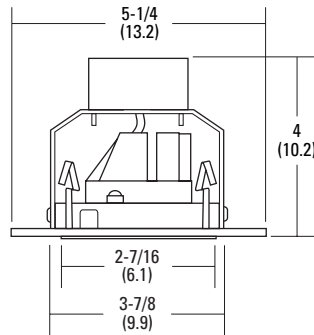
IC/Non-IC  
Retrofit Gimbal



### Specifications

Aperture:	2-7/16 (6.1)
Ceiling opening:	as rough-in
Length:	3-7/8 (9.9)
Height:	4 (10.2)
Overlap trim:	5-1/4 (13.2)

All dimensions are in inches (centimeters) unless otherwise indicated.



### ORDERING INFORMATION

For shortest lead times, configure product using **standard options (shown in bold)**.

**Example:** 4G1MW LED 27K 90CRI L3LED T24

4G1		LED		Voltage		Options			
Series/Finish		Lamp	CCT/CRI/W/Lumens <sup>2</sup>		Voltage		Options		
<b>4G1</b>	<b>4"</b> Gimbal module	<b>LED</b>	(blank)	3000K/83CRI/7.9W/L	<b>(blank)</b>	<b>120V</b>	<b>L3LED T24</b>	IC/Non-IC rated, new construction rough-in LED base	
	<b>MB</b>		Matte black	27K 90CRI			2700K/91CRI/8.3W/480L	<b>L3RLED T24</b>	IC/Non-IC rated, remodel rough-in LED base
	<b>BN</b>		Brush nickel	30K 90CRI			<b>3000K/93CRI/7.7W/435L</b>	<b>L3</b>	IC/Non-IC rated, new construction rough-in <sup>3,4</sup>
	<b>ORB</b>		Oil-rubbed bronze	40K 90CRI			4000K/94CRI/8W/560L	<b>L3R</b>	IC/Non-IC rated, remodel rough-in <sup>3,4</sup>

### Notes

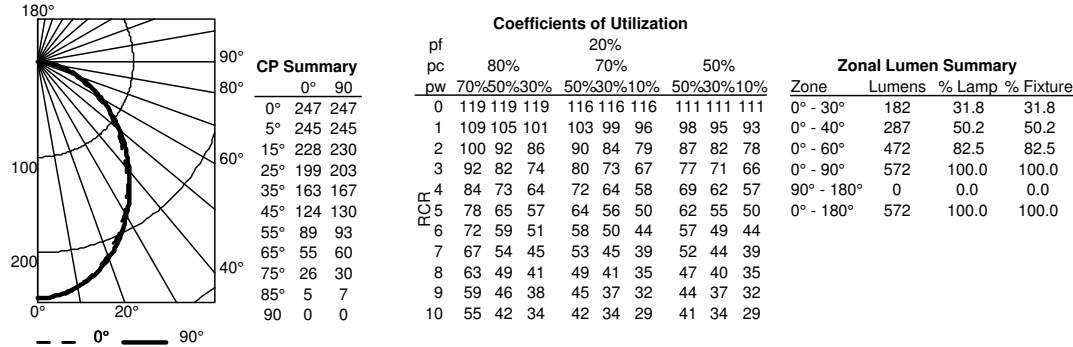
- Available in 90CRI only.
- Total system delivered lumens.
- Must be ordered on a separate line.
- To install LED Gimbal, remove socket and assembly leaving socket wires. Install using hardwire kit provided.

# 4G1 4" LED Gimbal Module

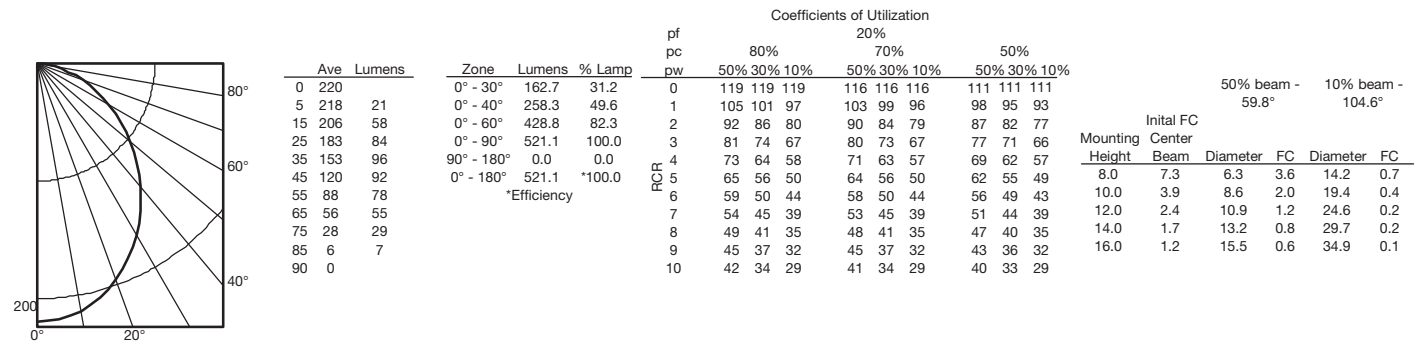
## PHOTOMETRICS

Distribution Curve      Distribution Data      Output Data      Coefficient of Utilization      Illuminance Data at 30" Above Floor for a Single Luminaire

**4G1MW LED 40K 90CRI**, 4000 K LEDs, input watts: 7.9, delivered lumens: 572, LM/W=72.4, test no. LTL28358, tested in accordance with IESNA LM 79-80.



**4G1MW LED 30K 90CRI**, 3000 K LEDs, input watts: 7.9, delivered lumens: 435, LM/W=68, test no. LTL28359, tested in accordance with IESNA LM 79-80.



**4G1MW LED 27K 90CRI**, 27000 K LEDs, input watts: 8.3, delivered lumens: 480, LM/W = 59, test no. LTL28357, tested in accordance with IESNA LM 79-80.

