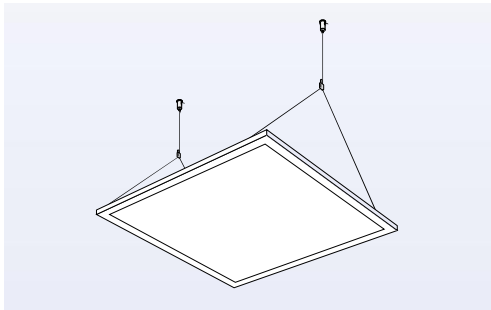




## Suspension Mount Kit

Installation Instructions for LED Flat Panel  
For 1'x4', 2'x2', and 2'x4' LED Flat Panels



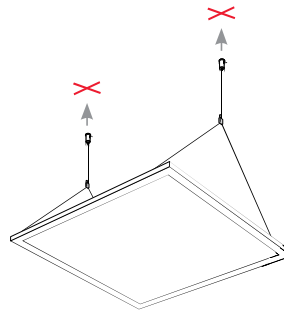
### WHAT COMES IN THE BOX

The **AC-RLP** 1' X 4' & 2' X 2' LED Flat Panel Suspension Mount Kit comes with the following standard parts:

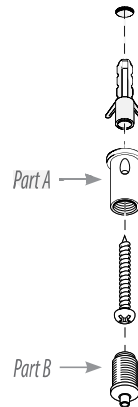


The **AC-RLP** 2' X 4' Kit will come with 3 wires, 3 anchor/screw sets and 3 locking mounts.

*Before beginning installation, carefully remove accessory parts from packaging, inspect and ensure all pieces are accounted for.*

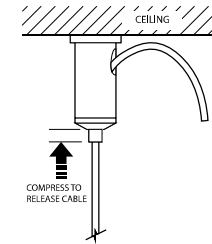


1. Determine placement for locking mount on ceiling.



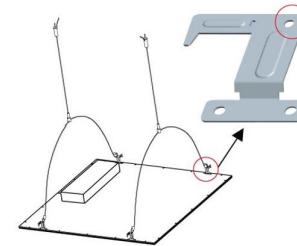
2. Secure and assemble locking mount to ceiling.

Install anchors in drywall. Attach Part A of locking mount to ceiling by inserting screw through Part A and tightening into anchor. Screw Part B of locking mount into Part A.



3. Hang Flat Panel.

Insert wire up through bottom of locking mount. Tug wire to test/ensure security. Do this for all wires.  
*Note: Compress lock end to release wires.*



4. Attach clips to brackets on Flat Panel corners.

Once hung, adjust wire lengths to level as needed (Max length is 4.45' for 2X2 & 2X4 kit and 4.8' for 1X4 kit.) Cut excess wire.