

READ AND FOLLOW ALL SAFETY INSTRUCTIONS! SAVE THESE INSTRUCTIONS AND DELIVER TO OWNER AFTER INSTALLATION

- To reduce the risk of death, personal injury or property damage from fire, electric shock, falling parts, cuts/abrasions, and other hazards please read all warnings and instructions included with and on the fixture box and all fixture labels.
- Before installing, servicing, or performing routine maintenance upon this equipment, follow these general precautions.
- Installation and service of luminaires should be performed by a **qualified licensed electrician**.
- Maintenance of the luminaires should be performed by person(s) familiar with the luminaires' construction and operation and any hazards involved. Regular fixture maintenance programs are recommended.
- It will occasionally be necessary to clean the outside of the refractor/lens. Frequency of cleaning will depend on ambient dirt level and minimum light output which is acceptable to user. Refractor/lens should be washed in a solution of warm water and any mild, non-abrasive household detergent, rinsed with clean water and wiped dry. Should optical assembly become dirty on the inside, wipe refractor/lens and clean in above manner, replacing damaged gaskets as necessary.
- **DO NOT INSTALL DAMAGED PRODUCT!** This luminaire has been properly packed so that no parts should have been damaged during transit. Inspect to confirm. Any part damaged or broken during or after assembly should be replaced.
- Recycle: For information on how to recycle LED electronic products, please visit www.recycling.com
- These instructions do not purport to cover all details or variations in equipment nor to provide every possible contingency to meet in connection with installation, operation, or maintenance. Should further information be desired or should particular problems arise which are not covered sufficiently for the purchaser's or owner's purposes, this matter should be referred to Acuity Brands Lighting, Inc.



WARNING RISK OF ELECTRIC SHOCK

- Disconnect or turn off power before installation or servicing.
- Verify that supply voltage is correct by comparing it with the luminaire label information.
- Make all electrical and grounded connections in accordance with the National Electrical Code (NEC) and any applicable local code requirements.
- All wiring connections should be capped with UL approved recognized wire connectors.



WARNING RISK OF BURN

- Allow lamp/fixture to cool before handling. Do not touch enclosure or light source.
- Do not exceed maximum wattage marked on luminaire label.
- Follow all manufacturer's warnings, recommendations and restrictions for: driver type, burning position, mounting locations/methods, replacement and recycling.



CAUTION RISK OF INJURY

- Wear gloves and safety glasses at all times when removing luminaire from carton, installing, servicing or performing maintenance.
- Avoid direct eye exposure to the light source while it is on.



CAUTION RISK OF FIRE

- Keep combustible and other materials that can burn, away from lamp/lens.
- Do not operate in close proximity to persons, combustible materials or substances affected by heat or drying.



CAUTION: RISK OF PRODUCT DAMAGE

- Never connect components under load.
- Do not mount or support these fixtures in a manner that can cut the outer jacket or damage wire insulation.
- Never connect an LED product to an unapproved dimmer pack. Contact ABL directly for any dimmers not specifically recommended for the product.
- Unless individual product specifications deem otherwise: Allow for some volume of airspace around fixture. Avoid covering LED fixtures with insulation, foam, or other material that will prevent convection or conduction cooling.
- Unless individual product specifications deem otherwise: Maximum ambient temperature is 90°C. Do not operate fixture at temperatures higher than this.
- Unless individual product specifications deem otherwise: Never mount in places where fixture will be exposed to rain, high humidity, extreme temperature changes or restricted ventilation.
- LED products are Polarity Sensitive. Ensure proper Polarity before installation.
- Electrostatic Discharge (ESD): ESD can damage LED fixtures. Personal grounding equipment must be worn during all installation or servicing of the unit.
- Do not touch individual electrical components as this can cause ESD, shorten lamp life, or alter performance.
- There are no user serviceable parts inside the unit. Do not rewire, reconfigure, or modify the unit or attempt any repairs yourself. Additionally, field replacement of the LED assembly or lamps is not allowed by UL standards at this time. In the unlikely event your unit may require service, stop using the unit immediately and contact an ABL representative.

All luminaires that contain electronic devices that generate frequencies above 9kHz from any component within the luminaire comply with one of the following Part 15 of the FCC Rules. Operation is subject to the following two conditions:

- (1) This device may not cause harmful interference
- (2) This device must accept any interference received, including interference that may cause undesired operation.

This device complies with Part 18 of the FCC Rules but may cause interference with cordless and cell phones, radios, televisions, and other electronic devices. To correct the problem move the device away from the luminaire or plug into a different outlet. This product may cause interference to radio equipment and should not be installed near maritime safety communications equipment or other critical navigation or communications equipment operating between 0.45-30MHz.

Failure to follow any of these instructions could void product warranties. For a complete listing of product Terms and Conditions, please visit www.acuitybrands.com

OUR BRANDS

Indoor/Outdoor: Lithonia Lighting, Carandini, Holophane, RELOC

Indoor Lighting: Gotham, Mark Architectural Lighting, Peerless, Renaissance Lighting, Winona Lighting

Outdoor Lighting: American Electric Lighting, Antique Street Lamps, Hydrel, Tersen

Controls: DARK TO LIGHT, Lighting Control & Design, ROAM, Sensor Switch, Synergy

Acuity Brands Lighting, Inc. assumes no responsibility for claims arising out of improper or careless installation or handling of its products.

ABL LED General Warnings, Form No. 503.203

© 2010 Acuity Brands Lighting, Inc. All rights reserved. 12/01/10

LDN 4" and 6" Downlight INSTALLATION INSTRUCTIONS

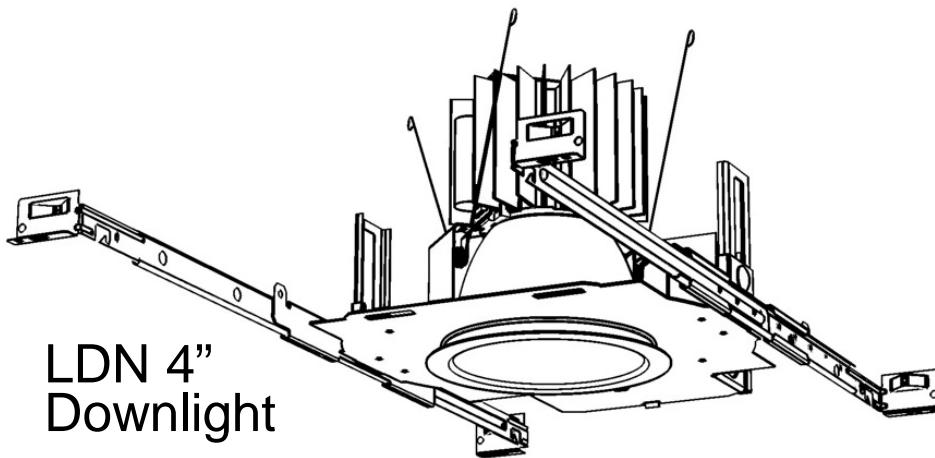
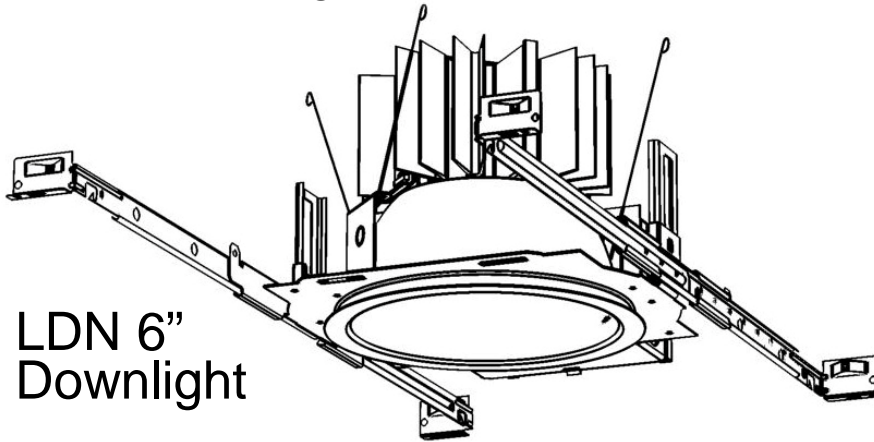


These installation instructions are used for installing the following luminaires and kits

Luminaire Variant	Mounting Kits
LDN4	Hangers bars (Included)
LDN4 SQ	
LDN6	
LDN6 SQ	

Identification of the downlight luminaire Page 2
 Installation of round variant Page 3
 Installation of square variant Page 5

A) Identification of Downlight Luminaire Part



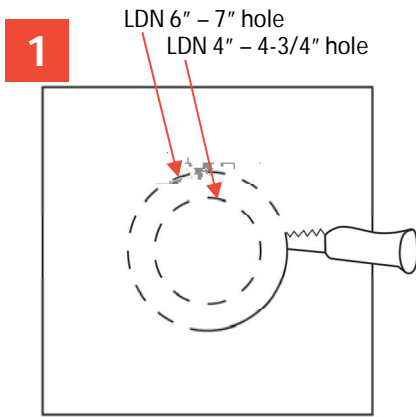
B) Important Safety Information - For Your Protection, Read Carefully

Warning: Risk of fire. Do not install insulation within 3 inches of fixture sides or wiring compartment, nor above fixture in such a manner as to entrap heat.

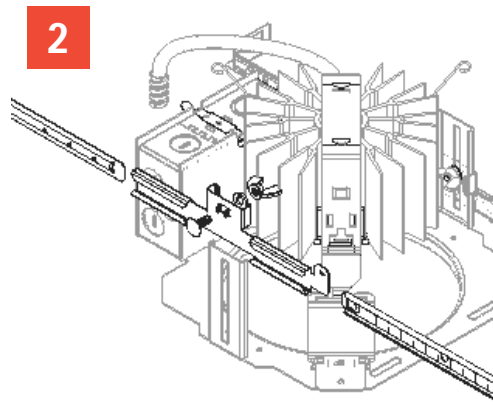
Electric current can cause painful shock or serious injury unless handled properly. For your safety, always remember the following:

- Turn off the supply power.
- Ground the fixture to avoid potential electrical shocks.
- Do not handle an energized fixture or energize any fixture with wet hands, when standing on a wet or damp surface, or in water.

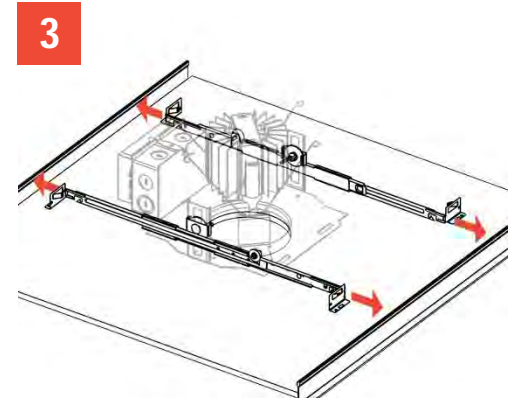
C) Lay-in Panel T-bar Ceiling Installation



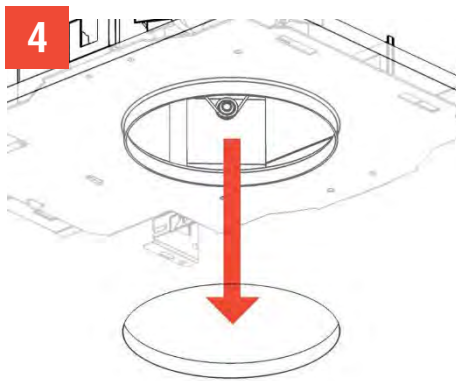
Cut ceiling opening slightly larger than the outside diameter on the mounting frame.
4" Ceiling opening: 4-3/4" (12.1cm), 6"
Ceiling opening: 7" (17.8cm)



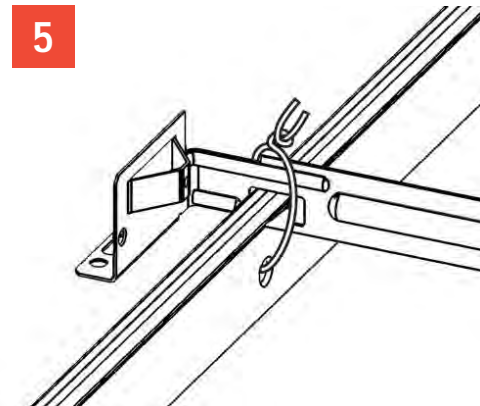
Assemble the channel bars to each side of the of the mounting frame with the included hardware. Leave the hardware loose to adjust the position of the frame in the ceiling.



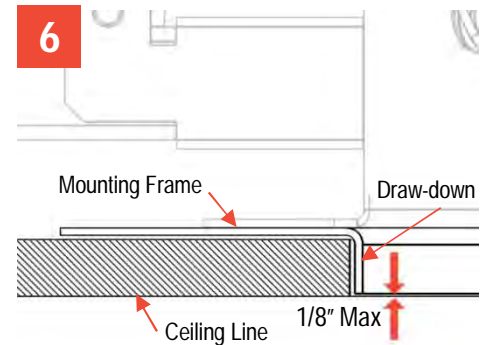
Adjust channel bars to the correct spacing between T-bar. See Page 4 for procedure for non-accessible ceiling installation.



Position mounting frame through opening in ceiling.

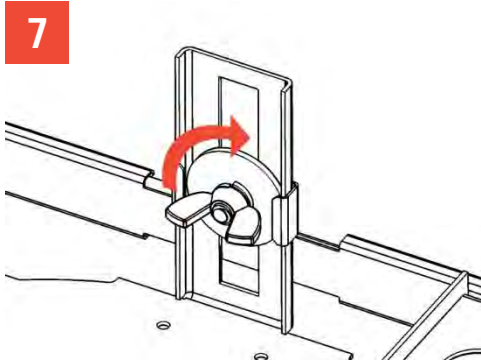


Secure channel bars to T-bar by means of wire ties.

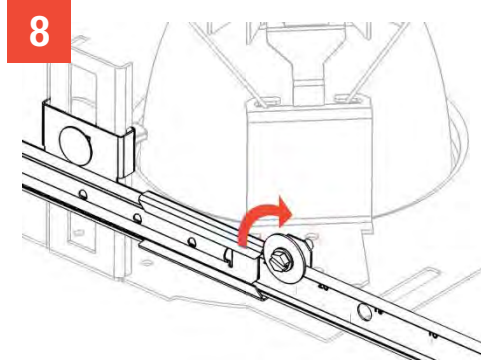


Adjust the mounting frame vertically to align the bottom edge of the draw-down to either flush or slightly above (1/8" max) the ceiling line.

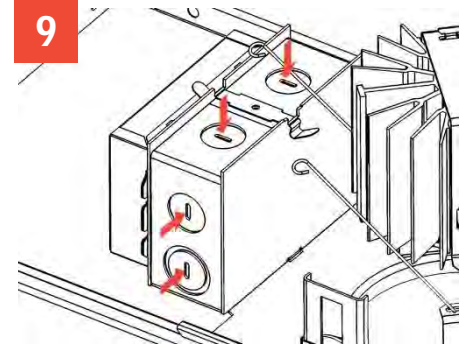
C) Lay-in Panel T-bar Ceiling Installation (Cont.)



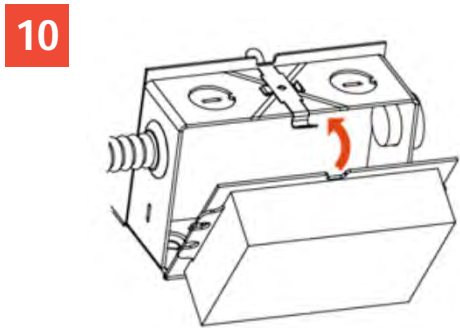
Re-tighten both vertical adjustment nuts.



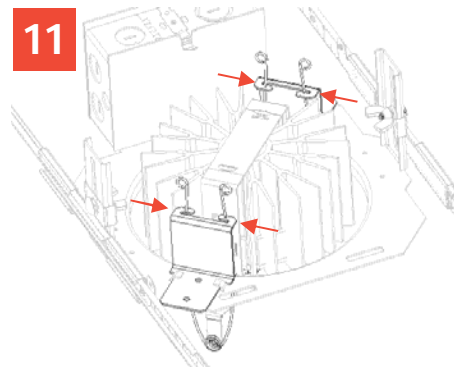
Re-tighten both channel bar clamping screws.



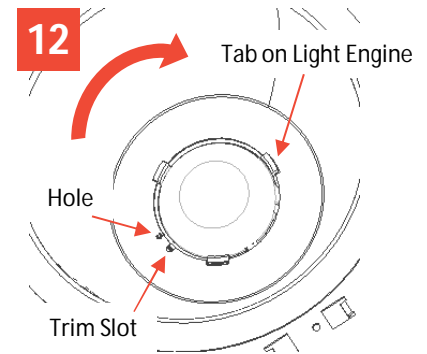
Remove knockouts on junction box to feed power supply to fixture. Supply wire must meet applicable electrical codes and be rated for a minimum of 90°C. Junction box is thru-wire rated for 8-No. 12 AWG conductors (4in-4out).



Complete necessary splices. Snap the door/driver assembly onto the junction box.

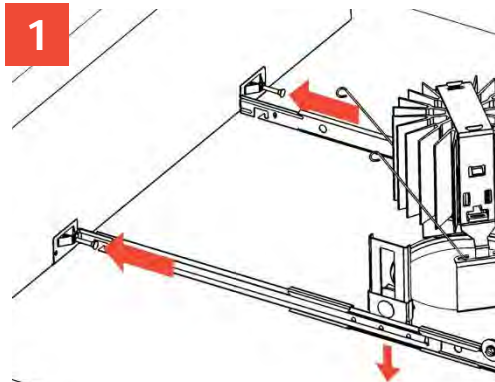


Squeeze wire springs on the light engine and insert each leg of the spring into the slots on the brackets on either side of the opening in the mounting frame. Pull the light engine down so the looped end of the wire spring rests on the top of the bracket.



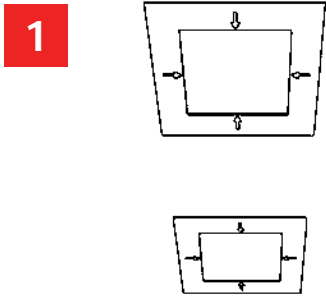
Align the opening in the trim with the tabs on the light engine. Rotate the trim clockwise until trim slot aligns with the hole in the trim holder. Secure trim with provided screw. Push the light engine up so it flush with the ceiling.

D) Non-accessible Ceiling Installation (e.g. plaster, drywall, etc.)



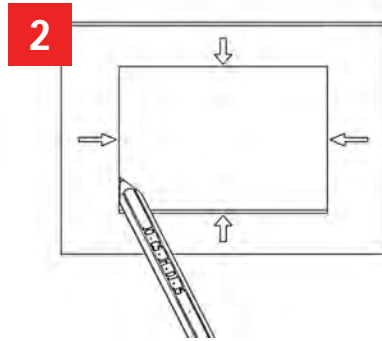
Mount to joists with flanges on channel bars resting against the bottom faces of the joists. Drive included nail into joist to secure. Move vertical adjustment to lowest point.

E) Ceiling Hole for Square Luminaire Variant

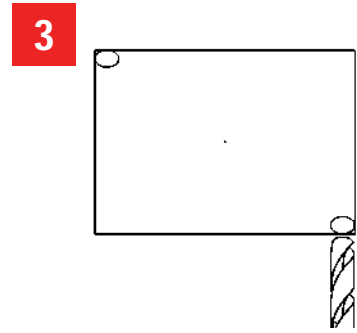


READ SECTION C-1 PRIOR TO CONTINUING.

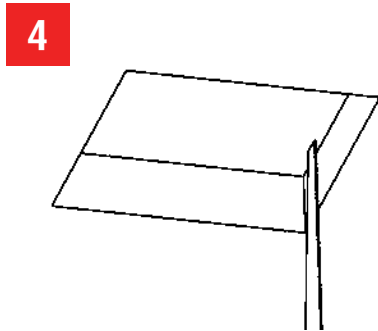
Use a laser or other accurate method to ensure that your template marks are aligned.



Using the square template, sketch the hole on the ceiling.



Drill a small hole at two corners of the sketched template.



Using a keyhole saw, cut on sketched line. Return to section C-2 to complete the installation.