

12210-241C-TC

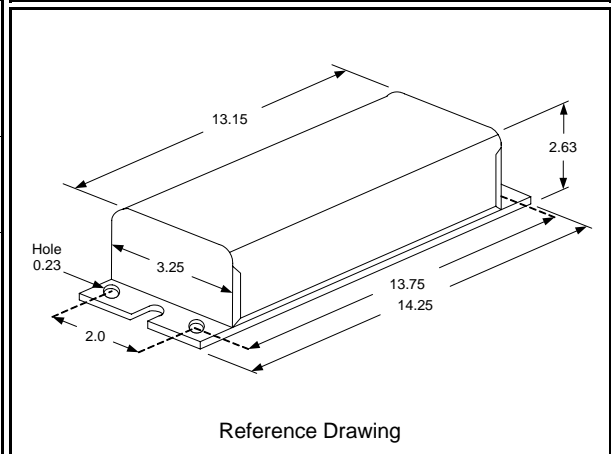
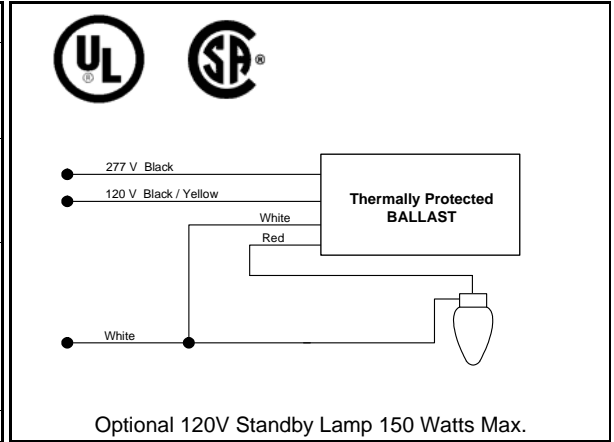
150W S55

High Pressure Sodium

60Hz HX-HPF

Specification Sheet

Input Volts	120	277			
Regulation					
Line Volts	±5%	±5%			
Lamp Watts	±10%	±10%			
Power Factor (min)	90%	90%			
Input Watts	185 W	185 W			
NOM. Open Circuit Voltage	120 V	120 V			
Line Current (Amps)					
Operating	1.60	0.70			
Open Circuit	2.80	1.20			
Starting	1.80	0.80			
Recommended Fuse (Amps)	8	4			
Lamp Dropout Voltage (Line)	90 V	210 V			
Ratings					
Insulation Class	A (105°C)	A (105°C)			
Sound Rating	B	B			
MIN. Starting Temperature	-40°F -40°C	-40°F -40°C			
CAPACITOR Specifications					
Microfarads	-	-			
Volts (min.)	-	-			
60Hz Test Procedures					
High Potential Test 1 Minute	2000 V	2000 V			
High Potential Test 1 Second	2500 V	2500 V			
Secondary Open Ckt Voltage (V)	110 - 135	110 - 135			
Secondary Current Shorted (A)	3.90 - 4.80	3.90 - 4.80			
Input Operating Current (A)	1.40 - 1.80	0.60 - 0.80			
Input Open Circuit Current (A)	1.40 - 4.00	0.60 - 1.75			
Input Short Circuit Current (A)	1.20 - 2.40	0.50 - 1.10			
Physical Characteristics					
Weight	14 lbs	14 lbs			
Lead Lengths (inches)	12-14	12-14			
Coil Material (Pri. / Sec.):	Cu / Cu	Cu / Cu			



Capacitor: Internal **Ignitor: Internal**

BTL: 10 ft

High Voltage Pulses are present at open circuit

Insulate unused input lead with proper electrical insulation

Anchor bracket / tab provided for splice box SB-4 (not included)

Document #:	010-12693-01
Date:	5/6/2009
Status:	Production
Replaces Catalog #:	New Design

Data is based upon tests performed by Universal Lighting Technologies in a controlled environment and is representative of relative performance. Actual performance may vary depending on operating conditions. Specifications are subject to change without notice.