

FEATURES & SPECIFICATIONS

INTENDED USE — Typical applications include corridors, lobbies, conference rooms and private offices.

CONSTRUCTION — Galvanized steel mounting/plaster frame; galvanized steel junction box with bottom-hinged access covers and spring latches. Reflectors are retained by torsion springs. Vertically adjustable mounting brackets with commercial bar hangers provide 3-3/4" total adjustment. Two combination 1/2"-3/4" and four 1/2" knockouts for straight-through conduit runs. Capacity: 8 (4 in, 4 out). No. 12 AWG conductors, rated for 90°C. Accommodates 12"-24" joist spacing. Passive cooling thermal management for 25°C standard; high ambient (40°C) option available. Light engine and drivers are accessible from above or below ceiling. Max ceiling thickness 1-1/2".

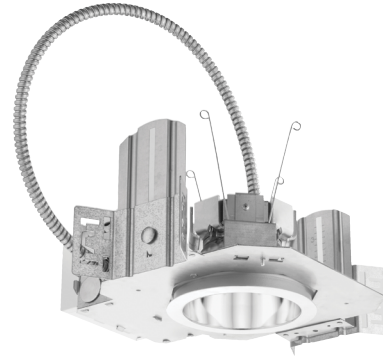
OPTICS — LEDs are binned to a 3-step SDCM; 80 CRI minimum. LED light source concealed with diffusing optical lens. General illumination lighting with 1.0 S/MH and 55° cutoff to source and source image. Self-flanged anodized reflectors in specular, semi-specular, or matte diffuse finishes. Also available in white and black painted reflectors.

ELECTRICAL — Multi-volt (120-277V, 50/60Hz) 0-10V dimming drivers mounted to junction box, 10% or 1% minimum dimming level available. 0-10V dimming fixture requires two (2) additional low-voltage wires to be pulled. 70% lumen maintenance at 50,000 hours.

LISTINGS — Certified to US and Canadian safety standards. Damp location standard (wet location, covered ceiling optional). ENERGY STAR® certified product.

WARRANTY — 5-year limited warranty.

Note: Actual performance may differ as a result of end-user environment and application. All values are design or typical values, measured under laboratory conditions at 25 °C. Specifications subject to change without notice.



LDN4

**4" OPEN
Non-IC
New Construction Downlight**



A+ Capable options indicated by this color background.

ORDERING INFORMATION

Lead times will vary depending on options selected. Consult with your sales representative.

Example: LDN4 35/15 L04AR LSS MVOLT EZ1

LDN4		Color temperature		Lumens ¹		Aperture/Trim Color		Finish		Voltage			
Series	LDN4 4" round	27/	2700K	05	500 lumens	L04	Downlight	AR	Clear	LSS	Semi-specular	MVOLT	Multi-volt
		30/	3000K	10	1000 lumens	LW4	Wallwash	WR ²	White	LD	Matte diffuse	120	120V
		35/	3500K	15	1500 lumens			BR ²	Black	LS	Specular	277	277V
		40/	4000K	20	2000 lumens							347 ³	347V
		50/	5000K	25	2500 lumens								
				30	3000 lumens								

Driver	Options	
GZ10 0-10V driver dims to 10%	SF ⁴	Single fuse
GZ1 0-10V driver dims to 1%	TRW ⁵	White painted flange
EZ10 0-10V eldoLED driver with smooth and flicker-free deep dimming performance down to 10%	TRBL ⁵	Black painted flange
	EL ⁴	Emergency battery pack with integral test switch
	ELR ⁴	Emergency battery pack with remote test switch
EZ1 0-10V eldoLED driver with smooth and flicker-free deep dimming performance down to 1%	ELSD	Emergency battery pack with self-diagnostics, integral test switch
	ELRSD	Emergency battery pack with self-diagnostics, remote test switch
	E10WCP	Emergency battery pack, 10W Constant Power, CA Title 20 compliant
	NPP16D ⁶	nLight® network power/relay pack with 0-10V dimming for non-eldoLED drivers (GZ10, GZ1).
	NPP16DER ⁶	nLight® network power/relay pack with 0-10V dimming for non-eldoLED drivers (GZ10, GZ1). ER controls fixtures on emergency circuit.
	NPS80EZ ⁶	nLight® dimming pack controls 0-10V eldoLED drivers (EZ10, EZ1).
	NPS80EZER ⁶	nLight® dimming pack controls 0-10V eldoLED drivers (EZ10, EZ1). ER controls fixtures on emergency circuit.
	N80 ⁷	nLight™ Lumen Compensation
	HAO ⁸	High ambient option (40°C)
	CP ⁹	Chicago Plenum
	WL	Wet Location
	RRL___	RELOC®-ready luminaire connectors enable a simple and consistent factory installed option across all ABL luminaire brands. Refer to RRL for complete nomenclature. Available only in RRLA, RRLB, RRLAE, and RRLC12S.
	USPOM	US point of manufacture

Notes

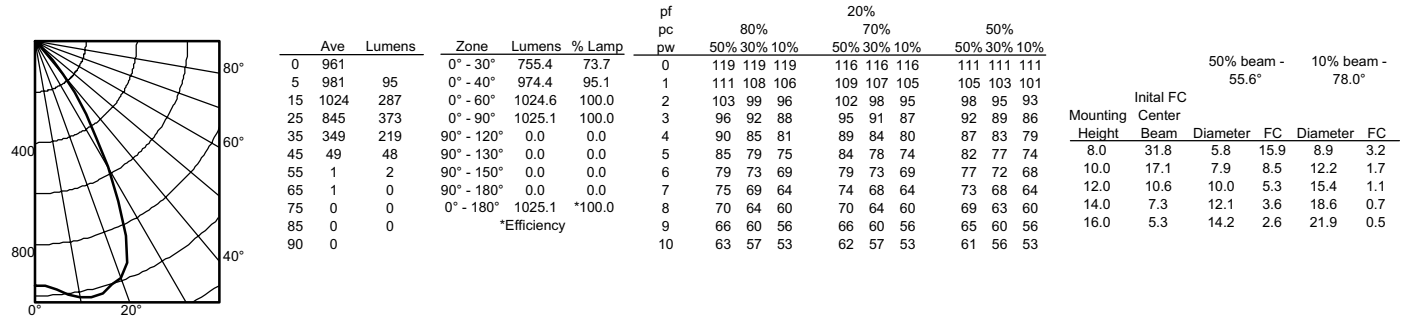
- Overall height varies based on lumen package; refer to dimensional chart on page 3.
- Not available with finishes.
- Not available with emergency options.
- Must specify voltage 120V or 277V.
- Available with clear (AR) reflector only.
- Specify voltage. ER for use with generator supply EM power. Will require an emergency hot feed and normal hot feed.
- Fixture begins at 80% light level. Must be specified with NPS80EZ or NPS80EZ ER. Only available with EZ10 and EZ1 drivers.
- Fixture height is 5-11/16" for all lumen packages with HAO.
- Must specify voltage for 3000lm.

LDN4

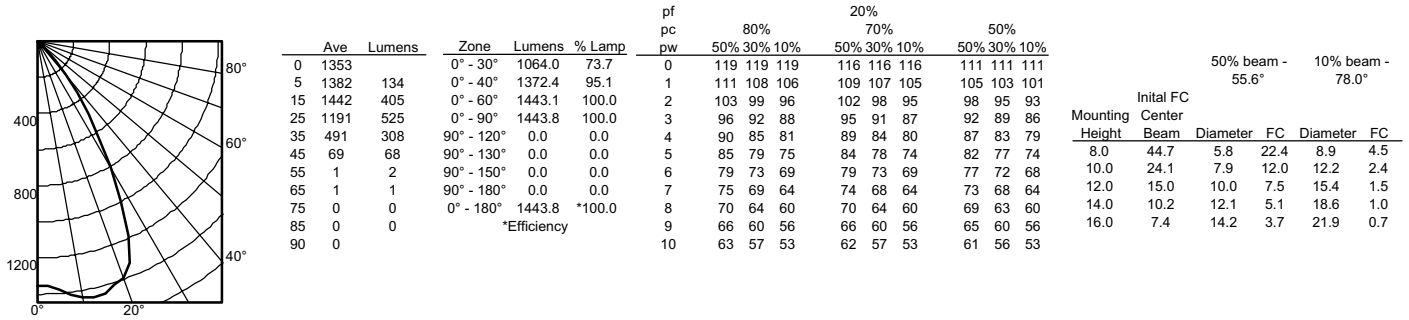
PHOTOMETRY

Distribution Curve	Distribution Data	Output Data	Coefficient of Utilization	Illuminance Data at 30" Above Floor for a Single Luminaire
--------------------	-------------------	-------------	----------------------------	------------------------------------------------------------

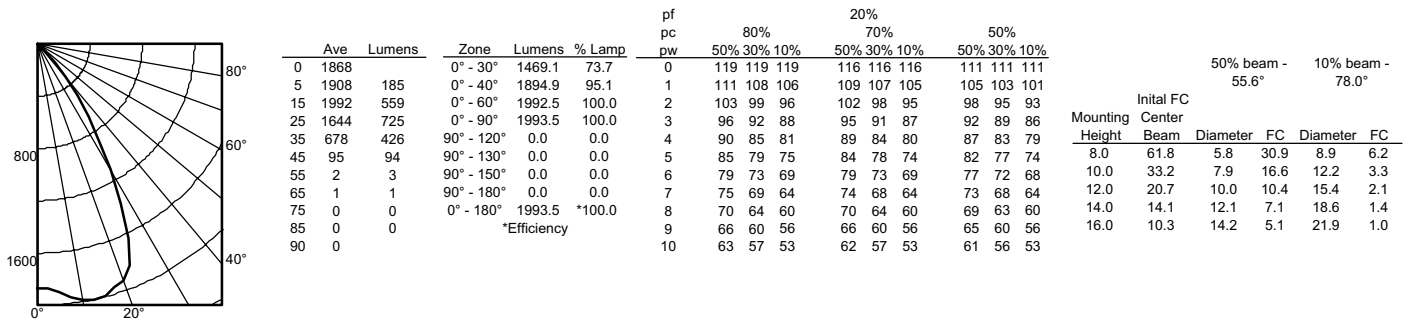
LDN4 35/10 L04AR, input watts: 12.69, delivered lumens: 1025.1, LM/W = 80.78, spacing criterion at 0= 1.04, test no. ISF 30712P31.



LDN4 35/15 L04AR, input watts: 20.44, delivered lumens: 1443.8, LM/W = 70.63, spacing criterion at 0= 1.04, test no. ISF 30712P28.



LDN4 35/20 L04AR, input watts: 22.52, delivered lumens: 1993.5, LM/W = 88.52, spacing criterion at 0= 1.04, test no. ISF 30712P25.



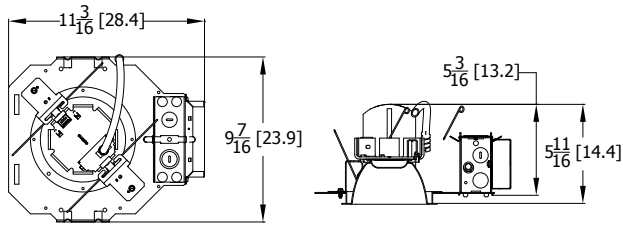
Accessories: Order as separate catalog numbers (shipped separately).

SCA4 Sloped ceiling adapter.
Degree of slope must be specified (5D, 10D, 15D, 20D, 25D, 30D).

LDN4

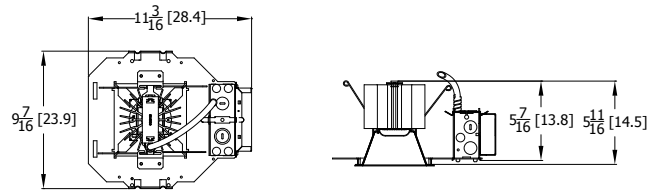
* All dimensions are inches (centimeters) unless otherwise noted.

LDN4 1500 LUMEN



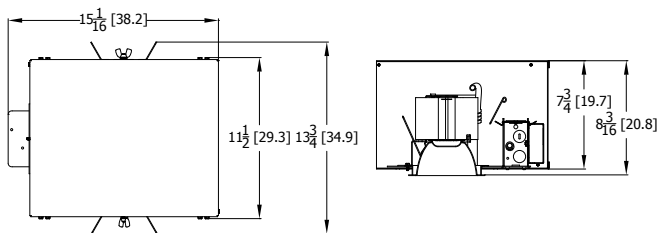
Aperture: 4-5/16 (11)
Ceiling Opening: 5-1/8 (13)
Overlap trim: 5-7/16 (13.8)

LDN4 3000 LUMEN



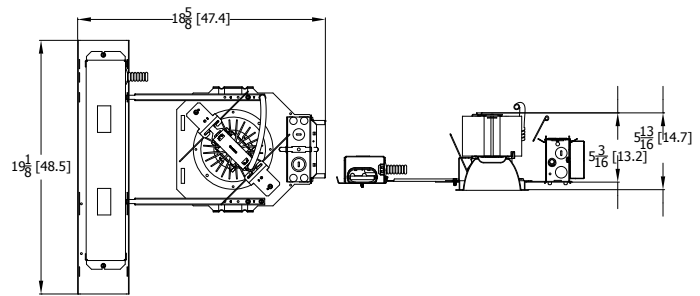
Aperture: 4-5/16 (11) Square
Ceiling Opening: 5-1/8 (13) Square
Overlap trim: 5-7/16 (13.8) Square

LDN4 CP



Aperture: 4-5/16 (11)
Ceiling Opening: 5-1/8 (13)
Overlap trim: 5-7/16 (13.8)

LDN4 EL-ELR



Aperture: 4-5/16 (11)
Ceiling Opening: 5-1/8 (13)
Overlap trim: 5-7/16 (13.8)

LDN4			
Target Lumen	Lumens @ 3500K	Wattage	LPW
500	688.8	8.5	80.8
1000	1025.1	12.7	80.7
1500	1443.8	20.4	70.8
2000	1993.5	22.5	88.6
2500	2659.0	30.1	88.3
3000	2860.1	34.8	82.2

LUMEN OUTPUT MULTIPLIERS - CCT					
	2700K	3000K	3500K	4000K	5000K
80CRI	0.950	0.966	1.000	1.025	1.101

EL/ELR AVAILABILITY/COMPATIBILITY - INITIAL LUMENS			
Lumen package	Watts	Initial lumens EL/ELR	Emergency LED driver
500	12	500	PS1050
1000	18	575	PS1050
1500	26	640	PS1050
2000	35	690	PS1050

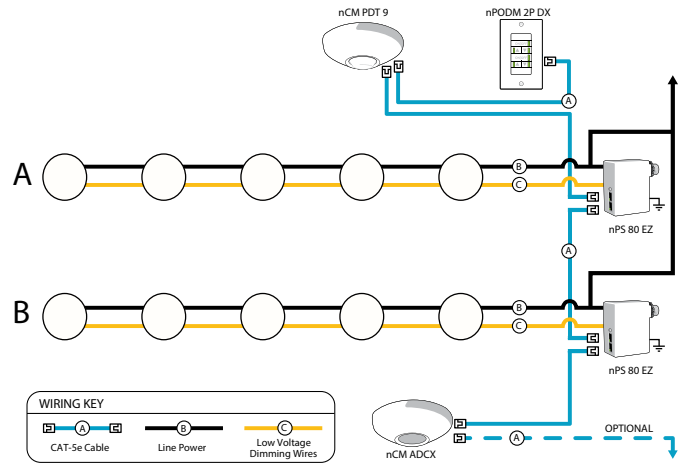
LUMEN OUTPUT MULTIPLIERS - FINISH			
	Clear (AR)	White (WR)	Black (BR)
Specular (LS)	1.0	N/A	N/A
Semi-specular (LSS)	0.950	N/A	N/A
Matte diffuse (LD)	0.85	N/A	N/A
Painted	N/A	0.87	0.73

Notes

- Tested in accordance with IESNA LM-79-08.
- Tested to current IES and NEMA standards under stabilized laboratory conditions.
- CRI: 80 typical.

ADDITIONAL DATA

COMPATIBLE 0-10V WALL-MOUNT DIMMERS		
MANUFACTURER	PART NO.	POWER BOOSTER AVAILABLE
Lutron®	Diva® DDTV	
	Diva® DVSVCTV	
	Nova T® NTFTV	
	Nova® NFTV	
Leviton®	AWSMT-7DW	CN100
	AWSMG-7DW	PE300
	AMRMG-7DW	
	Leviton Centura Fluorescent Control System	
	IllumaTech® IP7 Series	
Synergy®	ISD BC	RDMFC
	SLD LPCS	
	Digital Equinox (DEQ BC)	
Douglas Lighting Controls	WPC-5721	
Entertainment Technology	Tap Glide TG600FAM120 (120V)	
	Tap Glide Heatsink TGH1500FAM120 (120V)	
	Oasis OA2000FAMU	
Honeywell	EL7315A1019	EL7305A1010 (optional)
	EL7315A1009	
HUNT Dimming	Preset slide: PS-010-IV and PS-010-WH	
	Preset slide: PS-010-3W-IV and PS-010-3W-WH	
	Preset slide, controls FD-010: PS-IFC-010-IV and PS-IFC-010-WH-120/277V	
	Preset slide, controls FD-010: PS-IFC-010-3W-IV and PS-IFC-010-3W-WH-120/277V	
	Remote mounted unit: FD-010	
Lehigh Electronic Products	Solitaire	PBX
PDM Electrical Products	WPC-5721	
Starfield Controls	TR61 with DALI interface port	RT03 DALInet Router
WattStopper®	LS-4 used with LCD-101 and LCD-103	



nLight® Control Accessories: Order as separate catalog number.			
WallPod stations	Model number	Occupancy sensors	Model number
On/Off	nPODM [color]	Small motion 360°, ceiling (PIR / dual tech)	nCM 9 / nCM PDT 9
On/Off & Raise/Lower	nPODM DX [color]	Large motion 360°, ceiling (PIR / dual tech)	nCM 10 / nCM PDT 10
Graphic Touchscreen	nPOD GFX [color]	Wide view (PIR / dual tech)	nWV 16 / nWV PDT 16
Photocell controls	Model number	Wall Switch w/ Raise/Lower (PIR / dual tech)	nWSX LV DX / nWSX PDT LV DX
Dimming	nCM ADCX	Cat-5 cables (plenum rated)	Model number
		10', CAT5 10FT	CAT5 10FT J1
		15', CAT5 15FT	CAT5 15FT J1

A+ Capable Luminaire

This item is an A+ capable luminaire, which has been designed and tested to provide consistent color appearance and out-of-the-box control compatibility with simple commissioning.

- All configurations of this luminaire meet the Acuity Brands' specification for chromatic consistency
- This luminaire is part of an A+ Certified solution for nLight® control networks when ordered with drivers marked by a **shaded background***
- This luminaire is part of an A+ Certified solution for nLight control networks, providing advanced control functionality at the luminaire level, when selection includes driver and control options marked by a **shaded background***

*See ordering tree for details