

# LED Linear High Bay

## Applications

The HB by TCP LED High Bay family is a versatile solution for endless applications. With an all metal frame, and included mounting hardware, the HB by TCP is quick to install and will provide a long lasting durable light source for years to come.

## Features

- Post painted steel frame with no scalloping and pop riveted and rounded edge corners
- Standard frosted lens for glare control
- No shadows, smooth even lighting
- Damp location rated
- 0-10V smooth no flicker dimming
- Operating temperature: -4° to 122°F
- 250 or 400W HID Equivalent
- Wide beam spread due to angled LED design providing clean cut off
- Optional battery backup or motion sensors available

## Hardware Included:

- 2 Top Hangers
- 5' Jack Chains
- Hub Mount Kit for 3/4" Conduit/Stem Mount
- 6-Foot Pre-wired Cord

## Applications

High ceiling locations in commercial, industrial, retail, or warehouse settings.

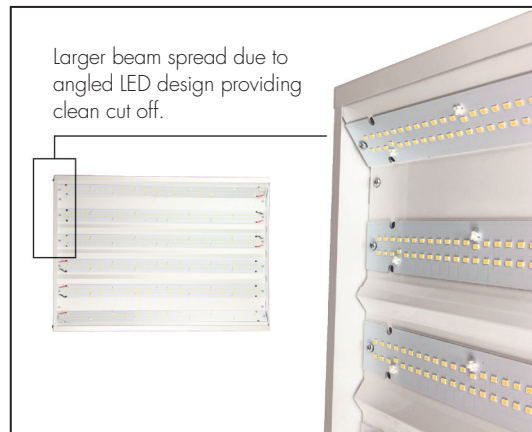


### Listings

cULus Listed  
RoHS Compliant  
DLC v4.3

### Warranty

Five year limited warranty against defects in manufacturing



5 YEAR WARRANTY



Not all versions of this product are qualified on the DLC QPL. To view our DLC qualified products, please consult the DLC Qualified Products List at [www.designlights.org/qpl](http://www.designlights.org/qpl).

## Catalog Ordering Matrix Example: HB21000150

HB FAMILY	WATTS <sup>12</sup>	VOLTAGE	COLOR TEMPERATURE	OPTIONS
HB – LED Linear High Bay	105 – 13,500 Lumens 150 – 18,500 Lumens 210 – 27,500 Lumens	001 – 120-277V 002 – 347-480V	40 – 4000K 50 – 5000K	(see below)

<sup>1</sup> Actual wattage may differ by +/- 10%.

<sup>2</sup> Approximate lumen output. Actual performance may vary based on CCT, options selected and end user application.

**MOTION SENSOR**  
LS1 – Factory Installed Motion Sensor

**REPLACEMENT LENS PANELS**  
OT00040 – Replacement Lens Panels for HB10500150 & HB15000150 (available separately)

OT00040A – Replacement Lens Panels for HB21000150 (available separately)

**EMERGENCY BACK-UP**  
B – Battery back-up

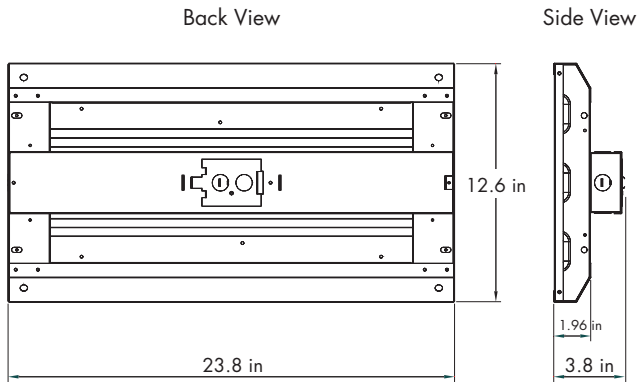
**WIRE GUARDS**  
OT00039 – Wire Guard for HB10500150 & HB15000150 (available separately)

OT00039A – Wire Guard for HB21000150 (available separately)

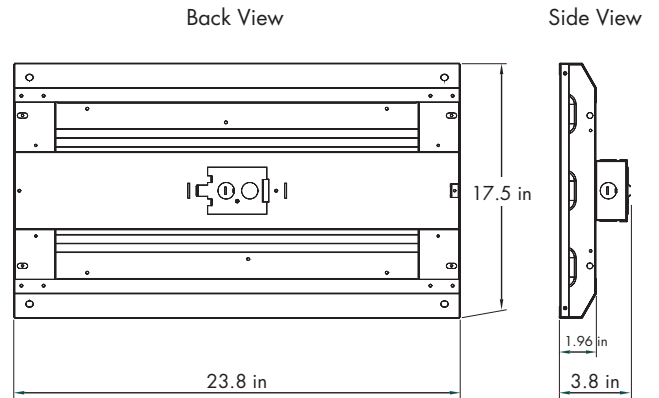
**MOTION SENSOR** (Sold separately)

GYZJ00001 – Quick Snap Motion Sensor (available pre-assembled or in box)

### Dimensions



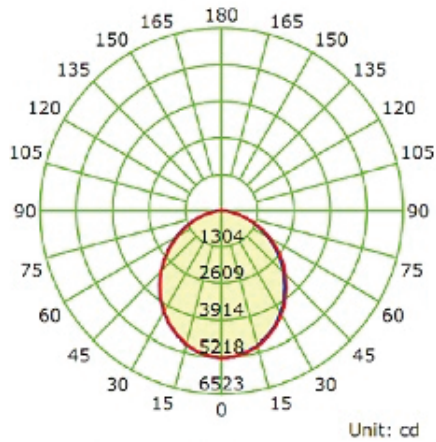
**HB105 and HB150**  
(23.8 x 12.6 inches)



**HB210**  
(23.8 x 17.5 inches)

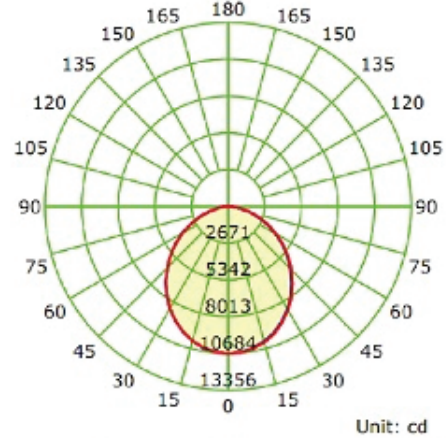
### Photometric Report

#### HB10500150



	C0/180	C45/225	C90/270	C135/315	AVG.
Beam Angle (50% I <sub>max</sub> ):	102.9	103.2	103.8	103.2	103.3
Field Angle (10% I <sub>max</sub> ):	157.1	157.1	157.0	157.0	157.1

#### HB21000150



	C0/180	C45/225	C90/270	C135/315	AVG.
Beam Angle (50% I <sub>max</sub> ):	102.8	103.0	103.3	102.9	103.0
Field Angle (10% I <sub>max</sub> ):	157.1	157.1	157.1	157.2	157.1

Specifications and dimensions subject to change without notice.