

# Precision Lighting & Transformer, Inc

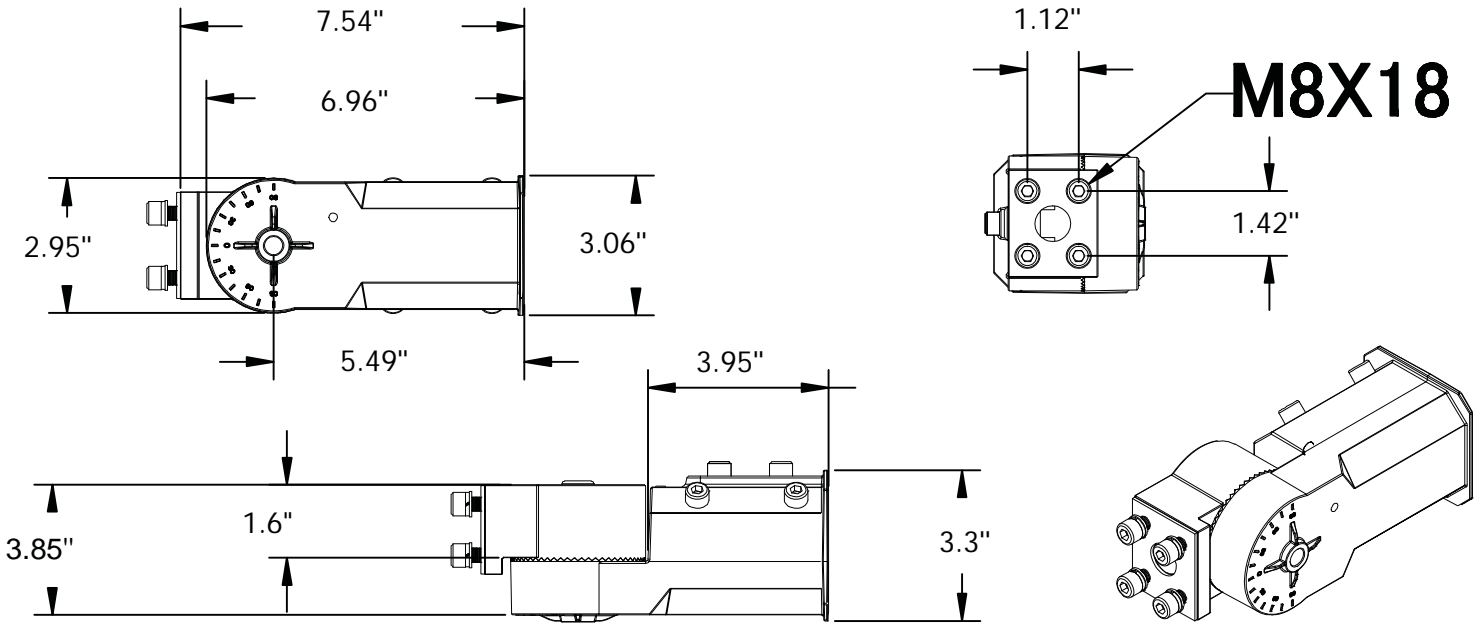


Picture	Type	Specification	
	<p><b>A</b></p>	<p>Aluminum: ADC12            SIZE: 7.54" x 3.06"</p>	
	<p><b>B</b></p>	<p>Aluminum: ADC12            SIZE: 6.65" x 5.57" x2.2"</p>	
	<p><b>C</b></p>	<p>Aluminum: ADC12            SIZE: 6.84" x 5.57" x2.2"</p>	
	<p><b>D</b></p>	<p>Aluminum: ADC12            SIZE: 6.69" x 4.72"</p>	
 <p><b>A-Slip Fitter</b></p>	 <p><b>B- Mounting Arm for Square Pole</b></p>	 <p><b>C- Mounting Arm for Round Pole</b></p>	 <p><b>D- Trunnion for Wall Mount</b></p>

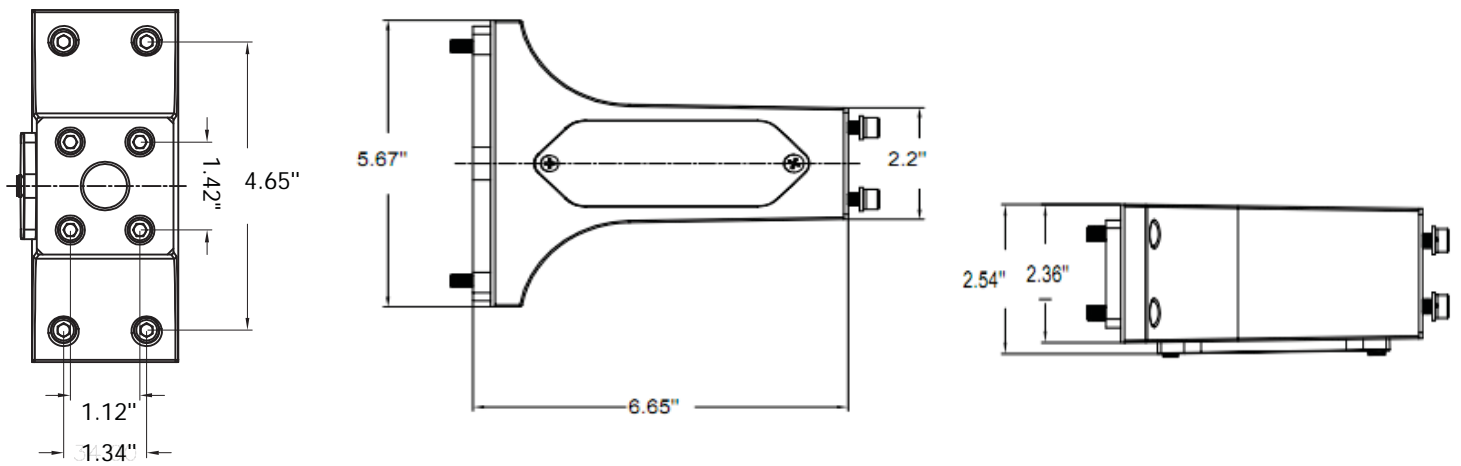
# Precision Lighting & Transformer, Inc



## A- Slip Fitter (STANDARD MOUNTING ARM)



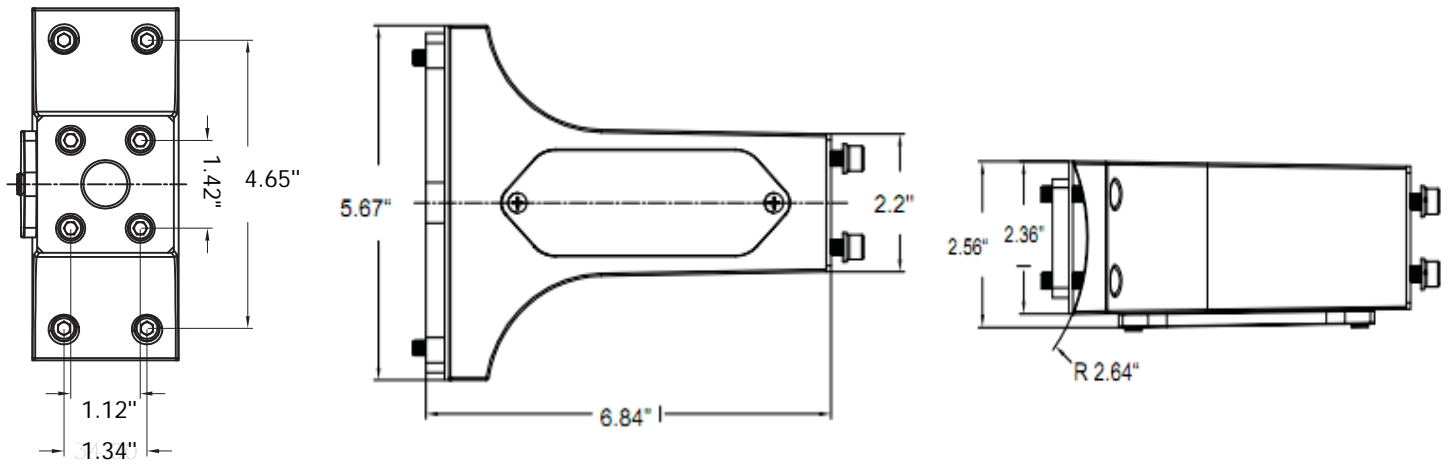
## B- Mounting Arm for Square Pole



# Precision Lighting & Transformer, Inc



C- Mounting Arm for Round Pole



D- Trunnion for Wall Mount

