

# Precision Lighting & Transformer, Inc

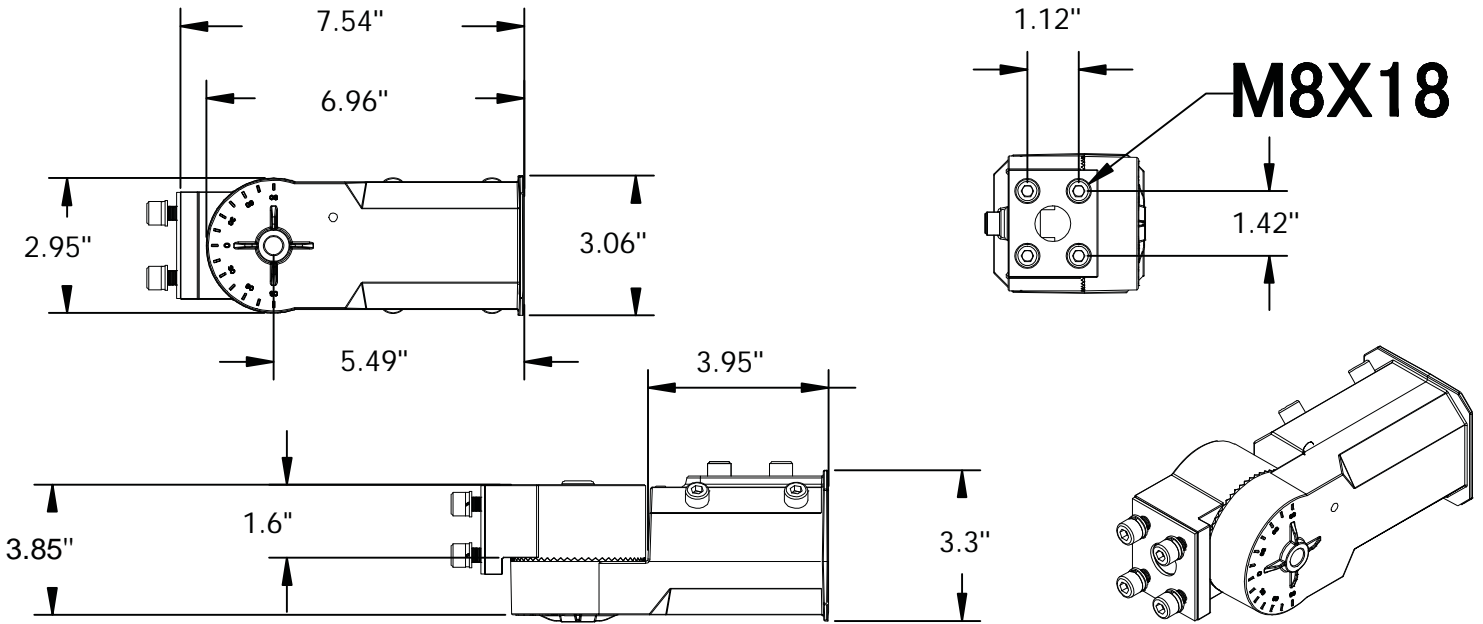


Picture	Type	Specification	
	A	Aluminum: ADC12 SIZE: 7.54" x 3.06"	
	B	Aluminum: ADC12 SIZE: 6.65" x 5.57" x2.2"	
	C	Aluminum: ADC12 SIZE: 6.84" x 5.57" x2.2"	
	D	Aluminum: ADC12 SIZE: 6.69" x 4.72"	
			
<p>A-Slip Fitter</p>	<p>B- Mounting Arm for Square Pole</p>	<p>C- Mounting Arm for Round Pole</p>	<p>D- Trunnion for Wall Mount</p>

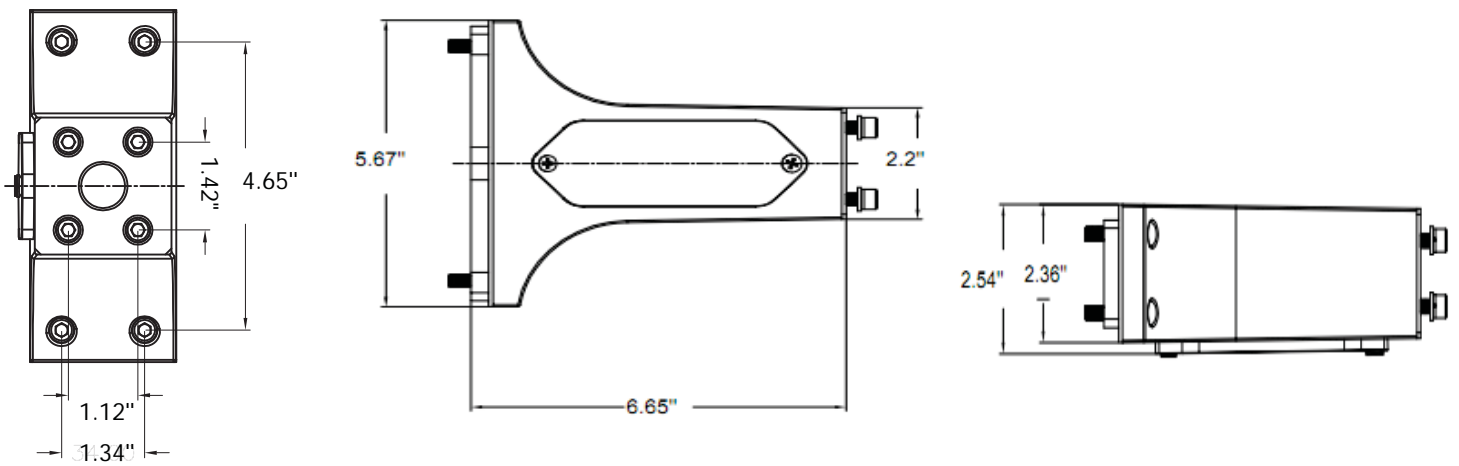
# Precision Lighting & Transformer, Inc



## A- Slip Fitter (STANDARD MOUNTING ARM)



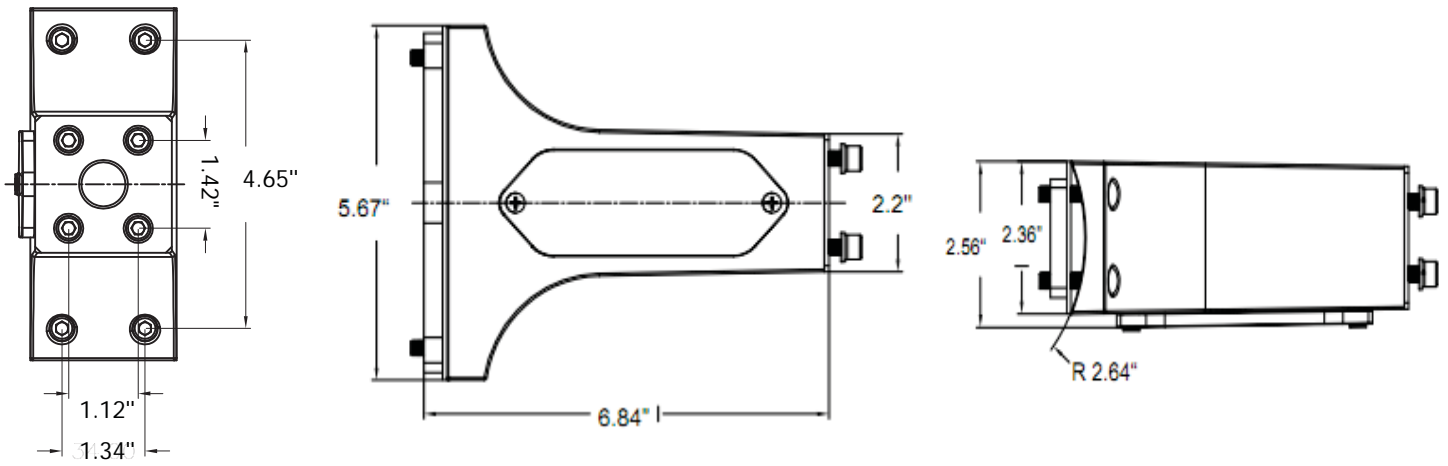
## B- Mounting Arm for Square Pole



# Precision Lighting & Transformer, Inc



C- Mounting Arm for Round Pole



D- Trunnion for Wall Mount

