

Precision Lighting & Transformer, Inc

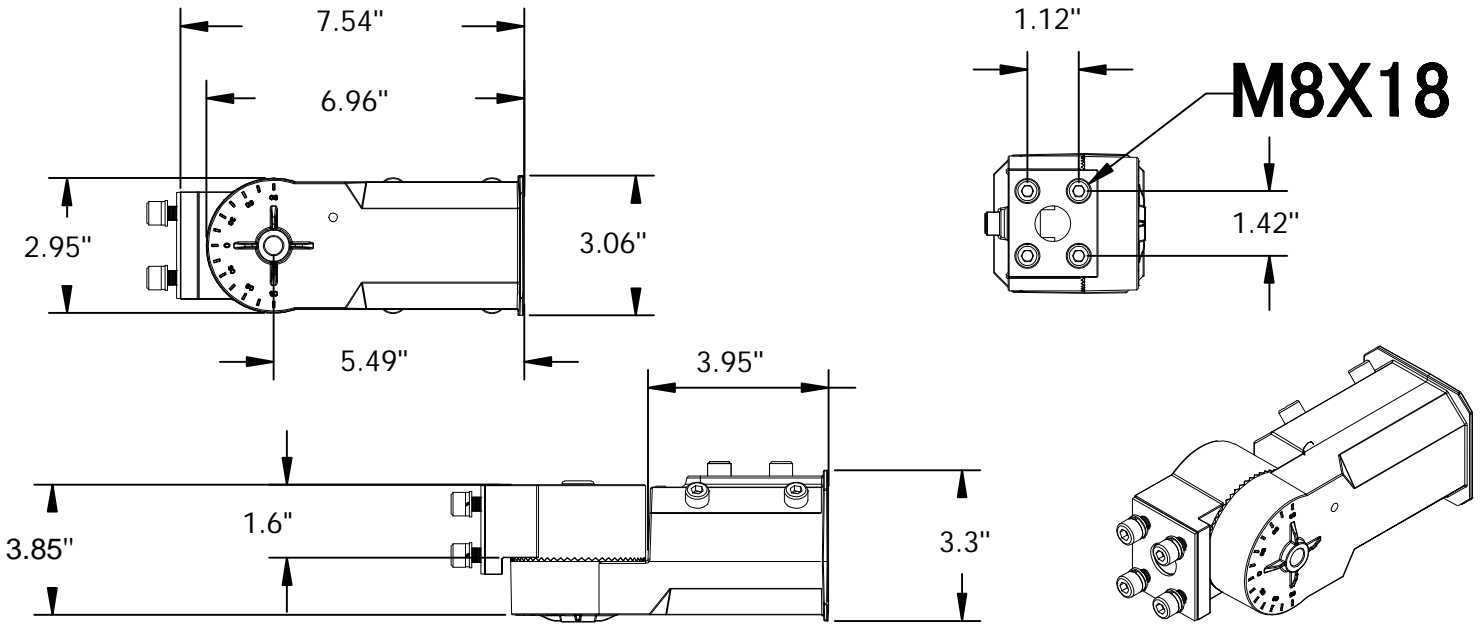


Picture	Type	Specification	
	<p>A</p>	<p>Aluminum: ADC12 SIZE: 7.54" x 3.06"</p>	
	<p>B</p>	<p>Aluminum: ADC12 SIZE: 6.65" x 5.57" x2.2"</p>	
	<p>C</p>	<p>Aluminum: ADC12 SIZE: 6.84" x 5.57" x2.2"</p>	
	<p>D</p>	<p>Aluminum: ADC12 SIZE: 6.69" x 4.72"</p>	
			
<p>A-Slip Fitter</p>	<p>B- Mounting Arm for Square Pole</p>	<p>C- Mounting Arm for Round Pole</p>	<p>D- Trunnion for Wall Mount</p>

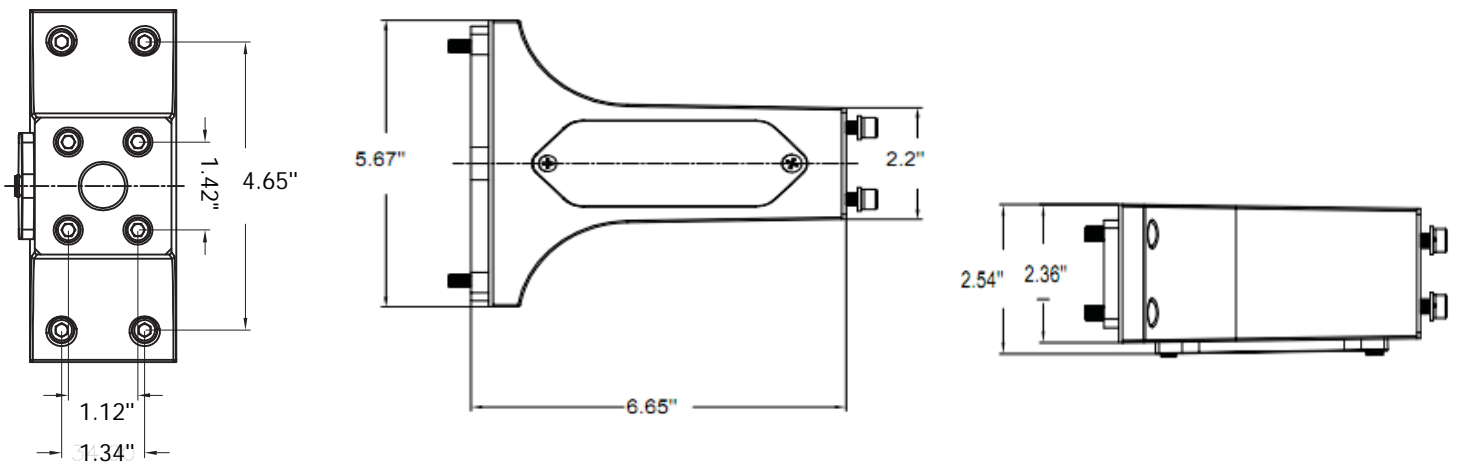
Precision Lighting & Transformer, Inc



A- Slip Fitter (STANDARD MOUNTING ARM)



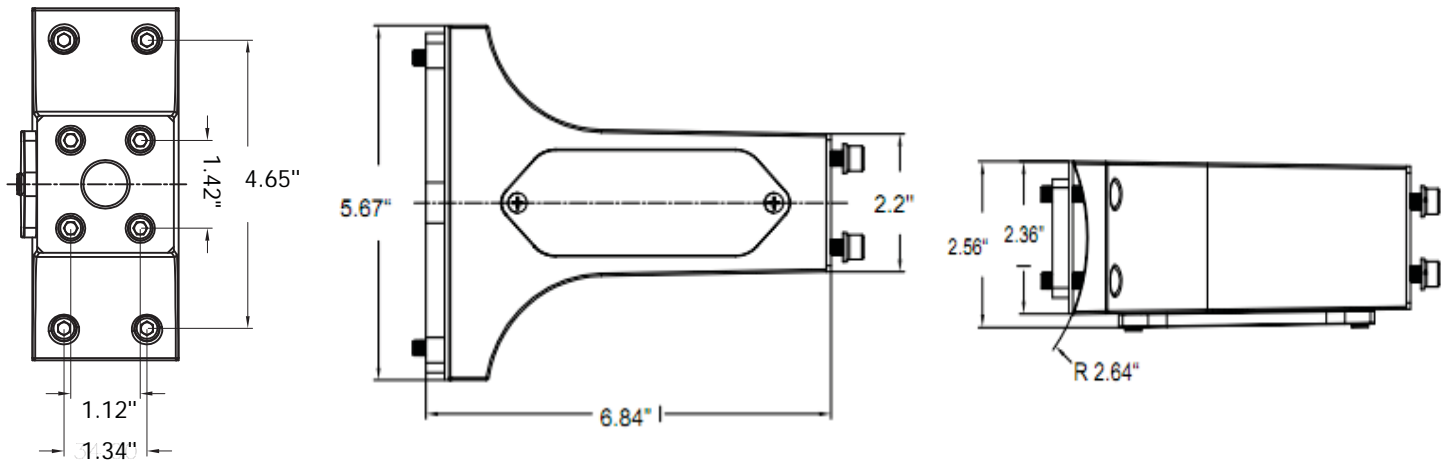
B- Mounting Arm for Square Pole



Precision Lighting & Transformer, Inc



C- Mounting Arm for Round Pole



D- Trunion for Wall Mount

