

# Precision Lighting & Transformer, Inc

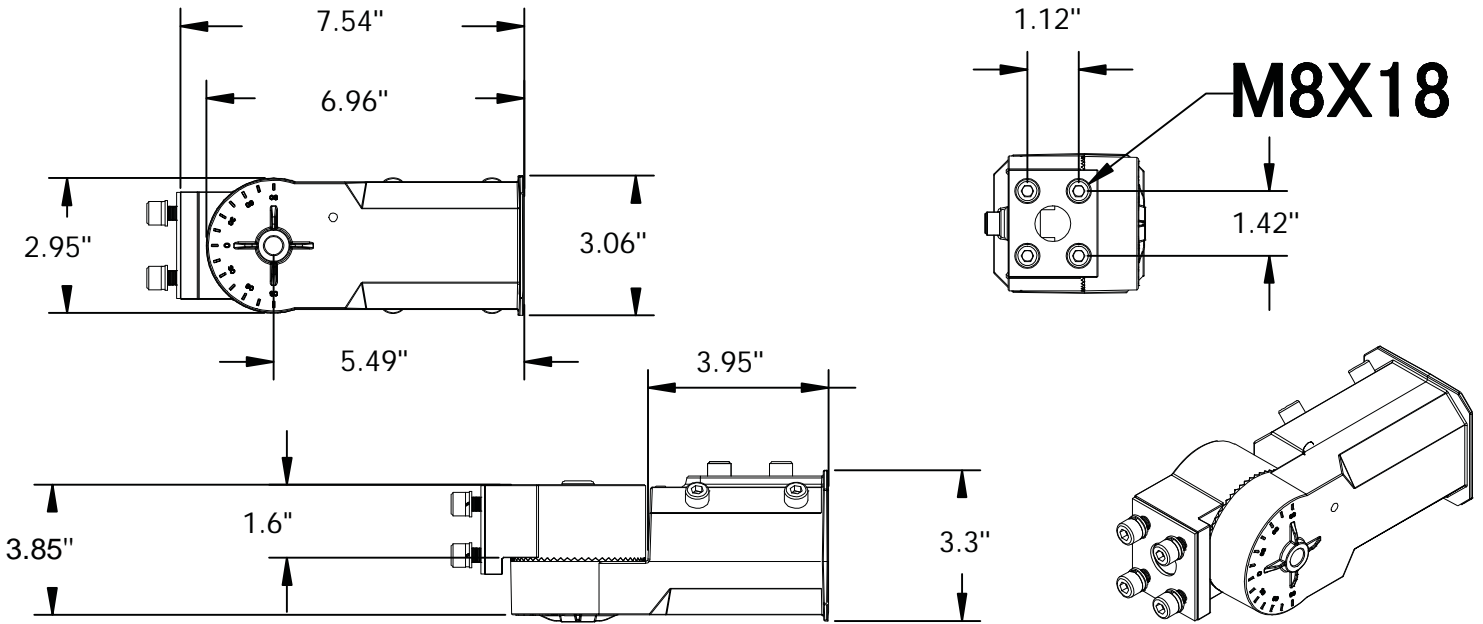


Picture	Type	Specification
	A	Aluminum: ADC12 SIZE: 7.54" x 3.06"
	B	Aluminum: ADC12 SIZE: 6.65" x 5.57" x2.2"
	C	Aluminum: ADC12 SIZE: 6.84" x 5.57" x2.2"
	D	Aluminum: ADC12 SIZE: 6.69" x 4.72"
<div style="display: flex; justify-content: space-around; align-items: flex-end;"> <div style="text-align: center;">  <p>A-Slip Fitter</p> </div> <div style="text-align: center;">  <p>B- Mounting Arm for Square Pole</p> </div> <div style="text-align: center;">  <p>C- Mounting Arm for Round Pole</p> </div> <div style="text-align: center;">  <p>D- Trunnion for Wall Mount</p> </div> </div>		

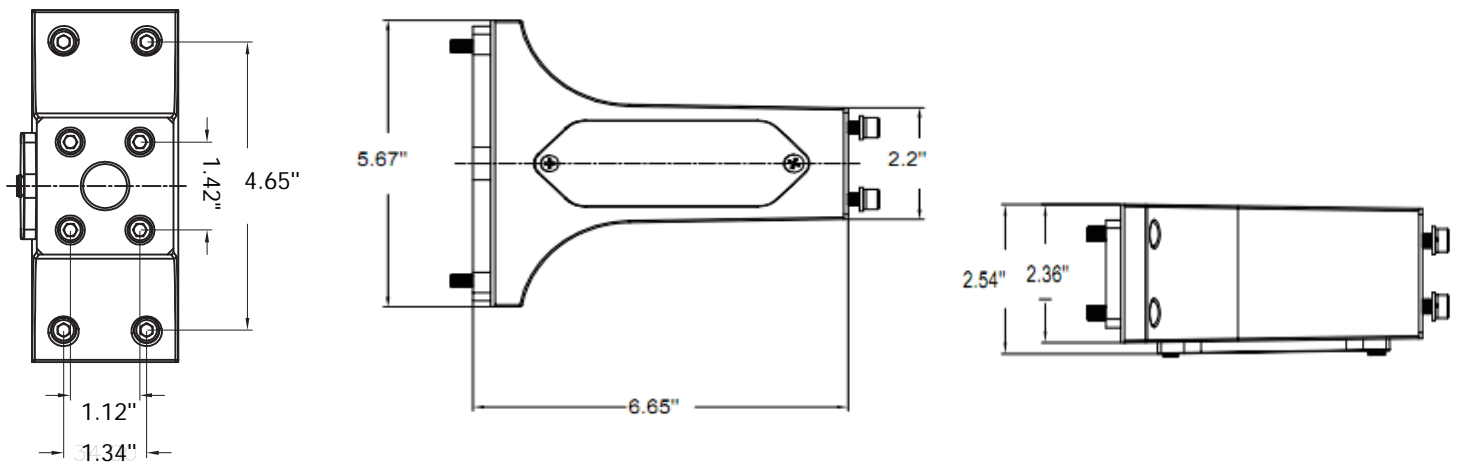
# Precision Lighting & Transformer, Inc



## A- Slip Fitter (STANDARD MOUNTING ARM)



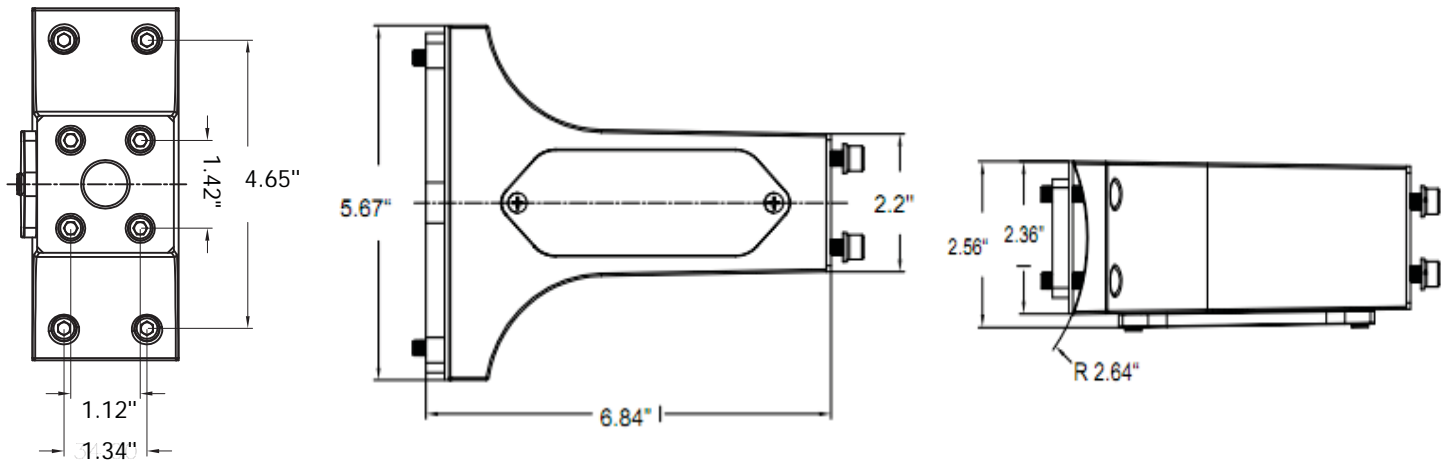
## B- Mounting Arm for Square Pole



# Precision Lighting & Transformer, Inc



C- Mounting Arm for Round Pole



D- Trunnion for Wall Mount

