

Touch Dimming Low Voltage Hardwire Electronic Transformers



Features:

- Touch Dimming
- High Reliability
- 4 Dimming Levels and Off
- Touch Metal Can Be Any Size
- Unaffected by Power Fluctuation or Outage
- 100% Factory Tested
- Emits No Audible Noise
- UL Recognized, Class 2
- Custom Designs to OEM Specifications Available
- Light Weight and Compact Designs
- Moisture and Shock Resistant
- Electronic Short Circuit Protection
- High Power Factor
- Low Profile
- 100% Factory Tested

Environmental Specifications

Maximum Operating Case Temperature	75° C
Sound Rating	A+
Operating Humidity	95% relative humidity, non-condensating
Environmental Protection	Epoxy Sealed for moisture resistance

NO PCBs

Soft Start Circuitry

All models of Hatch low-voltage transformers utilize a soft start circuitry to maximize lamp life. The soft start circuit ramps up the the lamp filament voltage slowly when the lamp is cold.

Electronic Short-Circuit Protection

All Hatch low-voltage transformers employ our (ESP) Electronic Short Circuit and over load Protection. The ESP sensing circuit will instantly shut down the output before any of the components are stressed if a short circuit or over load is detected. The transformer will automatically reset as soon as the short is corrected.

Electrical/Mechanical Specifications

Enclosure Material	UL recognized, flame retardant, high temperature, engineering resin	Safety Standard	UL Recognized (Class 2 up to 60W) C-UL Recognized/UL Listed
Color	Black	Input Leads	6" 18AWG 105°C, Stripped, 3/8" Tinned (TS12-60S) 13' STP-2 with 2 prong plug - black (TS12-60SC)
Weight	5 oz.	Output Leads	6" 18AWG 105°C, Stripped, 3/8" Tinned (TS12-60S) 6" STP-2 with 6 position connector to accept Amp mini Mate-N-Lok connectors (TS12-60SC)
Power Factor	>.95	Touch Sense Lead	Blue 4' 18 AWG 105°C with Round Lug Terminal (TS12-60S) & (TS12-60SC)
Operating Frequency	25 KHz		
Total Harmonic Distortion	≤ 20%		

This award winning unit combines a state-of-the-art IC chip with Hatch's proven electronic transformer technology. The unit features a five step dimmer which includes four dimming levels (night light -9%, mood light -29%, medium -66%, maximum -100%) and off. The touch sense wire can be connected to metal objects of any size and will change the dimming level based on capacitive change caused by touching the metal. This unit eliminates nuisance turn on as it will not power up by itself if a low line voltage or a power outage is experienced. It will only turn on, off or dim based on the human interaction with the touch sense metal object. This unit is ideal for furniture, under cabinet, task lamp as well as many other low voltage halogen applications.

120 Volt Primary

MODEL	OUTPUT VOLTAGE	OUTPUT WATTAGE	INPUT CURRENT(A)	OUTPUT CURRENT(A)	SAFETY LISTING
TS12-60S	11.5	60	0.53	5.2	UL Recognized Class 2 C-UR
TS12-60SHH	11.5	60	0.53	5.2	UL Listed Class 2 C-UL

HATCH
TRANSFORMERS, INC.

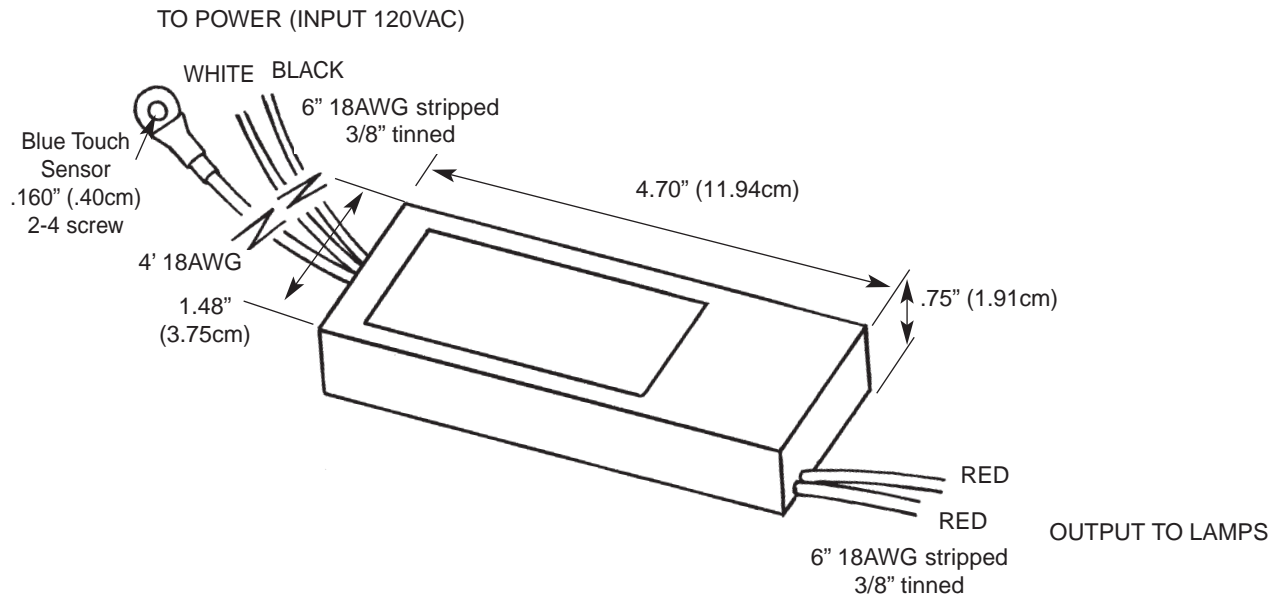
Electronic Transformers and Ballasts
for the Lighting Industry

Warranty length and conditions -
(5) years. Maximum case temperature 80°C

*Specifications subject to change without notice
© 10/00 Hatch Transformers, Inc.

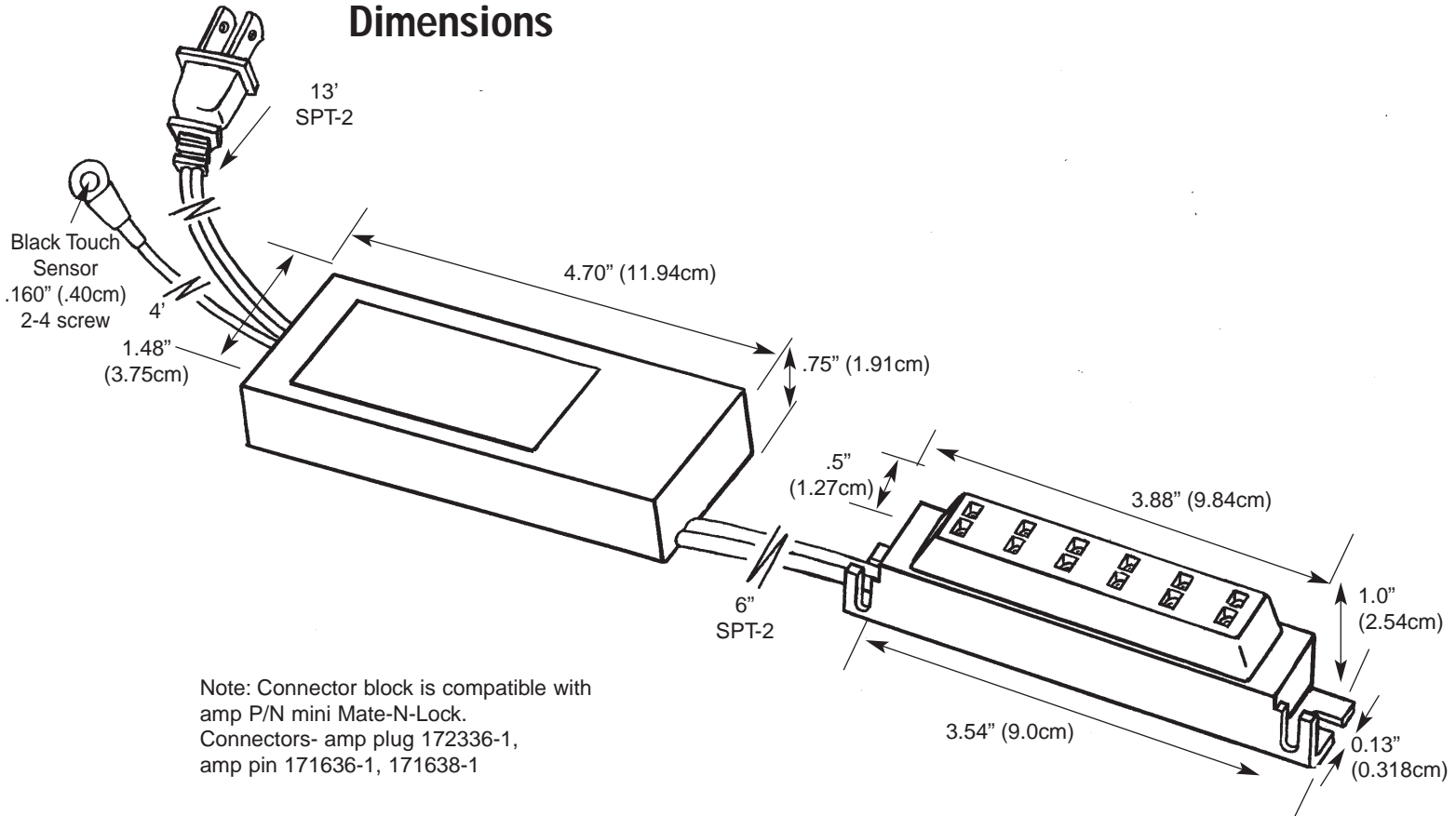
Low Voltage Hardwire Electronic Transformers

TS 12-60S



TS 12-60SHH

Dimensions



HATCH
TRANSFORMERS, INC.

Electronic Transformers and Ballasts
for the Lighting Industry

*Specifications subject to change without notice
© 10/00 Hatch Transformers, Inc.